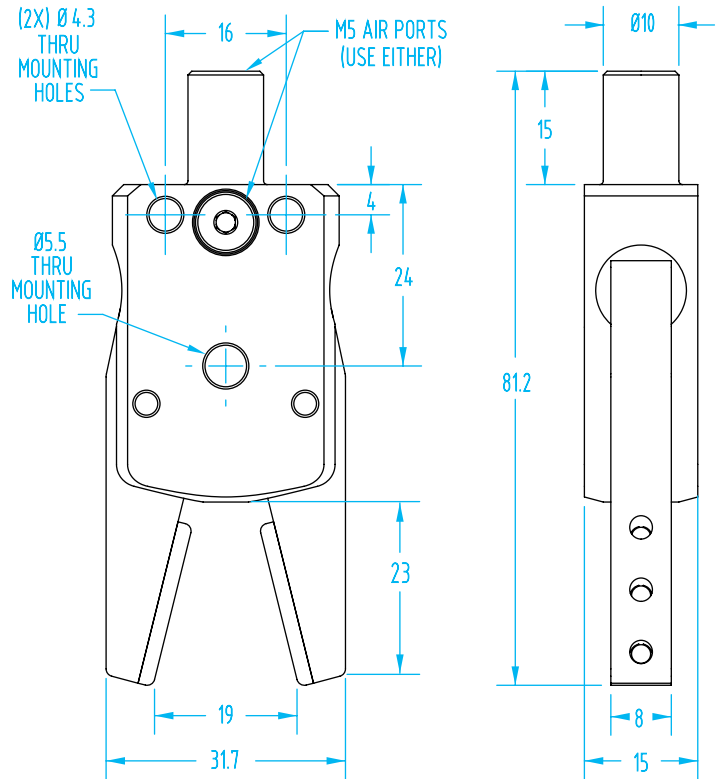
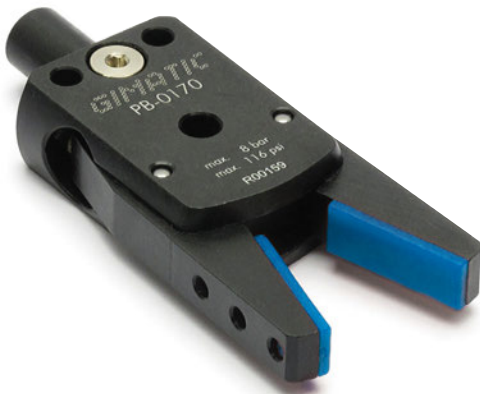


Mini Sprue Gripper with HNBR Padded Jaws – PB-0170

(Dimensioned drawings shown full scale)



- Non-marking HNBR pads have a maximum temperature of 302°F.
- Angular, non-self-centering.
- Higher grip force than other similarly sized sprue grippers.
- Ø10mm diameter mounting post with M5 air ports allows this gripper to be used with standard mounting and air connection components.
- Replacement parts available online.

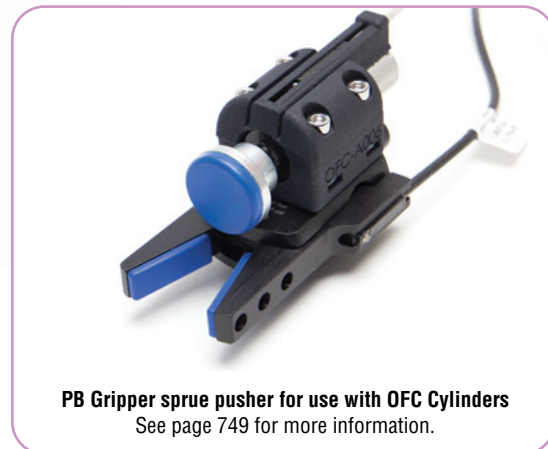
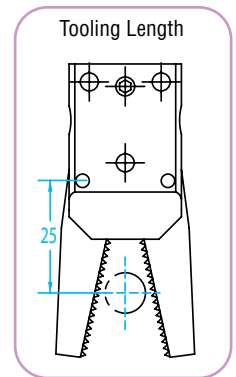


Quick#	Part#	Price	Style	Applicable Sprue Ø	Closing Force at 25mm Tooling Length*	Weight
7119	PB-0170	\$132.00	HNBR Rubber Pads	3–9mm	11.0 lbf	50g

* The Closing Force listed is both jaws combined when supplied at 87psi. Tooling length is measured from jaw pivot point.

Replacement Pads - priced each

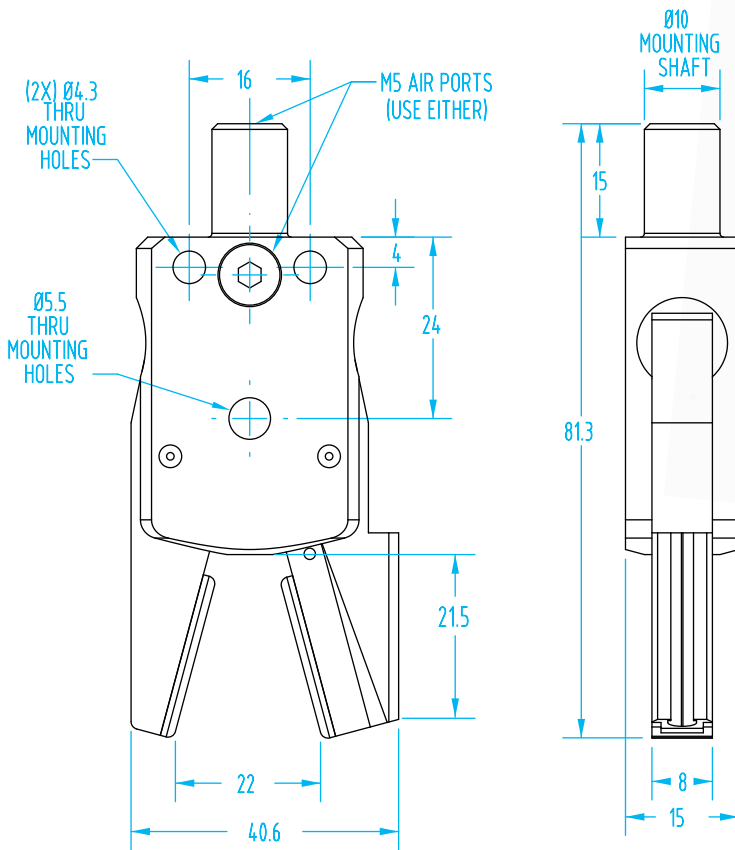
Quick#	Part#	Description	Price
7484	PB-0170-05	New Style HNBR, 22 x 8mm, 2mm thickness	\$5.50
7627	PB-0170-05F	New Style Flocked, 22 x 8mm, 2mm thickness	\$8.39
7519	KIT3-PB0170	Kit includes 2 New Style & 2 Old Style HNBR Pads 22 x 8mm, 2mm thickness	\$10.27



PB Gripper sprue pusher for use with OFC Cylinders
See page 749 for more information.

Mini Sprue Gripper with Padded Jaws & Sensor Finger – PB-0187

(Dimensioned drawings shown full scale)



The Original!



- Unreliable sensing may occur if the part being gripped has a thickness less than 3mm.
- Correct sensor location in the slot is important for proper operation.
- Replacement parts available online.

Quick#	Part#	Price	Style	Applicable Sprue Ø	Closing Force at 25mm Tooling Length*	Weight
7250	PB-0187-S	\$165.00	HNBR Pads & Sprue Detect	3–9mm	11.0 lbf	60g
Order sensors separately See Sensor Reference Guide on page 1008 for a complete list of sensors for PB Grippers.						
1882	SS4N225G	\$27.20	PNP sensor		with lead, 2.5m long	6–24vdc
6282	SS3N203G	\$31.16	PNP sensor		M8 male connector, 0.3m long**	6–24vdc
1883	SS4M225G	\$27.20	NPN sensor		with lead, 2.5m long	6–24vdc
1884	SS3M203G	\$31.16	NPN sensor		M8 male connector, 0.3m long**	6–24vdc

Note: 2-wire reed sensors are not recommended for grippers.

* The Closing Force listed is both jaws combined when supplied at 87psi. Tooling length is measured from jaw pivot point.

** M8 Extension cables Quick#'s 2582 & 2583 available on page 985.

Replacement Pads - priced each

Quick#	Part#	Description	Price
7484	PB-0170-05	1x, New Style HNBR, 22 x 8mm, 2mm thickness	\$5.50
7627	PB-0170-05F	1x New Style Flocked, 22 x 8mm, 2mm thickness	\$8.39
7519	KIT3-PB0170	Kit includes 2 New Style & 2 Old Style HNBR Pads 22 x 8mm, 2mm thickness	\$10.27

Many custom pad options and materials are available from EMI's 3D Printing Department. High temperature, Non-Marking, Flocked, Super Soft Touch, Fiber reinforced, and more.

