

Original Style Mini Sprue Gripper with Sensor Jaw – PB-0013

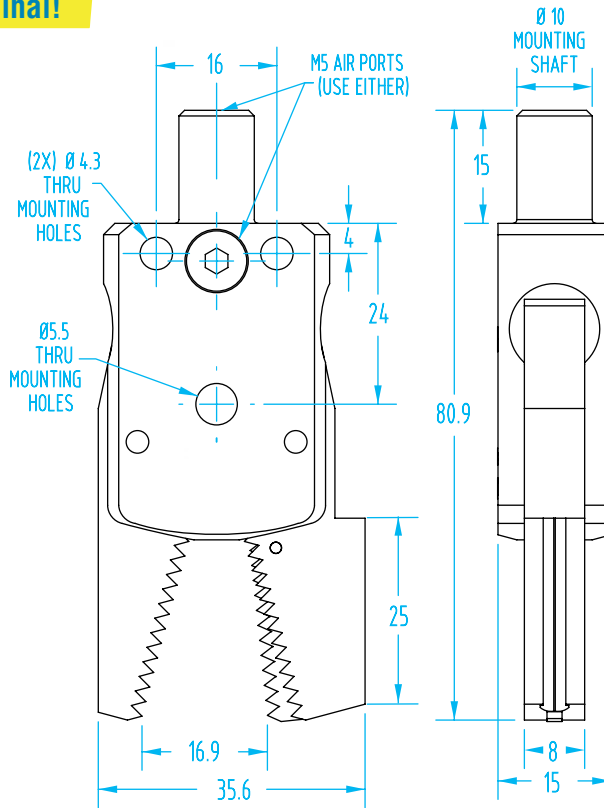
(Dimensioned drawings shown full scale)

The Original!

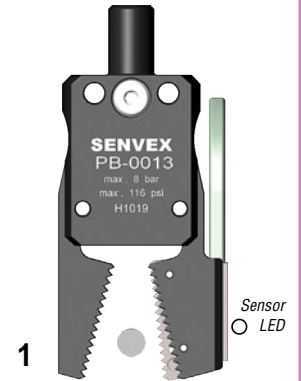


#1878
\$113.00

- **Simple, easy sensing.** A single sensor mounted on the finger confirms 'sprue gripped' and eliminates the 'hide and seek' process of sensor set-up.
- Steel trigger is longer lasting and has a higher temperature range than the previous red plastic finger.
- Higher grip force than other similarly sized sprue grippers.
- Serrated fingers hold small and medium sprues firmly.
- Ø10mm diameter mounting post with M5 air port allows this gripper to be used with standard mounting and air connection components. Alternate M5 air port on front of gripper can be used.



SPRUE SENSING



1
Sprue gripper is OPEN; and ready to grip sprue. The red spring loaded lever arm is open. The sensor circuit is 'open.'



2
Sprue gripper is CLOSED; and gripping the sprue. Pressure from the sprue deflects the metal spring loaded lever arm into the gripper finger. The close proximity of the lever arm to the sensor closes the circuit, illuminates the LED, and indicates that the sprue is gripped.



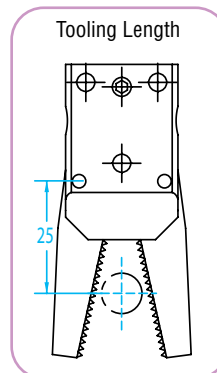
3
Sprue gripper is CLOSED; and missing the sprue. The metal spring loaded lever arm remains in its open position although the gripper is closed.

Quick#	Part#	Price	Style	Applicable Sprue Ø	Closing Force at 25mm Tooling Length*	Weight
1878	GSG-PB-0013S	\$113.00	w/ Sensor Trigger	3–9mm	14.5 lbf	48g
Order sensors separately See Sensor Reference Guide on page 1008 for a complete list of sensors for PB Grippers.						
1882	SS4N225G	\$27.20	PNP sensor	with lead, 2.5m long		6–24vdc
6282	SS3N203G	\$31.16	PNP sensor	M8 male connector, 0.3m long**		6–24vdc
1883	SS4M225G	\$27.20	NPN sensor	with lead, 2.5m long		6–24vdc
1884	SS3M203G	\$31.16	NPN sensor	M8 male connector, 0.3m long**		6–24vdc

Note: 2-wire reed sensors are not recommended for grippers.

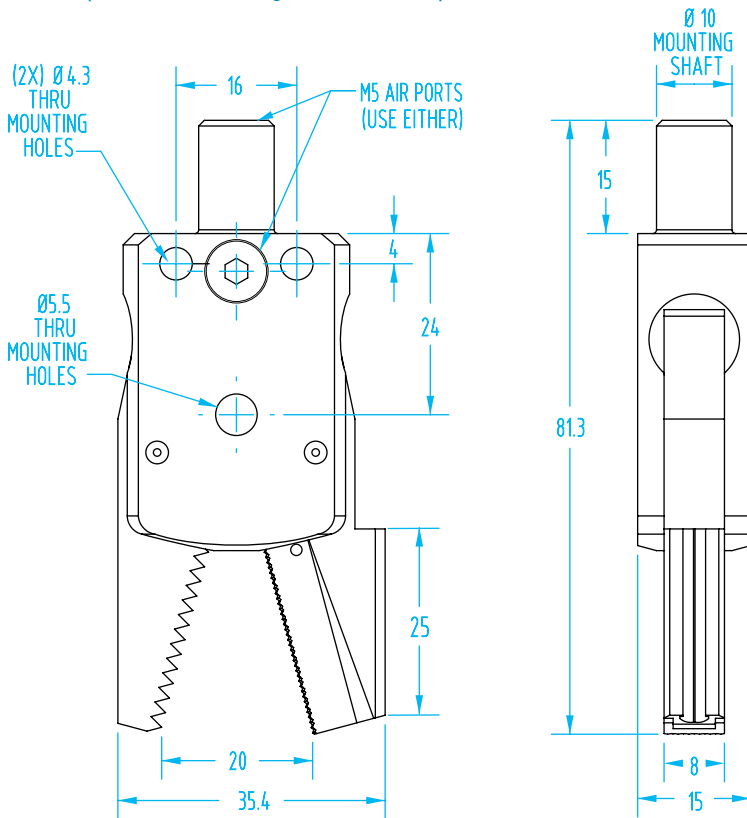
* The Closing Force listed is both jaws combined when supplied at 87psi. Tooling length is measured from jaw pivot point.

(**) M8 Extension cables Quick#s 2582 & 2583 available on page 987.



Original Style Sprue Gripper with Steel Sensor Finger – PB

(Dimensioned drawings shown full scale)



The Original!



#6988
\$148.00



#6999
\$158.00

Quick#	Part#	Price	Jaw Style	Applicable Sprue Ø	Closing Force at 25mm Tooling Length*	Weight
6988	PB-0180-S	\$148.00	Aluminum Jaw w/ Sprue Detect	3–9mm	14.5 lbf	60g
6999	PB-0181-S	\$158.00	Steel Jaw w/ Sprue Detect	3–9mm	14.5 lbf	75g
7287	PB-0182-S	\$155.00	Steel Saw Jaw w/ Sprue Detect	3–9mm	11.0 lbf	75g
Order sensors separately See Sensor Reference Guide on page 1008 for a complete list of sensors for PB Grippers.						
1882	SS4N225G	\$27.20	PNP sensor	with lead, 2.5m long		6–24vdc
6282	SS3N203G	\$31.16	PNP sensor	M8 male connector, 0.3m long**		6–24vdc
1883	SS4M225G	\$27.20	NPN sensor	with lead, 2.5m long		6–24vdc
1884	SS3M203G	\$31.16	NPN sensor	M8 male connector, 0.3m long**		6–24vdc

- Piston bore: 12mm
- Single-acting with protected opening spring
- Sensor on the jaw (purchase separately)
- Steel sensor finger
- Dimensional drawing for the Saw Jaw, Quick# 7287 can be found online.

Note: 2-wire reed sensors are not recommended for grippers.

* The Closing Force listed is both jaws combined when supplied at 87psi. Tooling length is measured from jaw pivot point.

** M8 Extension cables Quick#s 2582 & 2583 available on page 985.



Replacement Parts for Gimatic and Senvex components are available on EMICorp.com
Fingers, Pistons, O-rings, and more!



#7287
\$155.00