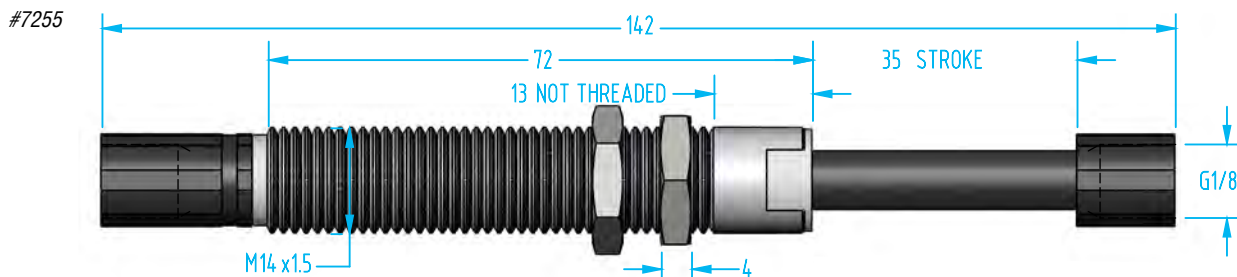
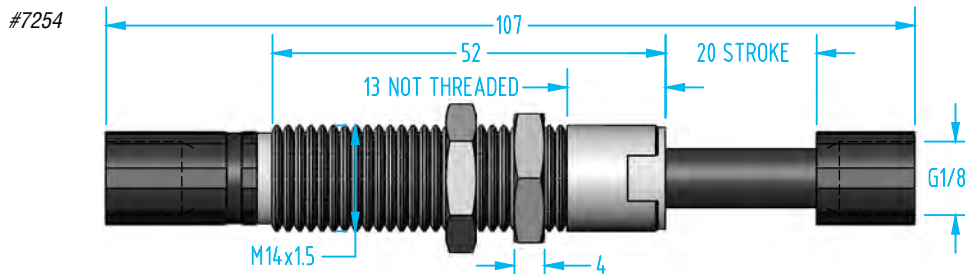
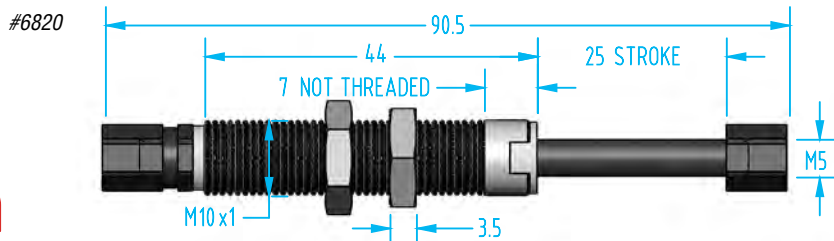
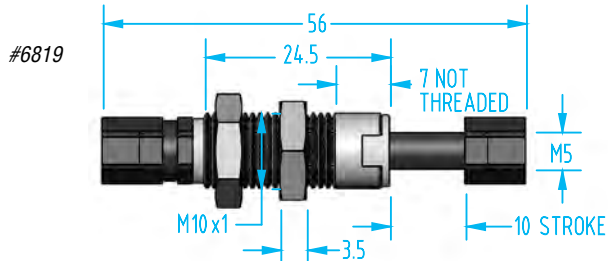
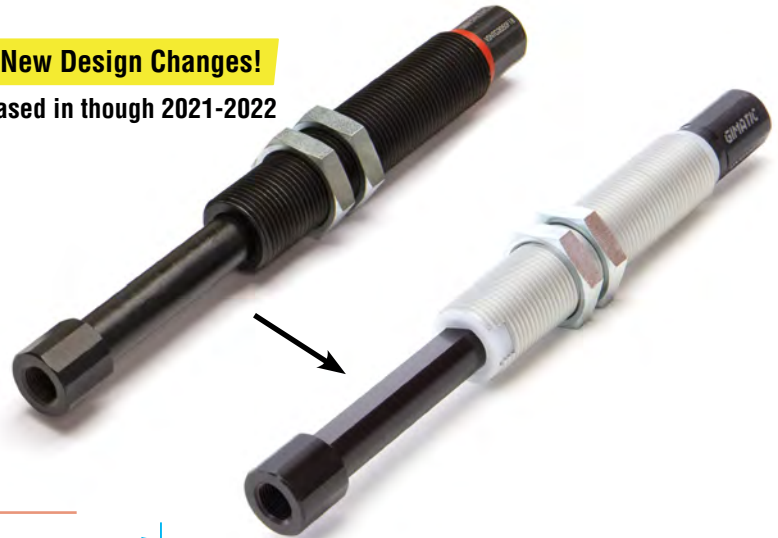


# Non-Rotating Suspensions – VSNTG

(Dimensioned drawings shown full scale)

- Body and rod are made of anodized aluminum.
- High-load capability
- Threaded body
- FDA-H1 food-grade lubricant.
- We recommend using an appropriately sized lock washer with threaded suspensions, see page 288.

**New Design Changes!**  
**Phased in though 2021-2022**



New Bushing and shaft design provides more reliable compensation and a more robust vacuum connection. Check online product pages for current dimensional drawings and photos. [www.EMlcorp.com](http://www.EMlcorp.com) and search by Q#.

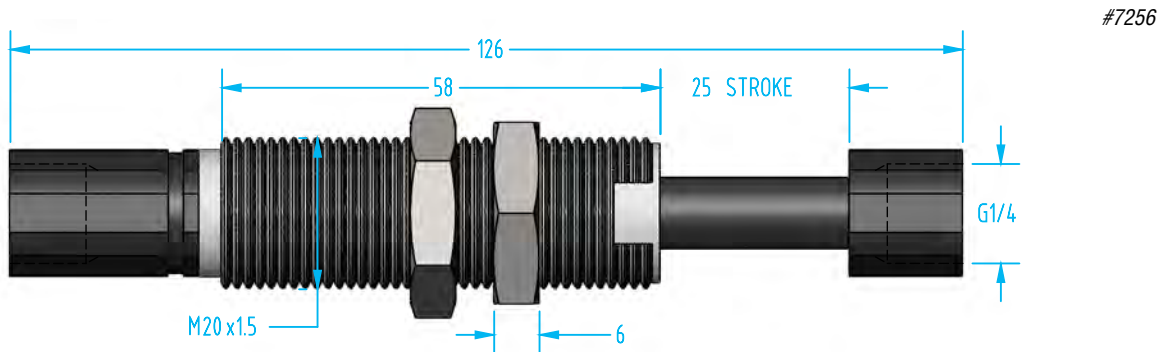
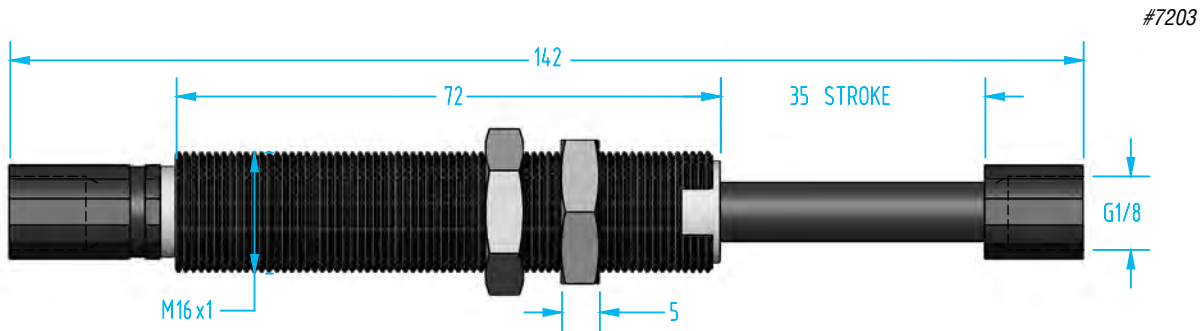
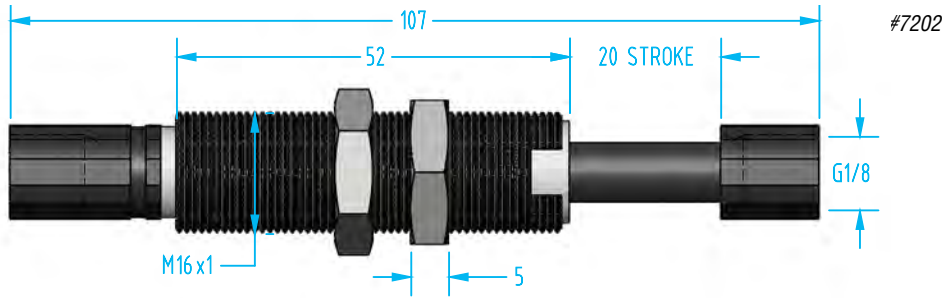
Quick#	Part#	Price	Air Port	ØD	Stroke	Wt.
6819	VSNTG-1010	\$27.60	M5	M10x1	10mm	7g
6820	VSNTG-1025	\$30.10	M5	M10x1	25mm	11g
7254	VSNTG-1420	\$38.00	G1/8"	M14x1.5	20mm	22g
7255	VSNTG-1435	\$44.00	G1/8"	M14x1.5	35mm	33g
7202	VSNTG-1620	\$38.80	G1/8"	M16x1	20mm	35g
7203	VSNTG-1635	\$44.00	G1/8"	M16x1	35mm	45g
7256	VSNTG-2025-F18	\$46.40	G1/8"	M20x1.5	25mm	54g
7257	VSNTG-2050-F18	\$49.00	G1/8"	M20x1.5	50mm	80g
7204	VSNTG-2025-F14	\$46.40	G1/4"	M20x1.5	25mm	65g
7205	VSNTG-2050-F14	\$49.00	G1/4"	M20x1.5	50mm	90g
7206	VSNTG-2540*	\$70.00	G3/8"	M25x1.5	40mm	170g
7207	VSNTG-2580*	\$89.00	G3/8"	M25x1.5	80mm	235g

\*Dimensional information available online.

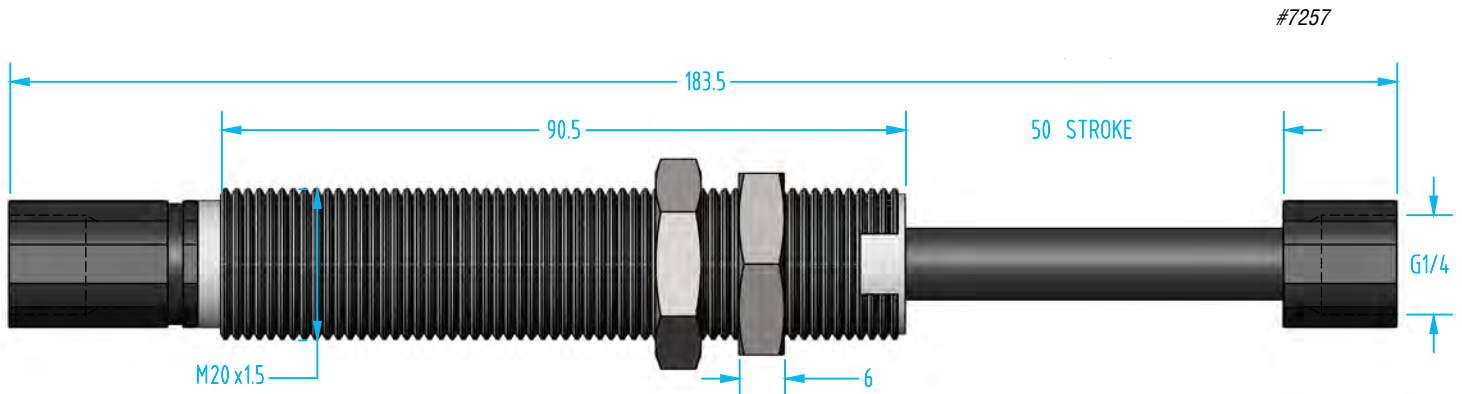


**Non-Rotating Suspensions – VSNTG**

(Dimensioned drawings shown full scale)



Note: Quick #7204 has the same dimensions except with G1/4" air ports



Note: Quick #7205 has the same dimensions except with G1/4" air ports