

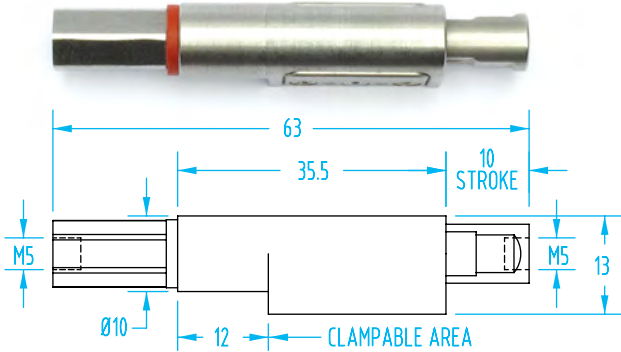
Non-Rotating Ball Bearing Suspensions – VVX

(Dimensioned drawings shown full scale)

- Body, rod and spring in stainless steel.
- Ball bearings for a smooth operation and exceptionally high load capability.
- Zero backlash
- FDA-H1 food-grade lubricant.

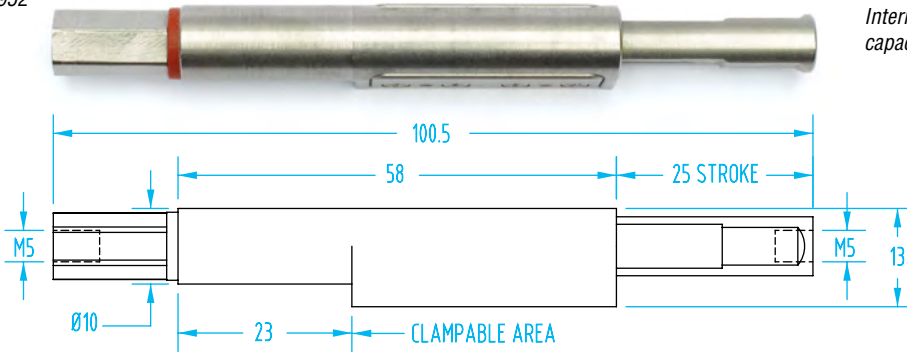


#6951

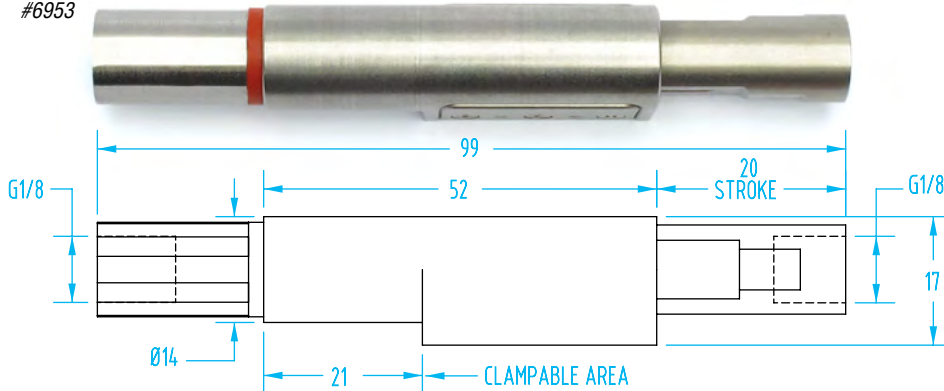


Internal spring and ball bearings for high load capacity and very smooth operation.

#6952



#6953



Fittings Available on page 1043



Mounting Brackets Available on page 248

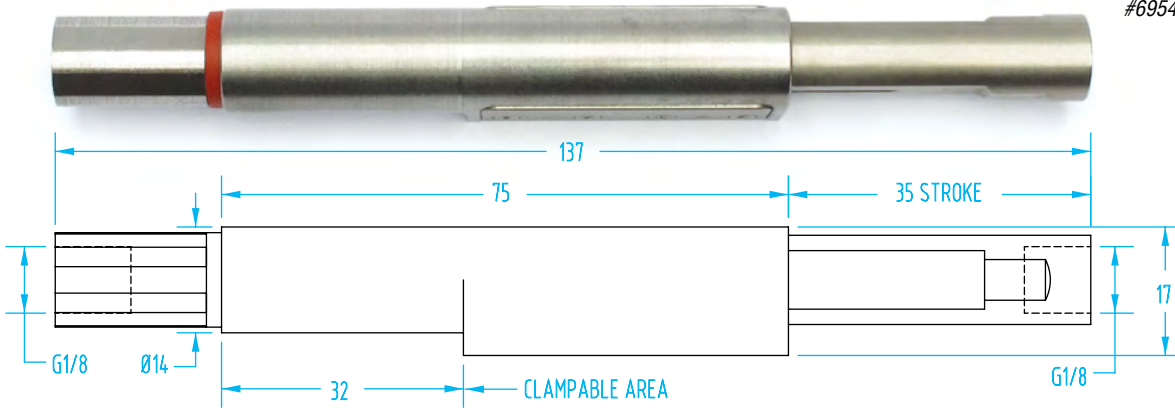


Quick#	Part#	Price	ØD	Air Port	Stroke	Wt.
6951	VVX1010F	\$188.00	10	M5	10mm	30g
6952	VVX1025F	\$192.00	10	M5	25mm	45g
6953	VVX1420F	\$214.00	14	G1/8"	20mm	80g
6954	VVX1435F	\$219.00	14	G1/8"	35mm	110g
6955	VVX2025F	\$227.00	20	G1/8"	25mm	150g
6956	VVX2050F	\$232.00	20	G1/8"	50mm	235g

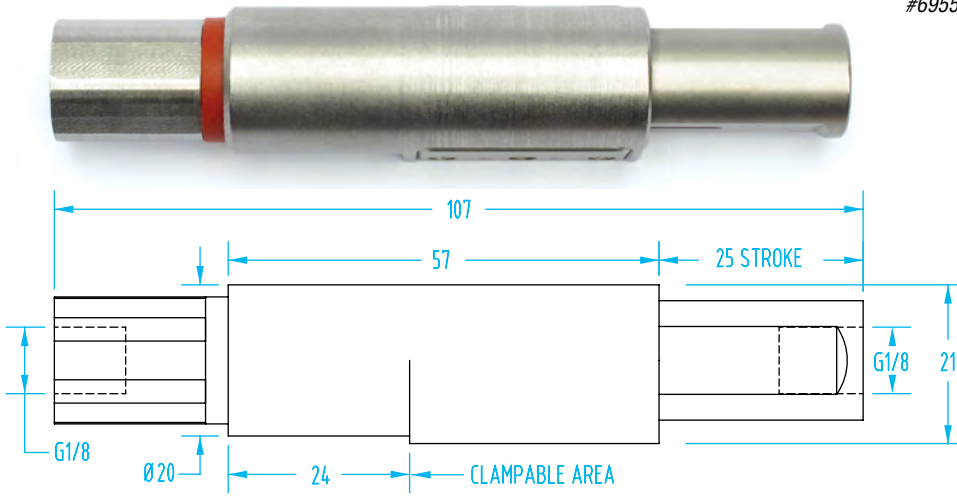
Non-Rotating Ball Bearing Suspensions – VVX

(Dimensioned drawings shown full scale)

#6954



#6955



#6956

