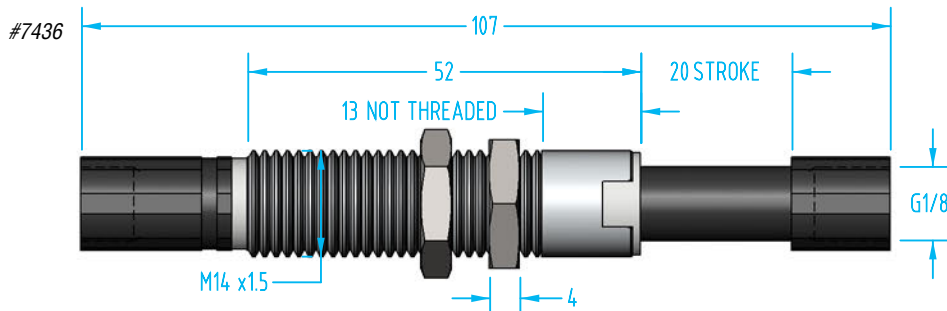
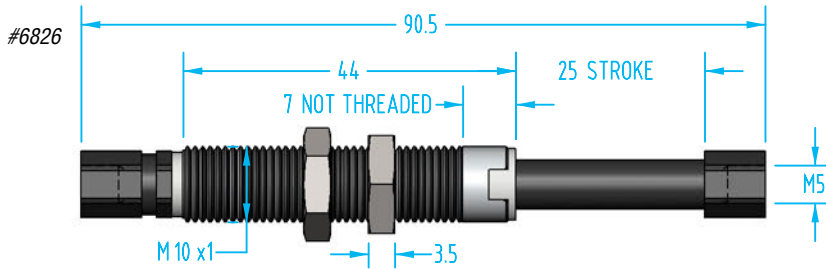
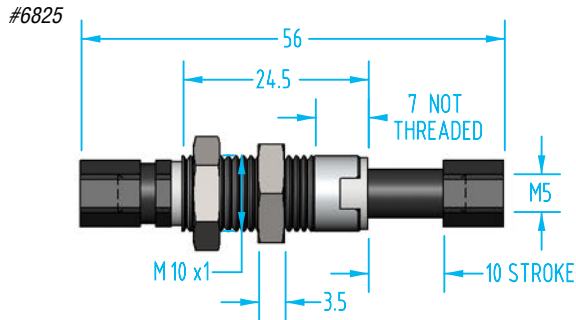


Rotating Suspensions – VSRT

(Dimensioned drawings shown full scale)

- Body and rod are made of anodized aluminum.
- High-load capability
- Threaded body
- We recommend using an appropriately sized lock washer with threaded body suspensions.
- New Bushing and shaft design provides more reliable compensation and a more robust vacuum connection.



Quick#	Part#	Price	Air Port	Mount	Stroke	Wt.
6825	VSRT1010	\$22.60	M5	M10x1	10mm	12g
6826	VSRT1025	\$26.30	M5	M10x1	25mm	16.5g
7436	VSRT1420	\$32.60	G1/8"	M14x1.5	20mm	37g
7437	VSRT1435	\$36.30	G1/8"	M14x1.5	35mm	47g
6827	VSRT1620	\$33.80	G1/8"	M16x1	20mm	46.5g
6828	VSRT1635	\$37.60	G1/8"	M16x1	35mm	58g
6829	VSRT2025F18	\$40.10	G1/8"	M20x1.5	25mm	85g
6830	VSRT2050F18	\$45.10	G1/8"	M20x1.5	50mm	110g
7784	VSRT2025F14	\$40.10	G1/4"	M20x1.5	25mm	82g
7785	VSRT2050F14	\$45.10	G1/4"	M20x1.5	50mm	111g
7788	VSRT2540*	\$64.40	G3/8"	M25x1.5	40mm	200g
7789	VSRT2580*	\$89.85	G3/8"	M25x1.5	80mm	271g

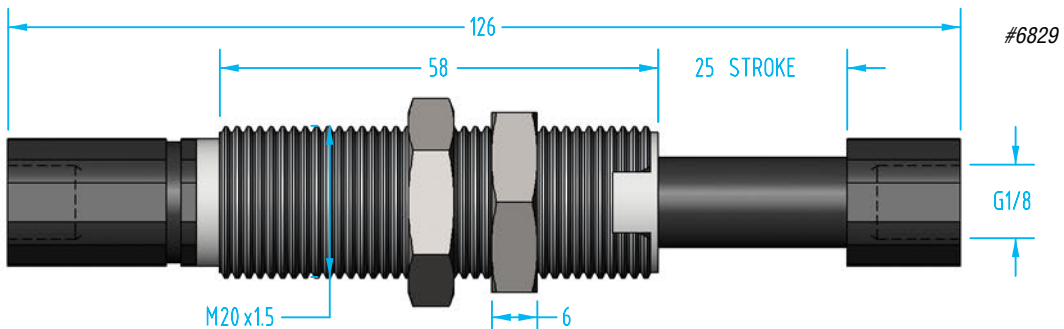
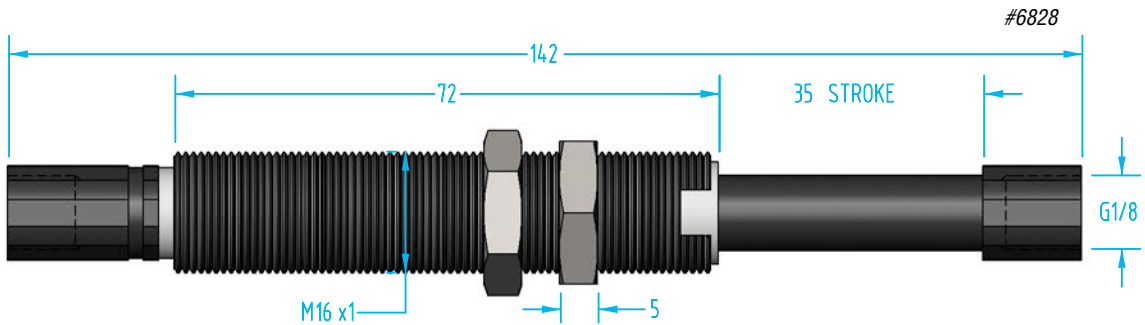
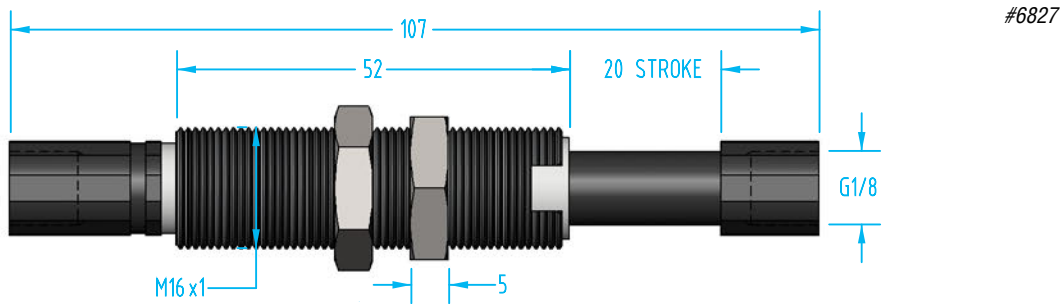
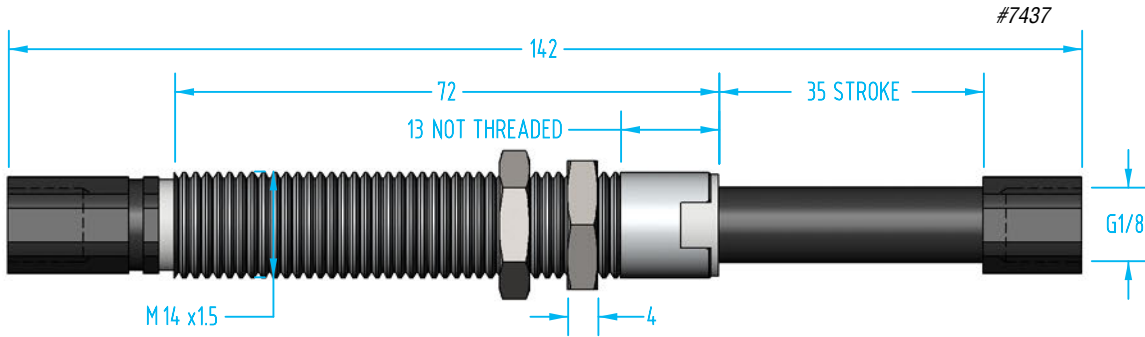
*Dimensional information available online.

Lock Washers

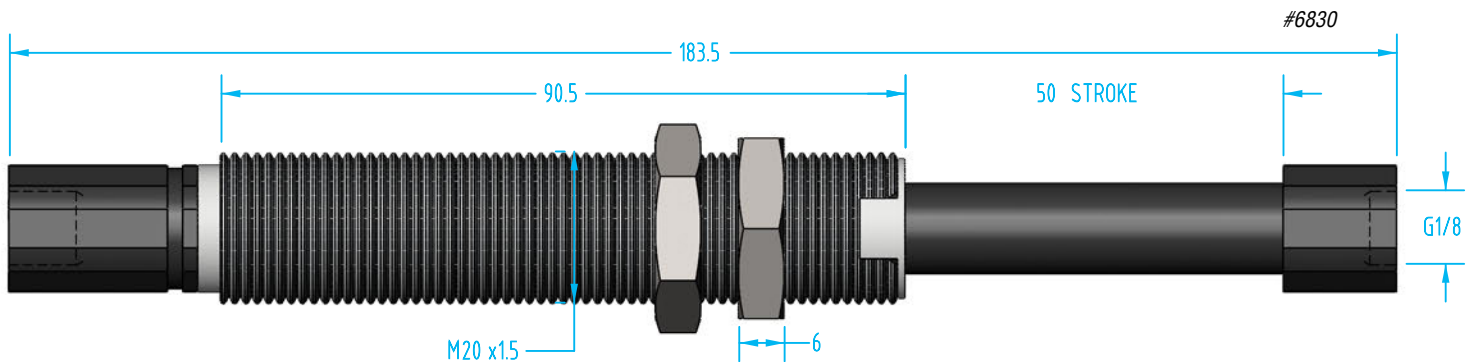
Quick #	Part #	Description	Price
948	GSC-M10-LW	M10 Thin lock washer	\$0.25
2347	GSC-M14-LW	M14 Thin lock washer	\$0.40
939	GSC-M16-LW	M16 Thin lock washer	\$0.60
928	GSC-M20-LW	M20 Thin lock washer	\$1.25
985	GSC-M25-LW	M25 Thin lock washer	\$2.25

Rotating Suspensions – VSRT

(Dimensioned drawings shown full scale)



Note: Quick #7884 has the same dimensions except with G1/4" air ports



Note: Quick #7785 has the same dimensions except with G1/4" air ports