

Non-Rotating Suspension for Actuators – VMK

- Heavy-duty, non-rotative
- For all actuators and brackets with Ø14mm, Ø20mm and Ø30mm.
- The compressed position of the suspension can be detected by a sensor (inductive sensors for VMK-20 & VMK-30 only).
- With through hole for air hoses.
- Clampable



VMK Suspension

Optional Spring

Quick#	Part#	Stroke	Spring force (lbs)	Clamp	Actuator	Price	Wt.	Quick#	Increased force with optional spring (lbs)
7135	VMK14	10mm	1.12–1.34	Ø20	Ø14	\$165.00	55g		not available
7136	VMK20	13mm	1.57–2.24	Ø30	Ø20	\$188.00	160g	5347	6.29–8.99
7137	VMK30	16mm	1.57–2.24	Ø30	Ø30	\$218.00	250g	5347	6.29–8.99

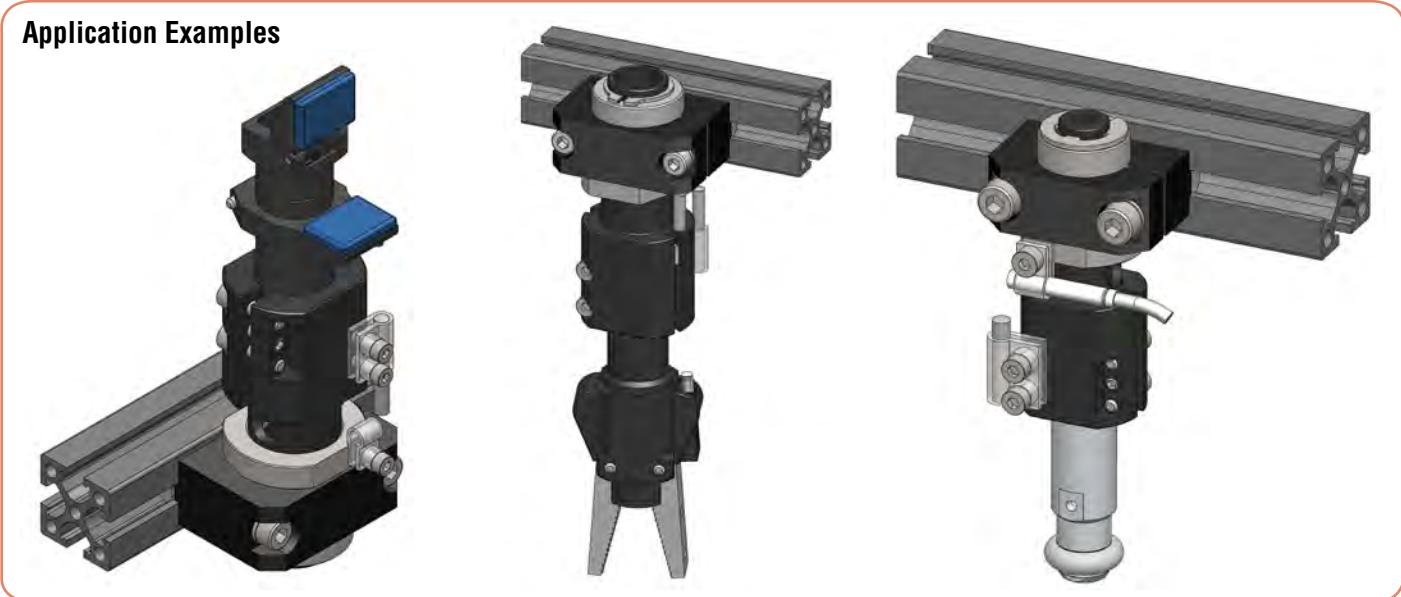
C-Slot, 3-wire Sensors

Quick#	Part#	Signal	Description	Price
1882	SS4N225G	PNP	2.5m Cable	\$27.20
1883	SS4M225G	NPN	2.5m Cable	\$27.20
6282	SS3N203G	PNP	0.3m Cable & M8 male connector	\$31.16
1884	SS3M203G	NPN	0.3m Cable & M8 male connector	\$31.16

Inductive Sensors Only for VMK-20 & VMK-30

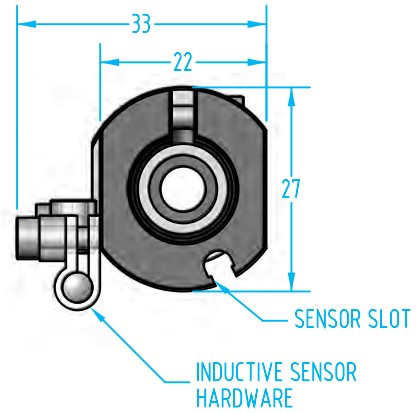
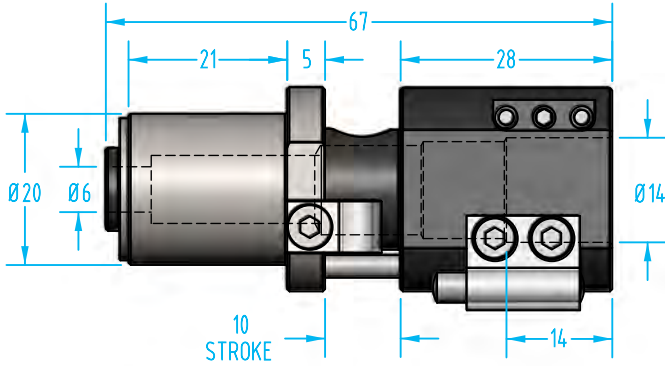
2429	GSG-IS-NPN	NPN	4mm Normally open, 3-wire	\$62.00
2430	GSG-IS-PNP	PNP	4mm Normally open, 3-wire	\$62.00

Application Examples

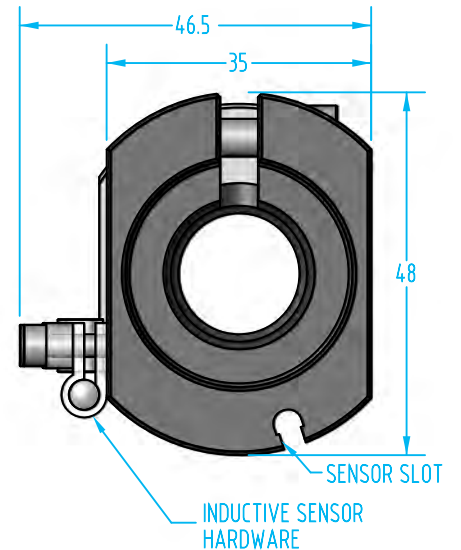
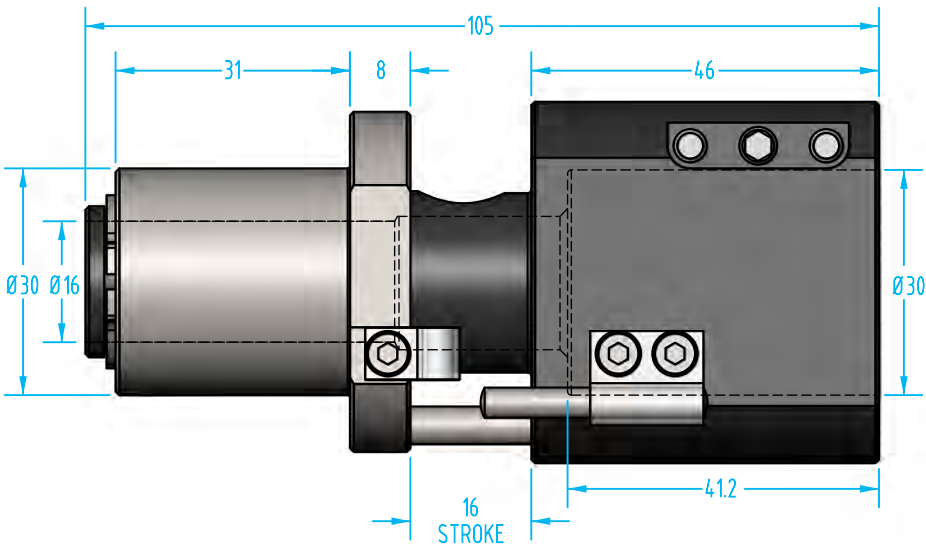
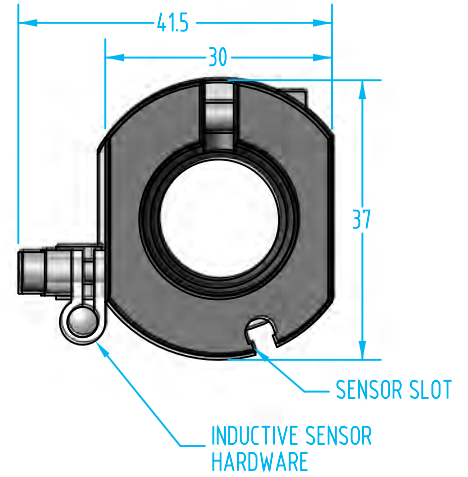
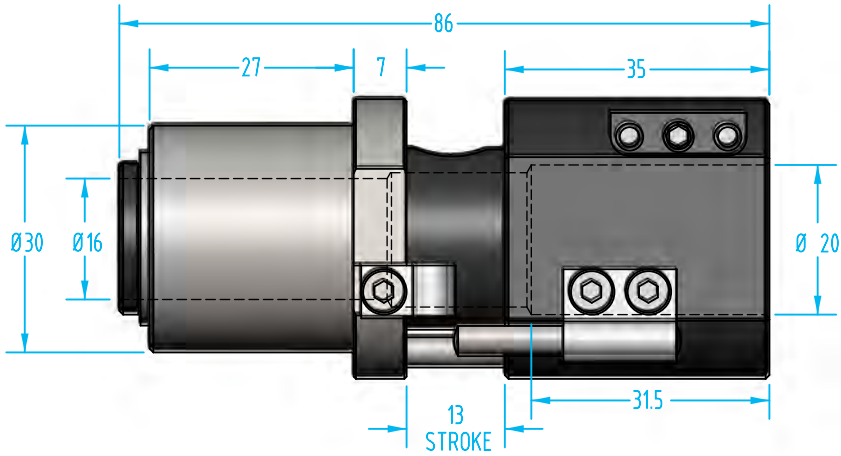


Non-Rotating Suspension for Actuators – VMK

(Dimensioned drawings shown full scale)



#7135



#7107