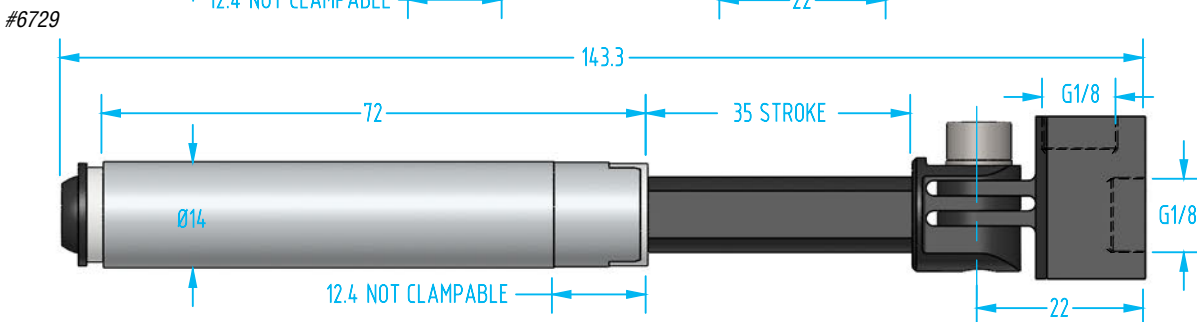
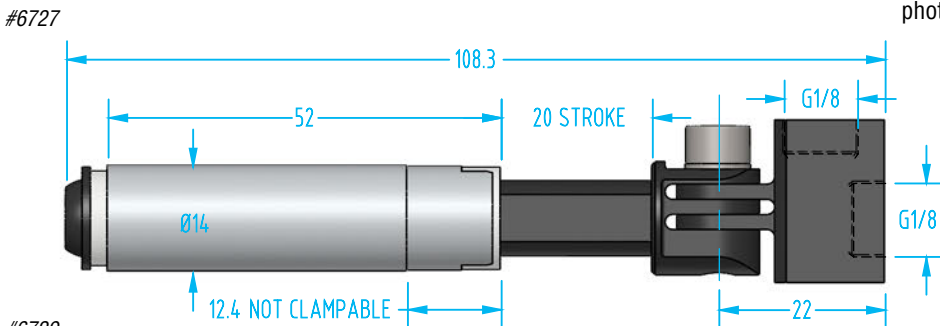
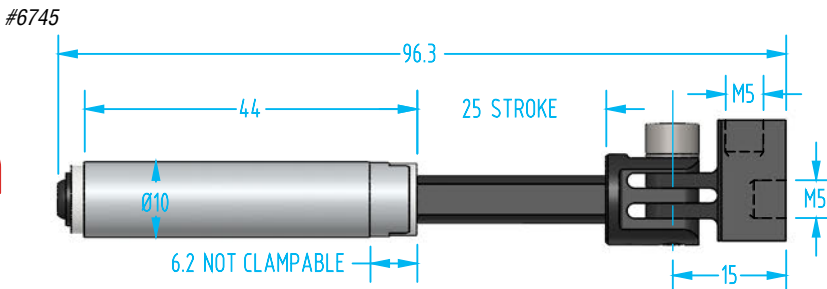
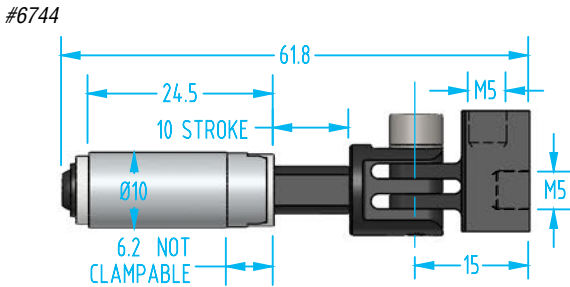


Suspensions with Integrated Elbow Arms – VSE

(Dimensioned drawings shown full scale)

- Adjustable angle from 0° and +/- 90°.
- Body and rod are made of anodized aluminum.
- Non-rotating
- Clampable, smooth body

New Design Changes!
Phased in though 2021-2022



New Bushing and shaft design provides more reliable compensation. Check online product pages for current dimensional drawings and photos. www.EMlcorp.com and search by Q#.

Quick#	Part#	Price	Air Port	ØD	Stroke	Wt.
6744	VSE1010F05	\$34.40	M5	10	10mm	15g
6745	VSE1025F05	\$38.10	M5	10	25mm	20g
6727	VSE1420F18	\$47.25	G1/8"	14	20mm	45g
6729	VSE1435F18	\$51.10	G1/8"	14	35mm	55g
6731	VSE2025F18	\$52.35	G1/8"	20	25mm	70g
6734	VSE2050F18	\$55.55	G1/8"	20	50mm	105g
6732	VSE2025F14	\$52.35	G1/4"	20	25mm	90g
6735	VSE2050F14	\$55.55	G1/4"	20	50mm	120g



Suspensions with Integrated Elbow Arms – VSE

(Dimensioned drawings shown full scale)

