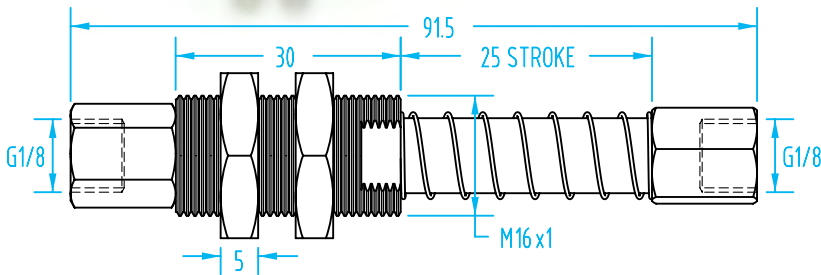


M16 Suspensions

(Dimensioned drawings shown full scale)

#457



Quick#	Part#	Style	Stroke	Weight	Price
457	GSS-85-M16G8F	Rotate	25mm	97g	\$36.90
458	GSS-85R-M16G8F	Non-Rotate	25mm	95g	\$46.80

#458 and #460 Non-rotating style are similar to #1409, on page 308.

Use Quick#s for easy online ordering.

Mounting Brackets Available on page 244

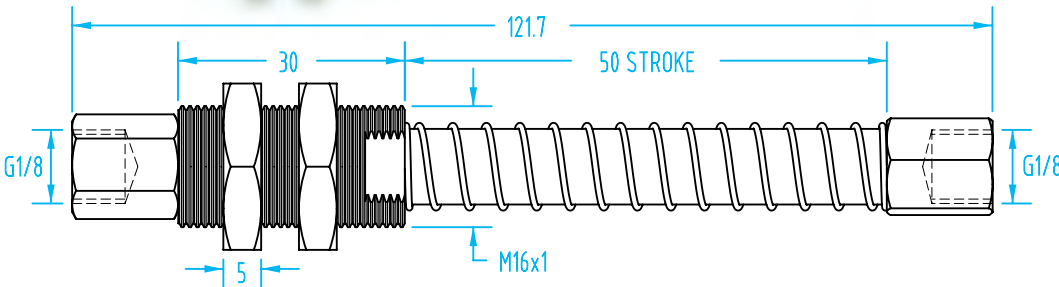
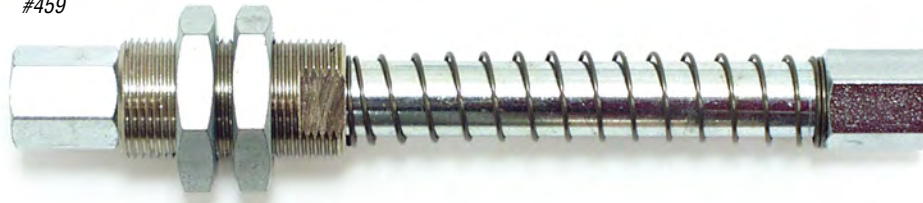


Fittings Available on page 1043



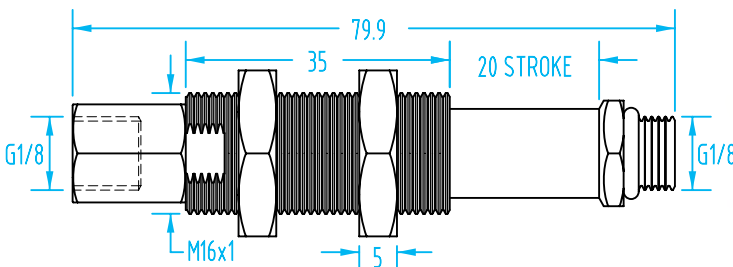
We recommend using an appropriately sized lock washer with threaded body suspensions, see page 1076.

#459



Quick#	Part#	Style	Stroke	Weight	Price
459	GSS-115-M16G8F	Rotate	50mm	114g	\$41.60
460	GSS-115R-M16G8F	Non-Rotate	50mm	110g	\$52.80

#458 and #460 Non-rotating style are similar to #1409, on page 308.

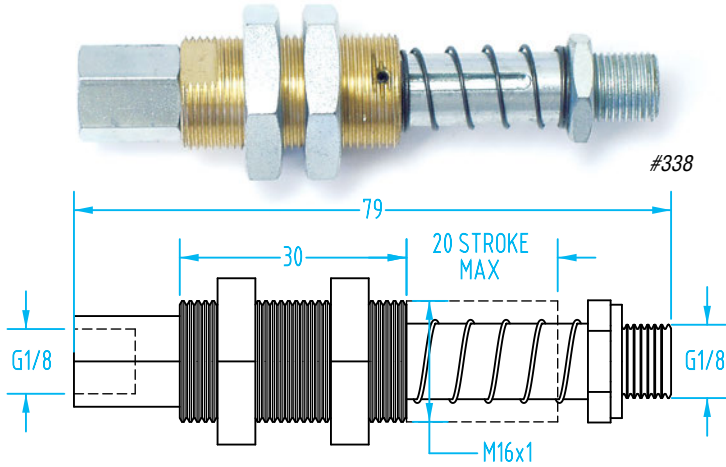


#342

Quick#	Part#	Style	Stroke	Weight	Price
342	GSS-80-M16G8	Rotate	20mm	72g	\$50.99

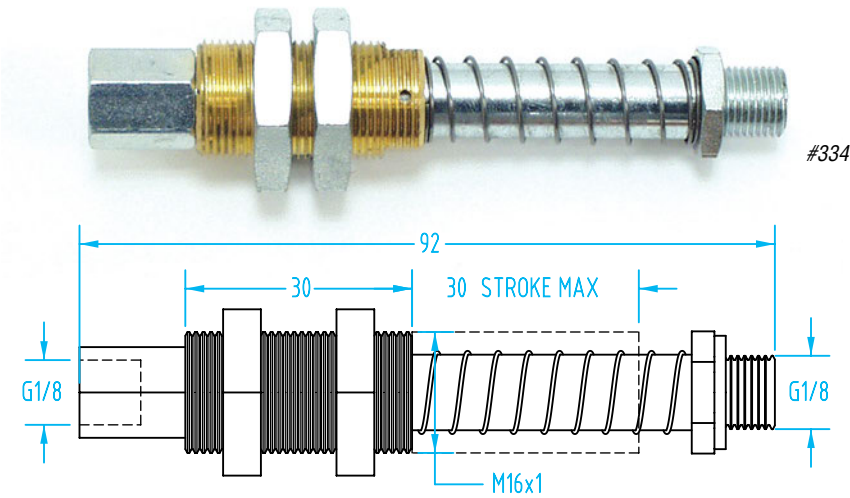
M16 Suspensions

(Dimensioned drawings shown full scale)



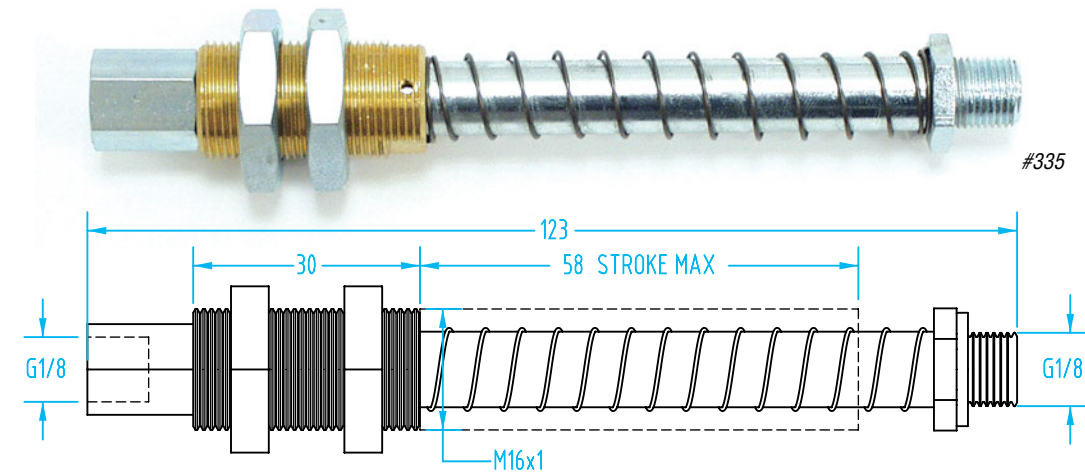
#338

Quick#	Part#	Style	Stroke	Weight	Price
338	GSS-80R-M16G8	Non-Rotate	20mm	90g	\$101.07



#334

Quick#	Part#	Style	Stroke	Weight	Price
334	GSS-85-M16G8	Rotate	30mm	92g	\$82.70



#335

Quick#	Part#	Style	Stroke	Weight	Price
335	GSS-115-M16G8	Rotate	50mm	109g	\$85.67
455	GSS-115R-M16G8	Non-Rotate	50mm	105g	\$100.83

#455 Non-rotating style is similar to #1409, on page 308.