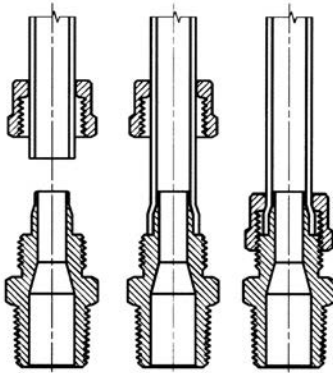
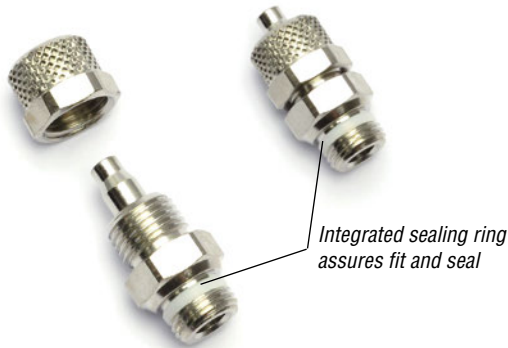


European-Style Barb Fittings with Retaining Rings

(Shown Actual Size)



Male Threaded - Barbed Straight

Quick#	Part#	Male Thread	øOD/ID Tubing	Price
1356	GSF-RMC-M506	M5	6/4mm	\$1.10
1357	GSF-RMC-M606	M6	6/4mm	\$1.43
1358	GSF-RMC-U806	G1/8"	6/4mm	\$4.11
1359	GSF-RMC-U406	G1/4"	6/4mm	\$4.99
1360	GSF-RMC-U808	G1/8"	8/5mm	\$1.87
1361	GSF-RMC-U408	G1/4"	8/5mm	\$2.52



Male Threaded - Barbed Elbow

Quick#	Part#	Male Thread	øOD/ID Tubing	Price
1362	GSF-RME-U806	G1/8"	6/4mm	\$4.11
1363	GSF-RME-U406	G1/4"	6/4mm	\$4.99
1364	GSF-RME-U808	G1/8"	8/5mm	\$4.65
1365	GSF-RME-U408	G1/4"	8/5mm	\$5.19

Male Threaded - Barbed T

Quick#	Part#	Male Thread	øOD/ID Tubing	Price
1366	GSF-RMT-U806	G1/8"	6/4mm	\$5.35
1367	GSF-RMT-U406	G1/4"	6/4mm	\$5.94
1368	GSF-RMT-U808	G1/8"	8/5mm	\$4.88
1369	GSF-RMT-U408	G1/4"	8/5mm	\$6.32



Use regular Polyurethane Tubing (as used with Push-In fittings)

For those who like European-style barbed fittings which use retaining rings coupled with standard polyurethane tubing, we offer these fittings with their integrated sealing rings. Use these fittings with 6mmOD/4mmID and 8mmOD/5mmID polyurethane tubing.

Female Threaded - Barbed Straight

Quick#	Part#	Female Thread	øOD/ID Tubing	Price
1370	GSF-RFC-U806	G1/8"	6/4mm	\$1.98
1371	GSF-RFC-U406	G1/4"	6/4mm	\$1.98
1372	GSF-RFC-U808	G1/8"	8/5mm	\$2.09
1373	GSF-RFC-U408	G1/4"	8/5mm	\$2.68