

Soft Polyurethane Tubing

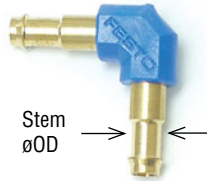
(Shown Actual Size)

Soft Polyurethane Tubing for use with Barbed Fittings



Application Guide

Use Soft Polyurethane tubing with barbed fittings. Soft PU tubing's extra elasticity provides a snug fit against the barb stem.



Application for Soft Polyurethane Tubing

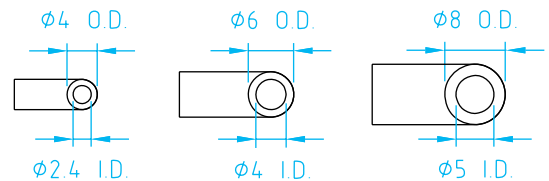
Stem øOD range	Soft PU øID	Soft PU øOD
2.5-3.0	2.4	4
3.8-4.6	4	6
5.5-6.4	5	8

Note: Using soft polyurethane tubing with push-in fittings gives unacceptable results.

Soft Polyurethane Tube for Barbed Fittings - Sold in 25' Coils

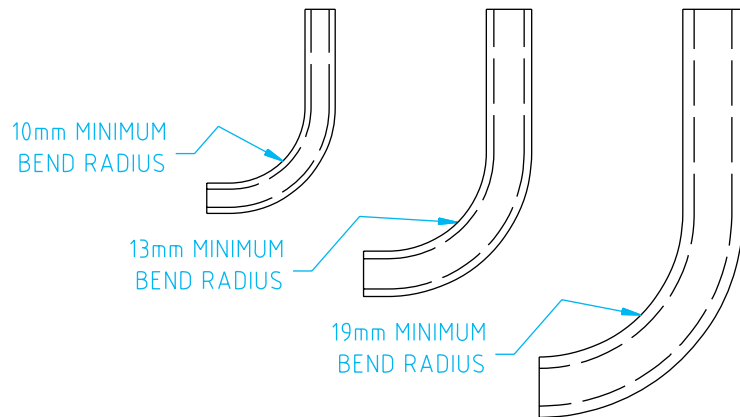
Quick#	Part#	øOD	øID	Color	Min. Radius	Price
951	GSU-SC-0424	4	2.4	Clear	10mm	\$36.00
952	GSU-SC-0604	6	4	Clear	13mm	\$39.00
953	GSU-SC-0805	8	5	Clear	19mm	\$64.00
954	GSU-SB-0424	4	2.4	Blue	10mm	\$36.00
955	GSU-SB-0604	6	4	Blue	13mm	\$39.00
956	GSU-SB-0805	8	5	Blue	19mm	\$64.00

Blue tubing is translucent with blue tint.



Suggestion

To help reduce the likelihood of misconnecting vacuum lines with compressed air lines, consider standardizing your tubing color scheme. Use clear tubing for vacuum circuits, and blue tubing for compressed air circuits.

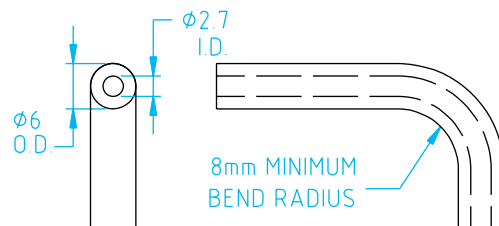


Super Flexible Silicone Tube for Barbed Fittings - Sold in 25' Coils

Quick#	Part#	øOD	øID	Color	Min. Radius	Price
950	GSU-SI-627	6	2.7	Clear	8mm	\$17.54

Note: Using super flexible silicone tubing with push-in fittings gives unacceptable results.

Note: When using the Super Flexible Tube, although the OD is 6mm, the ID is only 2.7mm and so you must choose a barbed fitting which will fit appropriately (this is the barbed fitting size used with 4mm soft tubing).



(Shown Actual Size)

Polyurethane Tubing



Polyurethane Tubing for use with Push-In Fittings

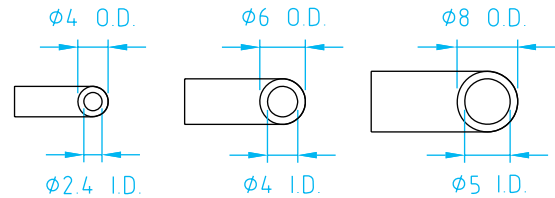
Polyurethane Tube for Push-In Fittings - Sold in 25' Coils

Quick#	Part#	øOD	øID	Color	Min. Radius	Price
957	GSU-PC-0424	4	2.4	Clear	10mm	\$6.25
958	GSU-PC-0604	6	4	Clear	13mm	\$10.50
959	GSU-PC-0806	8	5	Clear	19mm	\$18.50
960	GSU-PB-0424	4	2.4	Blue	10mm	\$6.25
961	GSU-PB-0604	6	4	Blue	13mm	\$10.50
962	GSU-PB-0806	8	5	Blue	19mm	\$18.50
966	GSU-PR-0424	4	2.4	Red	10mm	\$6.25
967	GSU-PR-0604	6	4	Red	13mm	\$10.50
968	GSU-PR-0806	8	5	Red	19mm	\$18.50



Suggestion

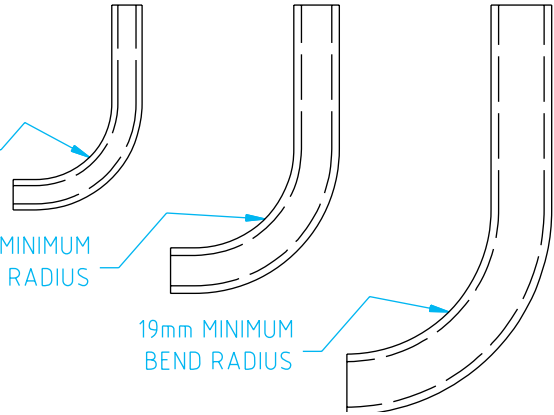
To help reduce the likelihood of mis-connecting vacuum lines with compressed air lines, consider standardizing your tubing color scheme. Use clear tubing for vacuum circuits. Use blue tubing for compressed-air circuits when approaching the part—such as gripper close or cylinder extend. Use red tubing for compressed-air circuits when retracting from the part—such as gripper open or cylinder retract.



10mm MINIMUM BEND RADIUS

13mm MINIMUM BEND RADIUS

19mm MINIMUM BEND RADIUS



NEW



Spiral Polyurethane Tubing

Quick#	Part#	Description	Price
987	GSU-PCR-0424	Ø4mm Transparent Red, 2.6m long	\$20.23
988	GSU-PCB-0424	Ø4mm Transparent Blue, 2.6m long	\$20.23
996	GSU-PCC-0604	Ø6mm Transparent Clear, 2.6m long	\$22.10
997	GSU-PCR-0604	Ø6mm Transparent Red, 2.6m long	\$22.10
998	GSU-PCB-0604	Ø6mm Transparent Blue, 2.6m long	\$22.10

- Ø4mm spiral tubing has a maximum suggested working length of 2.6m, with a retracted length of 135mm.
- Ø6mm spiral tubing has a maximum suggested working length of 2.6m, with a retracted length of 150mm.

Compatibility Guide

Polyurethane Tubing Compatibility

Application		Recommended Tubing Choice		
Fitting	Input	Hard Tubing	Soft Tubing	Super Flex Tubing
Barbed	Compressed Air	Good	No	No
		Good	No	No
Barbed	Vacuum	No	Good	Good
		Good	No	No

Polyurethane Tubing Dimensions with Barbed Fittings

Barb Stem øOD	PU Tube øOD	PU Tube øID
2.7	4	2.4
2.9	4	2.4
3.0	4	2.4
3.8	6	4
3.9	6	4
4.0	6	4
4.2	6	4
6.4	8	5