

>ASS< Side Manifold Blocks

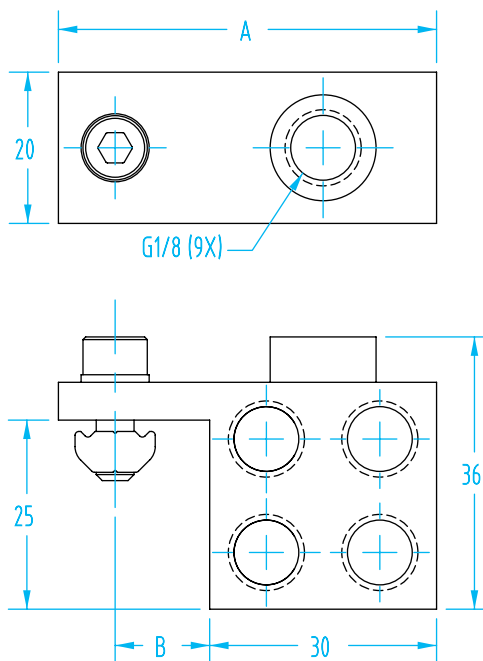
(Dimensioned drawings shown full scale)



#3413

COMMON

9 common ports



Double Manifold Block

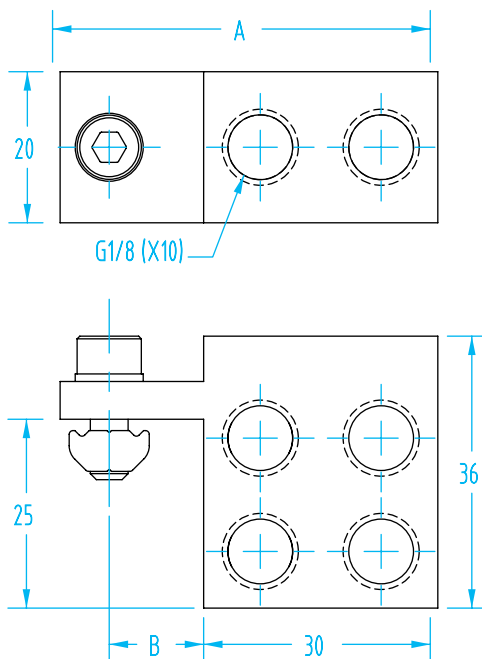
Quick#	Part#	>ASS< #	Price	Ports	A	B	Wt.
3413	VTB2-1-1/8X	1-230-15-00	\$13.65	G1/8" (x9)	50	12.5	88g
3415	VTB2-1-1/8J	1-230-22-00	\$13.65	G1/8" (x9)	60	20	97g



#3414

DIVIDED

5 inlet ports, 5 outlet ports

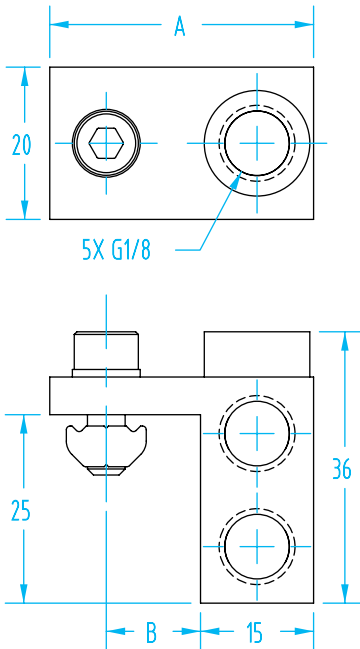


Double Manifold Block

Quick#	Part#	>ASS< #	Price	Ports	A	B	Wt.
3414	VTB2-2-1/8X	1-230-25-00	\$15.23	G1/8" (x10)	50	12.5	86g
3416	VTB2-2-1/8J	1-230-32-00	\$15.23	G1/8" (x10)	60	20	96g

Side Manifold Blocks

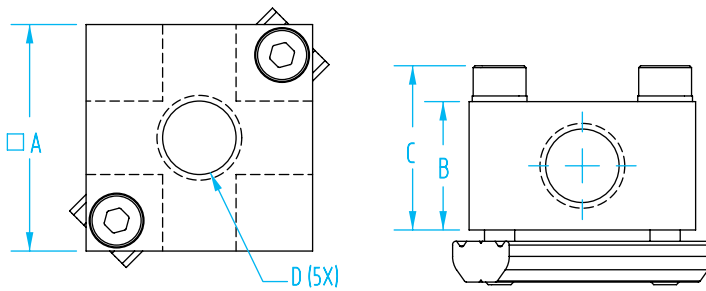
(Dimensioned drawings shown full scale)



#3411

Manifold Block

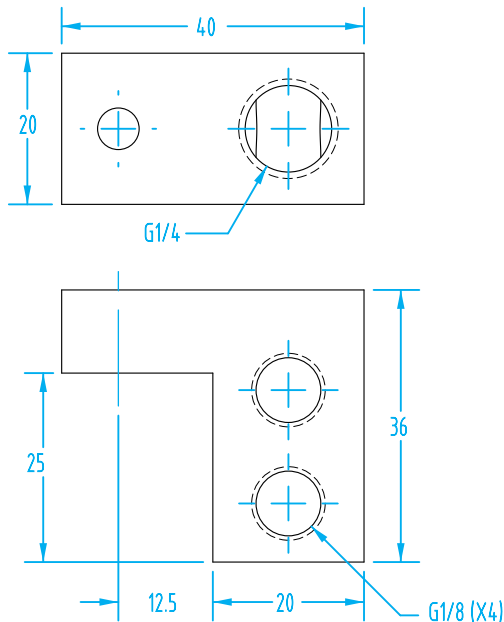
Quick#	Part#	>ASS< #	Price	Ports	A	B	Wt.
3411	VTB1/8X	1-230-05-00	\$12.08	G1/8" (x5)	34	12.5	48g
3412	VTB1/8J	1-230-12-00	\$12.60	G1/8" (x5)	44	20	67g



#3419

Manifold Block

Quick#	Part#	>ASS< #	Price	Ports	A	B	C	D	Wt.
3418	LVTM5X	1-230-40-00	\$12.60	M5 (x5)	14	8	13	M5	8g
3419	LVT1/8X	1-230-45-00	\$13.65	G1/8" (x5)	30	17	22	G1/8"	52g
3420	LVT1/4X	1-230-50-00	\$16.80	G1/4" (x5)	40	22	28	G1/4"	100g



Manifold Block

Quick#	Part#	Price	Ports	Wt.
216	GSF-MAN-G41G84	\$11.25	G1/4" (x1) / G1/8" (x4)	43g