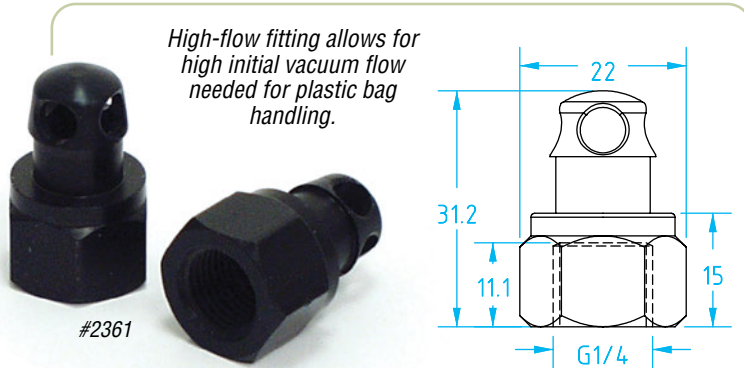


Packaging & Paper

(Shown Actual Size)



High-flow fitting allows for high initial vacuum flow needed for plastic bag handling.

#2361

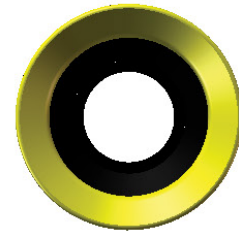
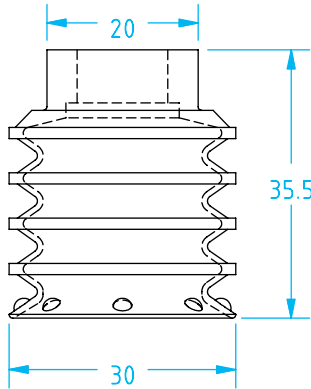
Nipples

| Quick# | Part#       | Thread        | Weight | Price  |
|--------|-------------|---------------|--------|--------|
| 2359   | GSF-04AJ    | G3/8" Male    | 11g    | \$6.43 |
| 2360   | GSF-04AL    | 3/8" NPT Male | 11g    | \$6.43 |
| 2361   | GSF-NF8-G4F | G1/4" Female  | 10g    | \$4.50 |

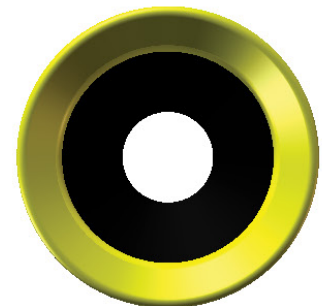
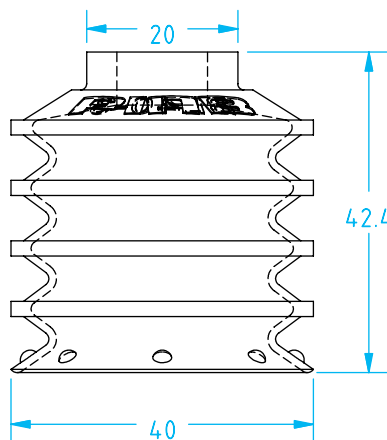


Dual Durometer Properties - Packaging & Paper

| Material                    | Color          | Max Temp. | Durometer       |
|-----------------------------|----------------|-----------|-----------------|
| Dual Durometer Polyurethane | Black / Yellow | 122°F     | 70° / 30° Shore |



| Pad øD | Part#          | Material     | Quick# | Weight | Price   |
|--------|----------------|--------------|--------|--------|---------|
| 30mm   | GSV-BL30-3P-4L | Polyurethane | 5448   | 5.9g   | \$21.85 |



| Pad øD | Part#      | Material     | Quick# | Weight | Price   |
|--------|------------|--------------|--------|--------|---------|
| 40mm   | GSV-BL40-3 | Polyurethane | 2358   | 12g    | \$29.09 |