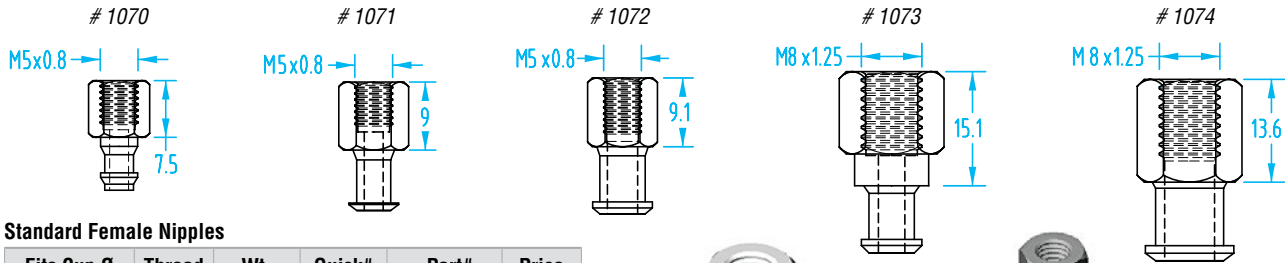


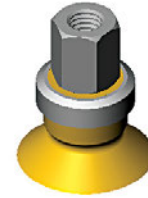
SMC® – Nipples and Adaptors

(Shown Actual Size)

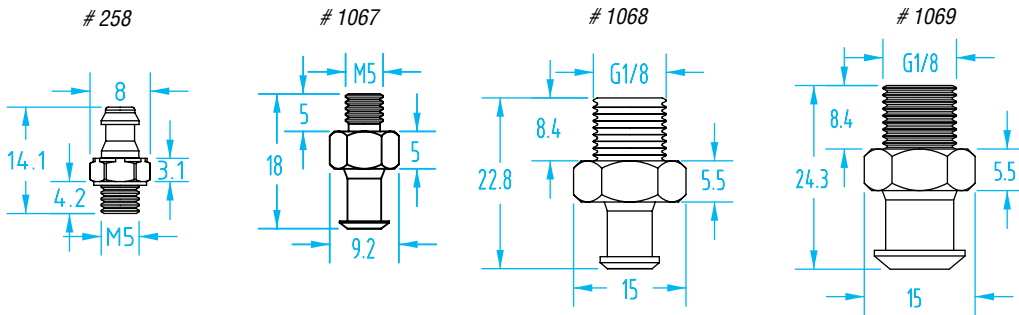


Standard Female Nipples

Fits Cup Ø	Thread	Wt.	Quick#	Part#	Price
2–8mm	M5	3g	1070	ZPT1B5	\$3.25
10–16mm	M5	4g	1071	ZPT2B5	\$6.15
20–32mm	M5	4g	1072	ZPT3B5	\$6.15
20–32mm	M8	12g	1073	ZPT3B8	\$6.15
40–50mm	M8	12g	1074	ZPT4B8	\$6.15

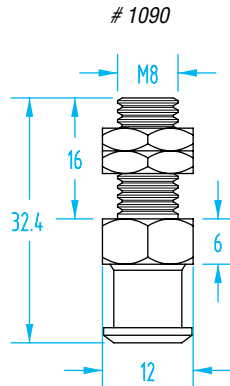


Shown with vacuum cup attached (typical)

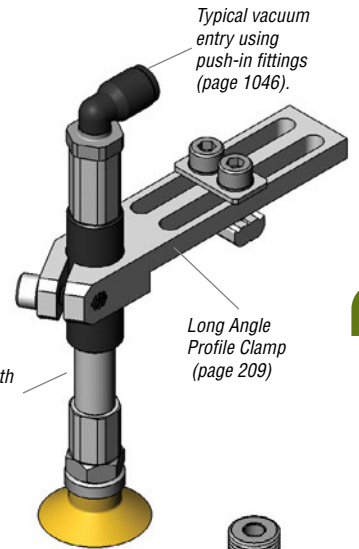


Standard Male Nipples

Fits Cup Ø	Thread	Wt.	Quick#	Part#	Price
2–8mm	M5	4g	258	GSF-BS-M506	\$0.78
10–16mm	M5	5g	1067	GSF-ZPT2-M5S	\$6.15
10–16mm	M5	10g	1088	ZPT2A5	\$6.40
20–32mm	M8	13g	1089	ZPT3A8	\$6.40
20–32mm	G1/8"	13g	1068	GSF-ZPT3-G8	\$6.15
40–50mm	M8	13g	1090	ZPT4A8	\$6.40
40–50mm	G1/8"	13g	1069	GSF-ZPT4-G8	\$6.15



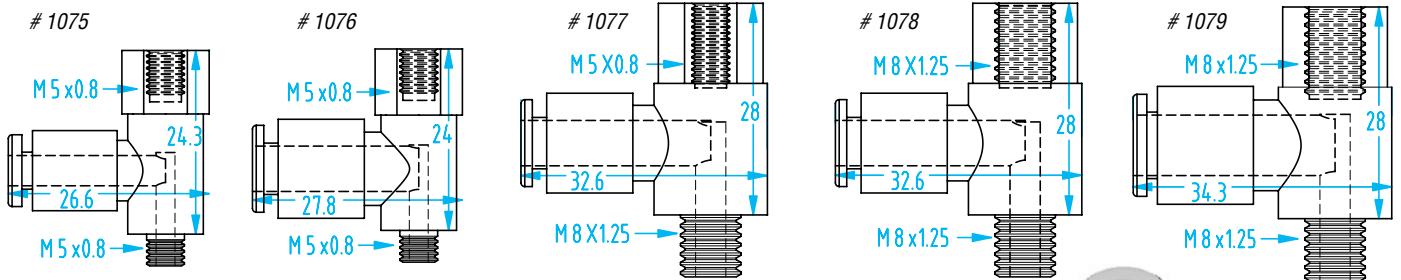
Gimatic Smooth Suspension (page 286)



Typical vacuum entry using push-in fittings (page 1046).

Long Angle Profile Clamp (page 209)

Shown with vacuum cup attached (typical)



One-Touch Adaptor for Standard Nipples (use with standard polyurethane tubing)

Fits Cup Ø	Tubing Dia.	Thread	Wt.	Quick#	Part#	Price
2–16mm	Ø 4mm	M5	12g	1075	ZPRS04B5	\$12.80
2–16mm	Ø 6mm	M5	14g	1076	ZPRS06B5	\$12.80
20–32mm	Ø 6mm	M5	24g	1077	ZPRL06B5	\$13.80
20–50mm	Ø 6mm	M8	24g	1078	ZPRL06B8	\$13.80
20–50mm	Ø 8mm	M8	24g	1079	ZPRL08B8	\$13.80

See page 384 for typical assembly styles.



Screws into standard nipples (above)

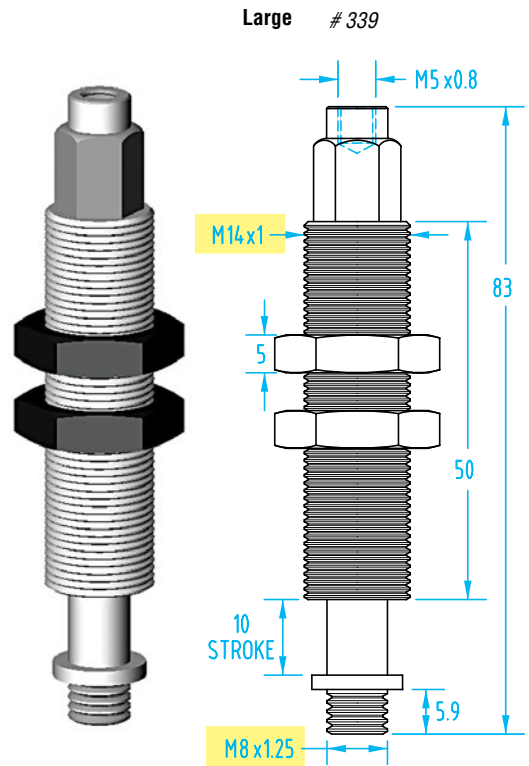
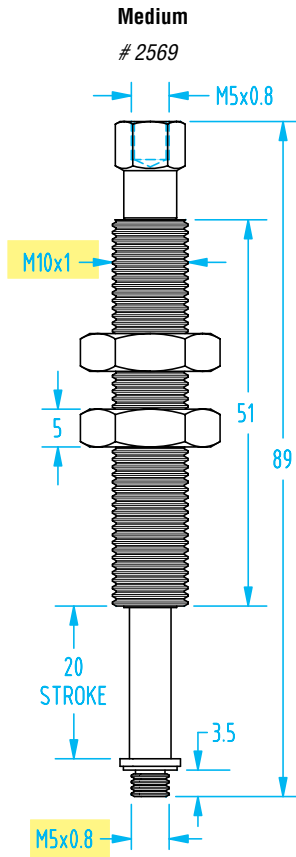
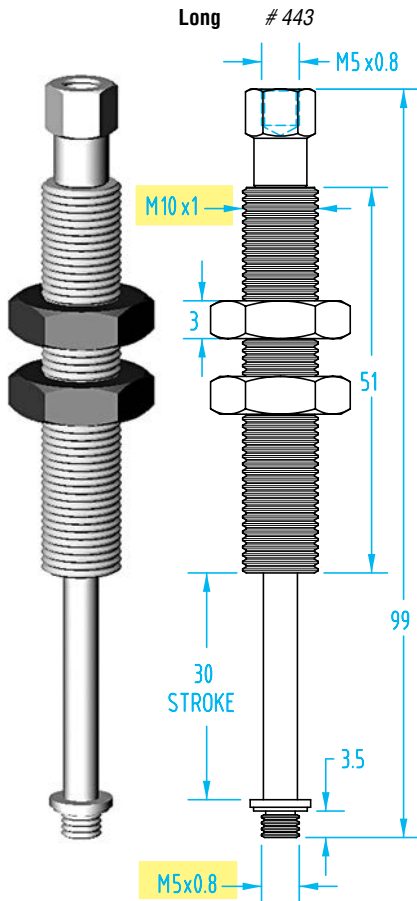
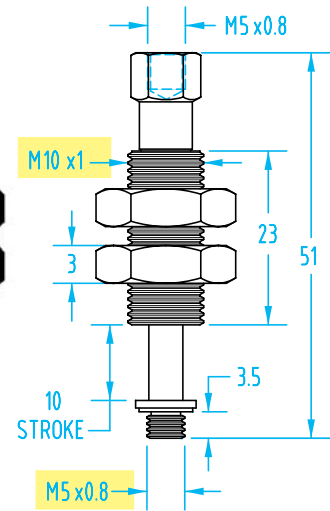
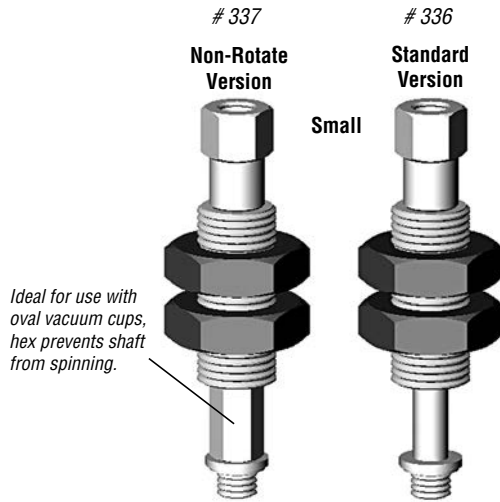
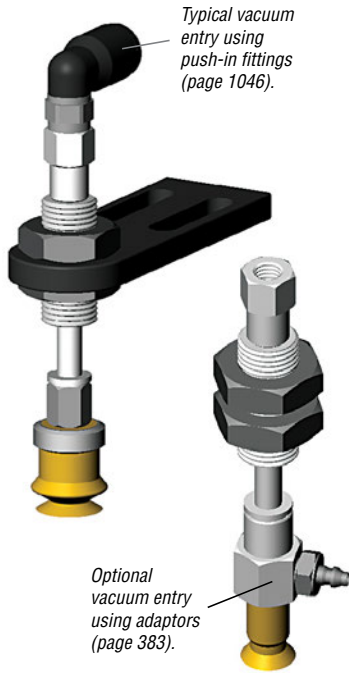
SMC® – Spring Loaded Suspensions

(Shown Actual Size)

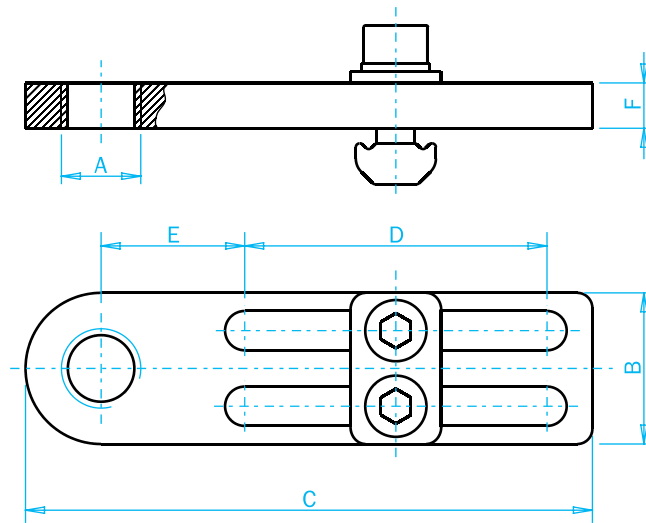
Suspensions (with Internal Springs)

Style	Size	Weight	Quick#	Part#	Price
Standard	Small	20g	336	GSS-53-M10M5	\$19.75
Non-rotate		20g	337	GSS-53R-M10M5	\$22.34
Standard	Large	68g	339	GSS-88-M14M5	\$18.39
Non-rotate		68g	340	GSS-88R-M14M5	\$28.69
Standard	Medium	26g	2569	GSS-80-M10M5	\$23.64
Non-rotate		26g	2571	GSS-80R-M10M5	\$33.92
Standard	Long	32g	443	GSS-99-M10M5	\$24.68
Non-rotate		32g	1870	GSS-99R-M10M5	\$34.96

More SMC Suspensions on page 282.

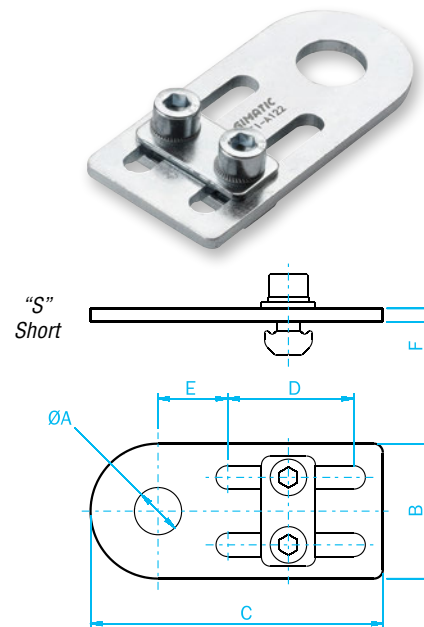
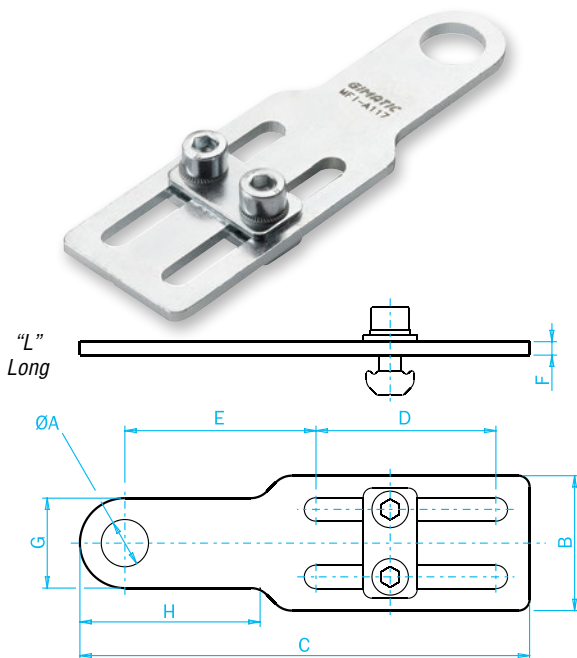
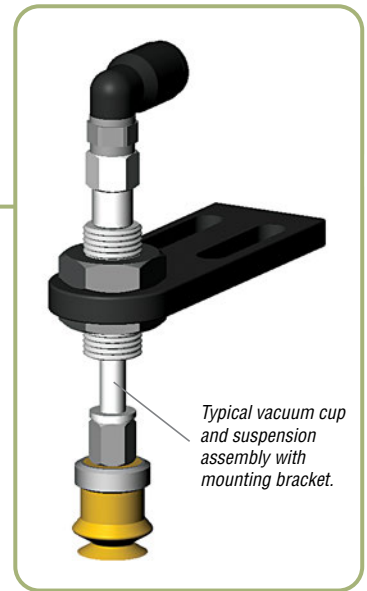


Mounting Brackets for SMC



Slotted Mounting Bracket (anodized aluminum)

Quick#	Part#	Price	A	Type	B	C	D	E	F	Wt.
5668	MFI-A106	\$9.23	M10x1	Short	20	75	40	19	6	30g
5669	MFI-A107	\$10.13	M10x1	Long	25	105	60	26.5	6	40g
5670	MFI-A108	\$9.22	M14x1	Short	20	75	40	19	6	20g
5671	MFI-A109	\$10.13	M14x1	Long	25	105	60	26.5	6	40g



Slotted Mounting Bracket (economy version - steel)

Quick#	Part#	Price	Type	ØA	B	C	D	E	F	G	H	Wt.
5678	MFI-A116	\$8.26	L	10.5	30	100	40	42.5	3	20	38	60g
5680	MFI-A118	\$8.26	L	14.5	30	100	40	42.5	3	24	38	60g
5683	MFI-A121	\$7.68	S	10.5	30	65	28	15.5	3	-	-	45g
5685	MFI-A123	\$7.68	S	14.5	30	65	28	15.5	3	-	-	45g

More Sizes Available on page 245



Fittings Available on page 1043

