

ShorTec® Dual Durometer – 2.5 Bellows

(Shown Actual Size)



Dual Durometer Vacuum Cups!

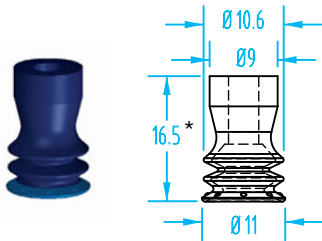
Dual durometer-style vacuum cups are considered to be the best performing polyurethane cup and are now available at a lower price.

These blue dual durometer cups are comparable to the brand-name OEM green and yellow cups in that they use mark-free and long-lasting polyurethane, have the same dual-shore rating, and fit the same size nipples. They have a sturdy dark blue bellows with a 60° shore and a large, flexible sealing surface with a lighter blue 30° shore.

Vacuum Cup Properties

Material	Color	Max Temp.	Durometer
Polyurethane	Blue / Blue	122°F	60° / 30° Shore

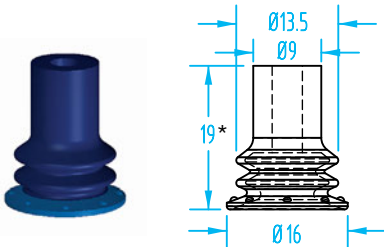
Order nipples separately. See page 356–357 for nipple dimensions.



* 13mm Compressed

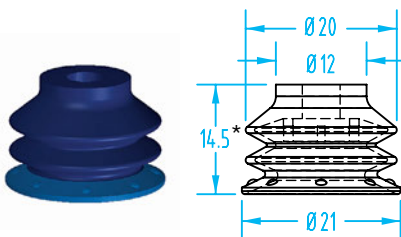
NEW

Cup Ø	Material	Quick#	Part#	Price
10mm	Polyurethane	5966	25B-DD-10	\$5.05
Nipple	M5 Male	411	GSF-NF1-M5	\$1.75



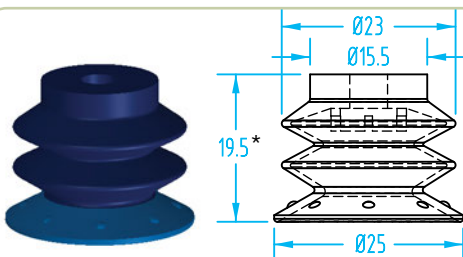
* 14mm Compressed

Cup Ø	Material	Quick#	Part#	Price
15mm	Polyurethane	5967	25B-DD-15	\$5.64
Nipple	M5 Male	411	GSF-NF1-M5	\$1.75



* 9mm Compressed

Cup Ø	Material	Quick#	Part#	Price
20mm	Polyurethane	5971	25B-DD-20	\$7.32
Nipple	G1/8" Male	5982	F02-G8M	\$3.25
	G1/8" Female	5983	F02-G8F	\$3.25

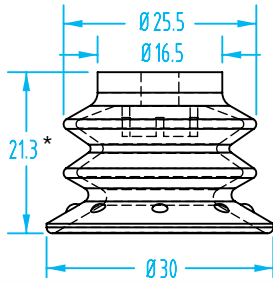
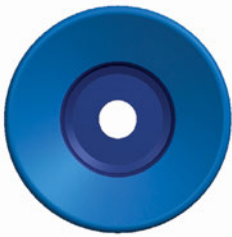


NEW

Cup Ø	Material	Quick#	Part#	Price
25mm	Polyurethane	2082	25B-DD-25	\$9.14
Nipple	G1/8" Male	5982	F02-G8M	\$3.25
	G1/8" Female	5983	F02-G8F	\$3.25

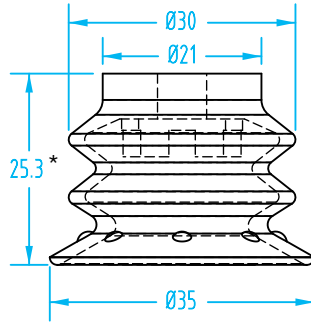
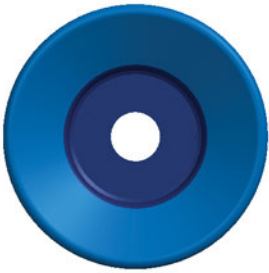
ShorTec® Dual Durometer – 2.5 Bellows

(Shown Actual Size)



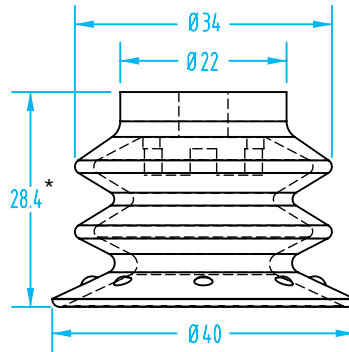
* 12mm Compressed

Cup Ø	Material	Quick#	Part#	Price
30mm	Polyurethane	5972	25B-DD-30	\$9.50
Nipple	G1/4" Male	5984	F03-G4M	\$4.00
	G1/4" Female	5985	F03-G4F	\$4.00



* 14mm Compressed

Cup Ø	Material	Quick#	Part#	Price
35mm	Polyurethane	2081	25B-DD-35	\$12.08
Nipple	G1/4" Male	5984	F03-G4M	\$4.00
	G1/4" Female	5985	F03-G4F	\$4.00



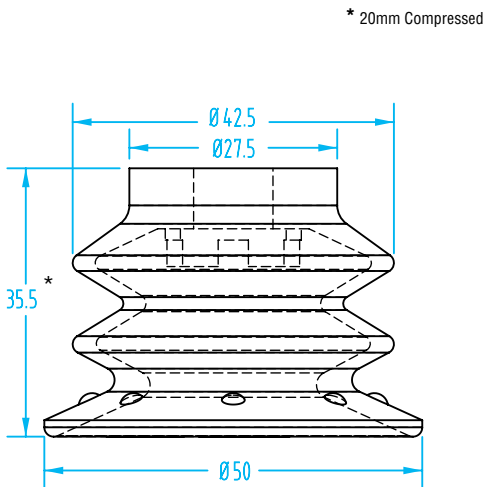
* 16mm Compressed

Cup Ø	Material	Quick#	Part#	Price
40mm	Polyurethane	5973	25B-DD-40	\$12.67
Nipple	G1/4" Male	5984	F03-G4M	\$4.00
	G1/4" Female	5985	F03-G4F	\$4.00

G3/8" to G1/4" reducer fittings are available on catalog page 1069.

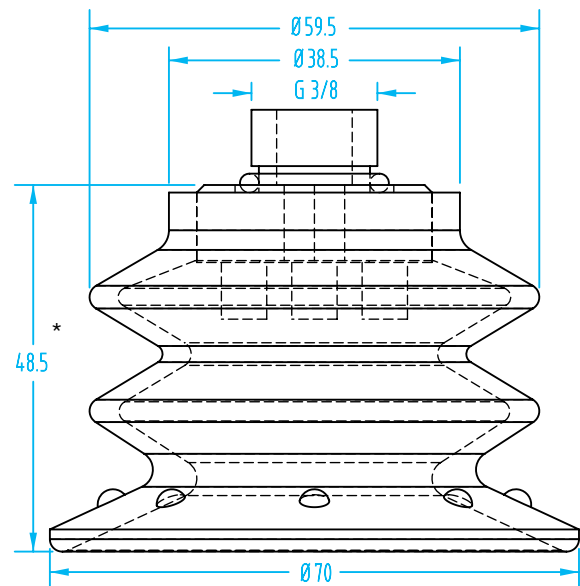
Q# 5975 shown, see website for #2083

* 23mm Compressed



* 20mm Compressed

Cup Ø	Material	Quick#	Part#	Price
50mm	Polyurethane	5974	25B-DD-50	\$15.94
Nipple	G3/8" Male	5986	F04-G3M	\$4.40
	G3/8" Female	5987	F04-G3F	\$4.40



Cup Ø	Nipple	Material	Quick#	Part#	Price
70mm	G3/8" Male	PU	5975	25B-DD-70	\$25.84
	G3/8" Female	PU	2083	25B-DD-70-G38F	\$25.84