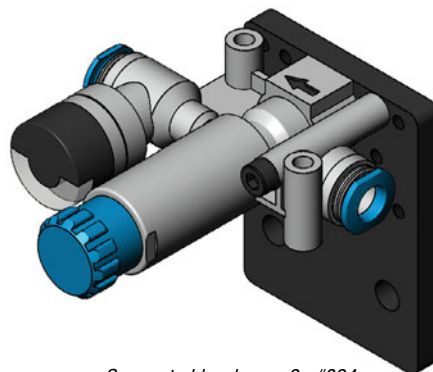


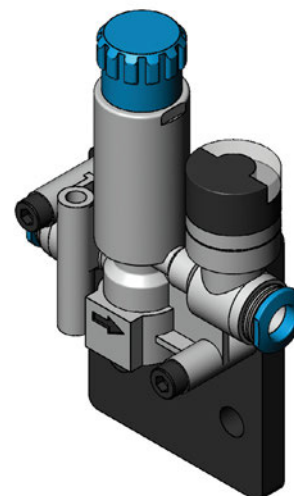
Pressure Regulators



NEW



Suggested hardware: 2x #824

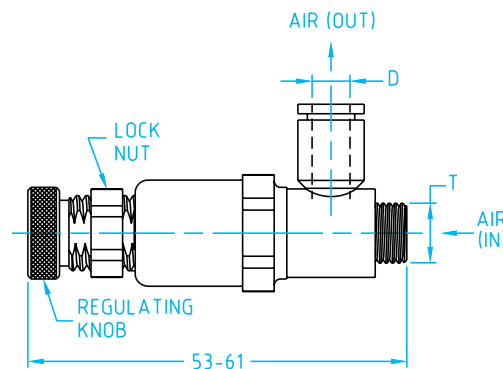


Suggested hardware: 2x #821

Pressure Regulator (with analog pressure indicator)

Quick#	Part#	Pressure Range	Ø Tubing	Wt.	Price
2492	GSF-VRPA-CM-Q4-E	15-116psi	4mm	23g	\$76.50
2493	GSF-VRPA-CM-Q6-E	15-116psi	6mm	23g	\$80.50
Bracket for Pressure Regulator*					
2490	GSC-PRMB-0406				\$13.89

*Suggested hardware for mounting bracket to profile: 2x #854, 2x #856, 1x #6025



Pressure Regulators (with set-point reference marks)

Quick#	Part#	Thread	ØD	Price
1468	GSF-PR-G804	G1/8"	4	\$49.38
1469	GSF-PR-G806	G1/8"	6	\$53.45
1470	GSF-PR-G406	G1/4"	6	\$91.00
1471	GSF-PR-G808	G1/8"	8	\$95.00
1472	GSF-PR-G408	G1/4"	8	\$95.00

Use Quick#s for easy online ordering.



Miniature Pressure Regulators (no pressure gradation marks)

Quick#	Part#	Thread	ØD	Price
1231	GSF-GPR-G806	G1/8"	6	\$37.60
1232	GSF-GPR-G406	G1/4"	6	\$35.42
1233	GSF-GPR-G408	G1/4"	8	\$40.28
1234	GSF-GPR-06	-	6	\$37.02
1235	GSF-GPR-08	-	8	\$38.86