

Foam Area Gripper – Coval CVGC

CVGC Foam Gripper from Coval is lightweight on a carbon fiber main plate, with a lot of power under the hood. Featuring the new CMS M vacuum generator with more flow and a smaller footprint than previous generation CVGC.

Available in-stock in two sizes, compatible with UR (new and old), FANUC, Doosan, and TM (offset adapter plate required) among others. Choose the control cable that connects to your robot's wrist, that's the only difference!

Contact Cobots@emicorp.com to discuss your application.



#8850



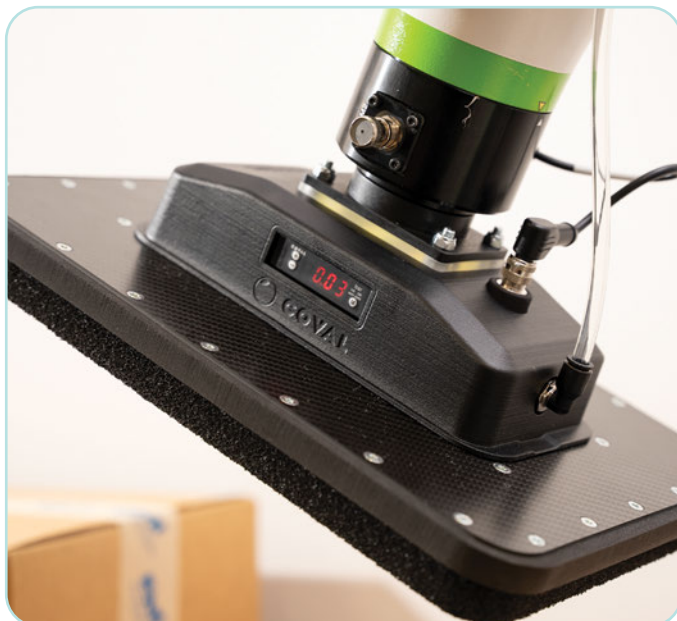
#8852

- Plug & Play compatible with FANUC CRX, UR, TM (offset adapter plate required), Doosan, and others.
- Can be ordered in other sizes and adapted to other robot models outside the ISO 9409-50 interface.
- Padded contour for added safety.
- Indicator flange LED signals gripper status.
- On-board PNP/NPN signal switch.
- Durable PA12 housing protects generator and controls.

Quick#	Part#	Price	Max Suggested Load**	Max Vacuum Level*	Max Suction Flow*		Air Consumption*		Std. Supply Pressure		Wt.
					CFM	l/min	CFM	l/min	psi	Bar	
8850	CVGC-240X120-DF2LX	\$5,200.00	18 kg	80%	19.42 CFM	550 l/min	9.89 CFM	280 l/min	72.5 psi	5 Bar	1200g
8852	CVGC-320x160-DF2LX	\$5,475.00	33 kg	80%	19.42 CFM	550 l/min	9.89 CFM	280 l/min	72.5 psi	5 Bar	1500g

*Values listed are achieved when supplied with the listed standard supply pressure.

** Indicative force for a vacuum gripper at 75% vacuum level, 100% covered by the load, including a safety factor of 2 for horizontal handling and rigid plane surface.



Foam Area Gripper – Coval CVGC

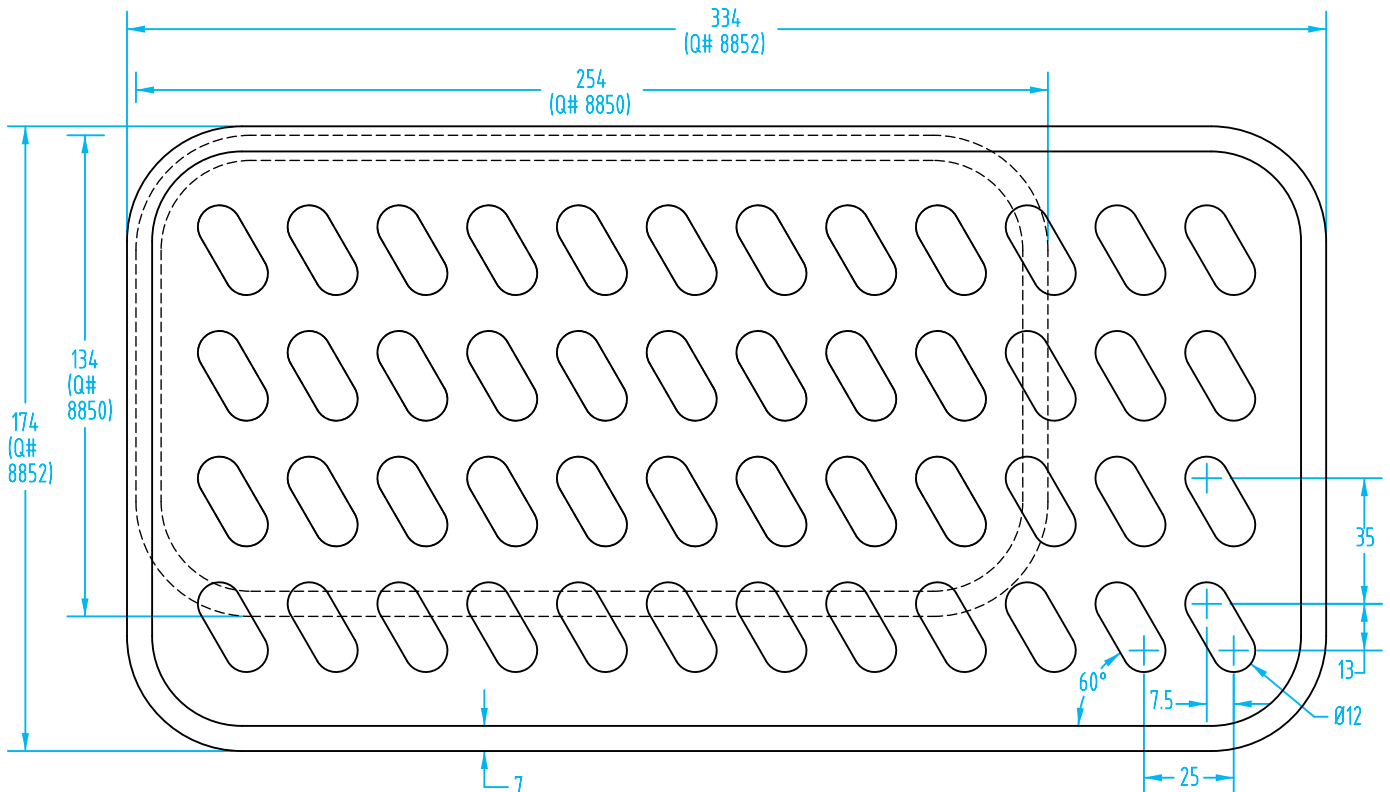
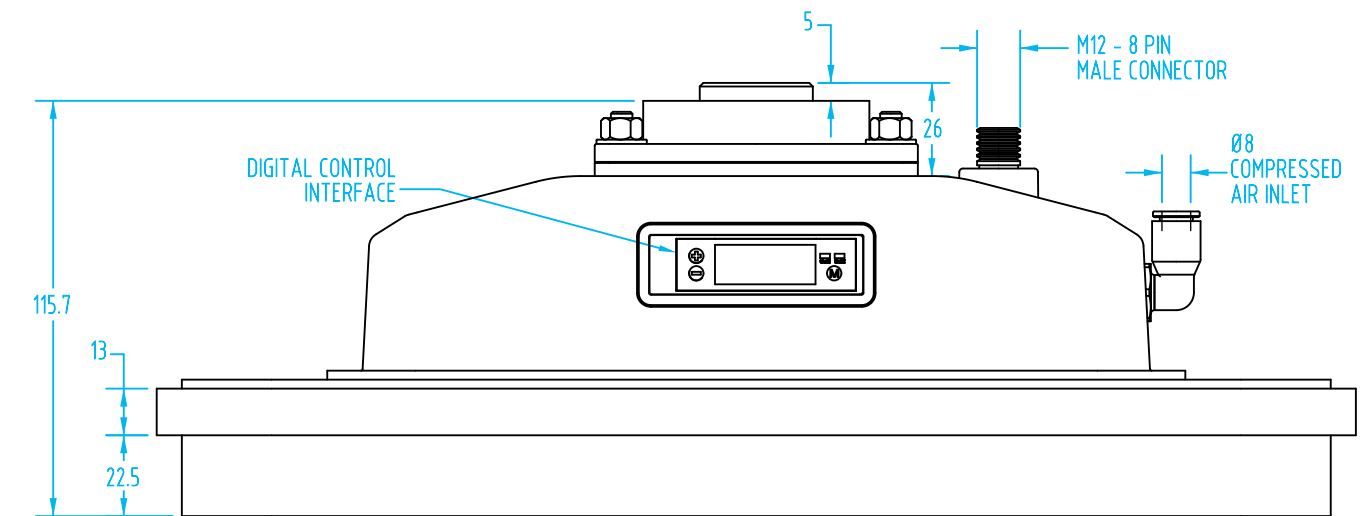
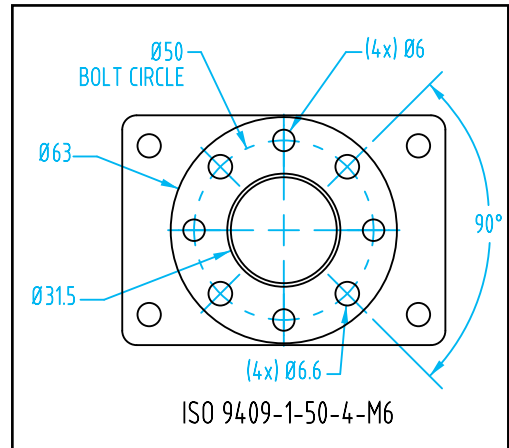
(Dimensioned drawings reduced to fit)

Coval CVGC Replacement Foam Pad with Adhesive Back

Quick#	Part#	Description	Price
8851	SF-CVGC240X120-DF2LX	240x120mm with Adhesive Back	\$237.25
8853	SF-CVGC320X160-DF2LX	320x160mm with Adhesive Back	\$291.50

Coval CVGC Connecting Cables

Quick#	Part#	Description	Price
8856	CC-CVGC-C1-UR	for UR or Equivalent with Male 8-Pin	\$91.96
8857	CC-CVGC-C2-TM	for Techman	\$86.97
8858	CC-CVGC-C3-DOO	for Doosan	\$86.97
8859	CC-CVGC-C7-NGUR	for Next Gen UR with Female 8-Pin	\$91.96



- CU
- QC
- VG
- VC
- VA
- SG
- GR
- MT
- AC
- CS
- CC