

Gimatic by EMI – KIT-UR-G for Universal Robots

The Gimatic KIT-UR-G is an industrial electric gripper that plugs straight to your UR and Fanuc CRX wrist connector. Equipped with machined fingers that can be replaced by custom fingers for your application.

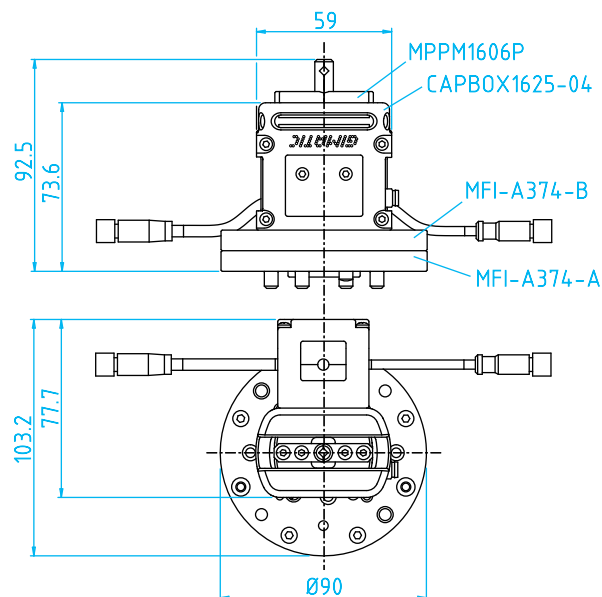


Gimatic by EMI KIT-UR-G

Electric 2-jaw parallel gripper with nylon cover and capacitor box. The system can be assembled on the UR or Fanuc CRX collaborative robots. The included capacitor box allows for a direct connection to the robot's wrist. Standard fingers are also included.

Mount the gripper with the included mechanical flange to the wrist of the robot and install the protective cover and the capacitor box. The system connects directly to the M8 plug connector at the wrist of the robot. The system can be operated via digital signals from the tool interface of the UR robot.

Available in Various Strokes & Grip Force!



Gimatic by EMI – KIT-UR-G for Universal Robots



Features:

- Compatible with UR and Fanuc CRX.
- Plug & play solution.
- Connects directly to the robot's wrist.
- 2x3mm Stroke with 15lbf total gripping force.
- Base diameter: 100mm.
- Total height (fingers included): 83mm
- Contact EMI for custom fingers.
- Sensor ready for gripping or end of the stroke detection.
- The included interface plate mounts directly to any robot with an ISO-9409-1-50-4-M6 tool flange. Contact EMI if you need a different interface plate.



Part#	MPPM1606	MPPM2508	MPPM3210
Quick#	6989	6990	6991
Total gripping force	15lbf	28lbf	55lbf
Stroke	2x3mm	2x4mm	2x5mm
Max frequency	1Hz	0.83Hz	0.66Hz
Cycle per minute	60	50	40
Opening/closing jaws time	0.05s	0.1s	0.15s
Working gripper time	0.2s	0.3s	0.4s
Duty cycle	40%	50%	60%
Peak current	0.8 A	1.2 A	3.4 A
Brushless motor power	6W	8W	11W
Open/closed input signal	PNP open connector		
Noise level	<70dB		
Weight of Gripper (motor included)	145g	330g	525g
IPA Clean Room Certification	ISO04	TBA	TBA
CE Certification	CE; EMC		
Environmental Degree	IP54	IP54	IP54