

## Area Gripper with Flow Resistances and Blowoff – Schmalz FQE



**Flexible, fast, efficient. The Schmalz FQE Gripping System is a configurable universal gripper with integrated vacuum generation. The FQE can handle products in a wide variety of pick-up positions, regardless of their size and geometry.**

Available in two sizes 120x60mm & 300x130mm.

Configured off the shelf as Normally Open (NO) operation (vacuum is on, even when control signal is not present) with PNP control. NPN available upon request.



Quick#	Part#	Price	Max Vacuum Level*	Max Suction Flow*		Air Consumption*		Std. Supply Pressure		Wt
				CFM	l/min	CFM	l/min	psi	Bar	
8828	FQE-XC-120X60-AB	\$1,250.51	66%	1.77 CFM	50 l/min	1.48 CFM	42 l/min	72.5 psi	5 Bar	350g
8841	FQE-XC-300X130-SW100	\$4,392.80	60%	13.42 CFM	380 l/min	8.79 CFM	249 l/min	72.5 psi	5 Bar	1290g

\*Values listed are achieved when supplied with the listed standard supply pressure.

- Area gripper with numerous options for mounting allows for flexibility in application and handling products regardless of size and geometry.
- Metered orifice restrictions allow handling of products from different picking positions.
- Ideal for stationary handling tasks with collaborative robots but suitable for combination in fully automated solutions as well.
- Integrate vacuum sensors (pg 186–187) for added part confirmation capabilities.

### Gripping Accessories for Schmalz FQE

Quick#	Part#	Description	Wt.	Price
8829	SP-120X60X34-SPB2-SI	120x60mm Vacuum Cup Plate for 10 Cups	62g	\$254.37
8830	SP-FQE-120X60-AB-21	120x60mm Foam Plate (20mm Foam)	48g	\$176.79
8831	DI-PL-FQE-120X60	120x60mm Foam Pad with Adhesive Back	9g	\$80.96
8842	SP-FQE-300X130X37	300x130mm Vacuum Cup Plate for 15 Cups	571g	\$881.45
8843	SP-FQE-300X130AB-24D	300x130mm Foam Plate (20mm Foam)	271g	\$736.00
8844	DI-PL-295X125-20X20	300x130mm Foam Pad with Adhesive Back	54g	\$147.21



#8828 with vacuum cup plate #8829 installed.

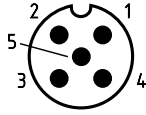
### Robot Specific Items for Schmalz FQE

Quick#	Part#	Description	Connection	UR	Doosan	Fanuc CRX	TM	Wt.	Price
8832	MOD-FLAN-99X77X37	120x60mm Plate Interface Module for Quick# 8828	-	Quick #8832 required for #8828				207g	\$351.35
8845	MOD-FLAN-71X72X24	300x130mm Plate Interface Module for Quick# 8841	-	Quick #8845 required for #8841				84g	\$293.06
8833	FLAN-PL-UR-KUK-1	Flange Mount Plate, ISO-9409-1-50-4-M6	-	✓	✓	✓		82g	\$104.57
8834	MOD-FLAN-108X63X13	Flange Mount Plate for TM, ISO-9409-1-50-4-M6	-				✓	319g	\$256.16
8835	ASK-WB-WB-UR	M12 5-Pin 90° Female to M8 8-Pin 90° Female	Wrist	✓		✓		20g	\$109.59
8836	ASK-B-WS-DOOSAN	M12 8-Pin Straight Female to M8 8-Pin 90° Male		✓*				23g	\$108.35
8837	ASK-WB-S	M12 5-Pin 90° Female to M12 8-Pin Straight Male		✓*				22g	\$161.22
7823	GSE-SCS-F5M12A-5M	M12 5-Pin Straight Female Cable, 5m long	Control Box	✓	✓	✓	✓	177g	\$23.00
7824	GSE-ACS-F5M12A-5M	M12 5-Pin 90° Female Cable, 5m long		✓	✓	✓	✓	176g	\$23.00

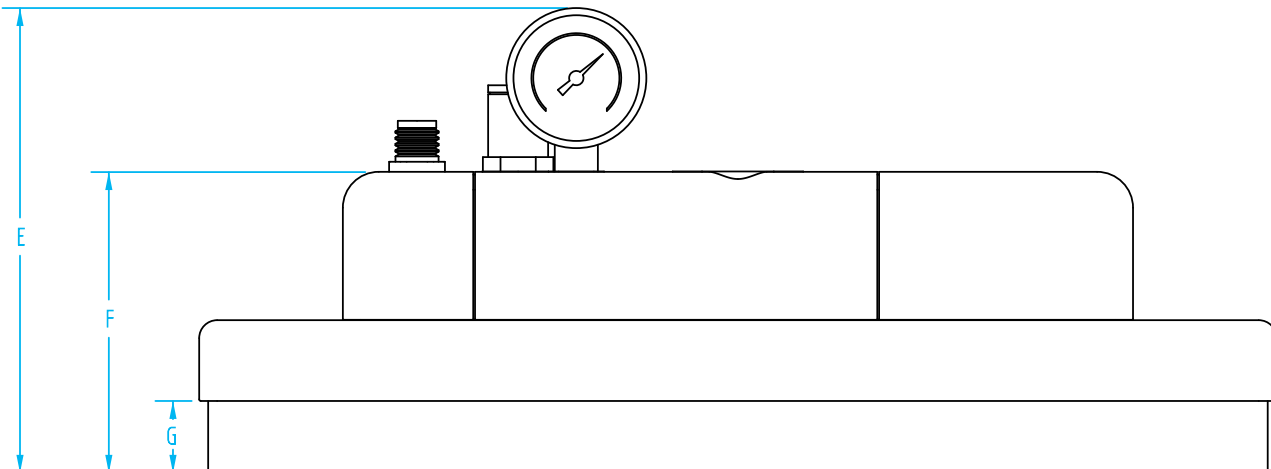
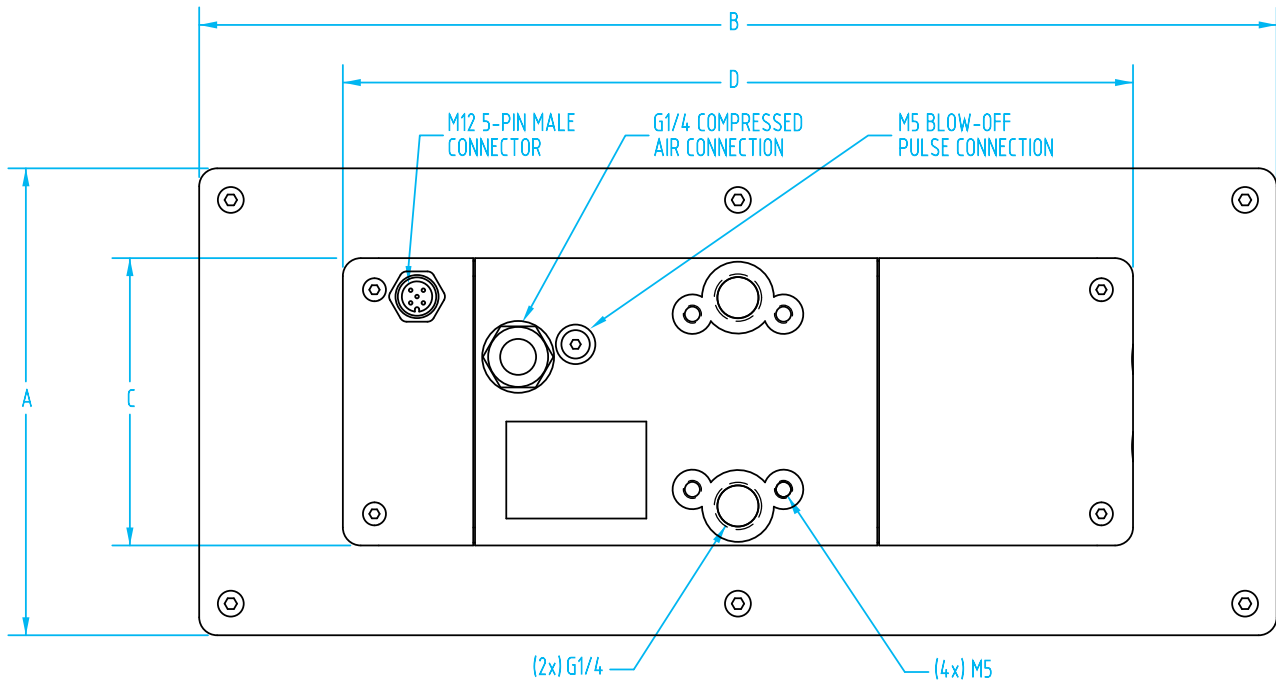
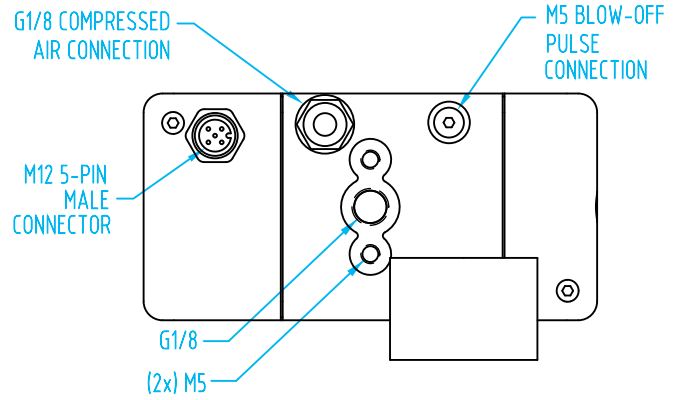
\*Both cables required for Doosan wrist connection.

## Area Gripper with Flow Resistances and Blowoff – Schmalz FQE

(Dimensioned drawings reduced to fit)



Pin	Wire	Function
1	Brown	Not used
2	White	Blow-off valve "On"
3	Blue	Ground
4	Black	Suction valve "Off"
5	Gray	Not used



Quick#	A	B	C	D	E	F	G
8841	130	300	80	220	129.5	83.8	20
8828	60	120	60	120	101.5	56	10

- CU
- QC
- VG
- VC
- VA
- SG
- GR
- MT
- AC
- CS
- CC