

Packaging Silicone Vacuum Cups – Schmalz PSPF



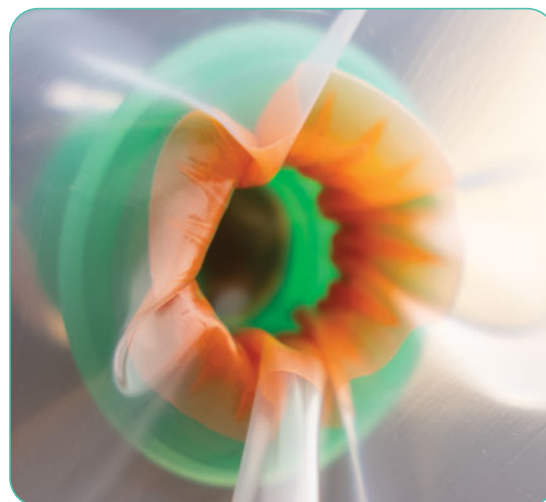
Schmalz silicone vacuum cups are used for handling bags and packages filled with liquids, solids, or powders, especially with a low degree of filling. They provide reliable handling of thin, flexible, or liquid-filled bags. Often used in dynamic packaging processes in combination with delta robots in case packers and in pick-and-place applications.

- Two-component bellows suction cup with 3.5 bellows.
- High strength 2C connection of bellows and sealing lip combines sophisticated material properties in one suction cup.
- Supple and soft sealing lip enables optimum sealing even on bags with strong wrinkling.
- Reinforced bellows with interlocking bellows ensure optimum stability and support during rapid cycles.
- Made of FDA-compliant silicone is suitable for direct contact with food.

Schmalz PSPF Vacuum Cup Properties

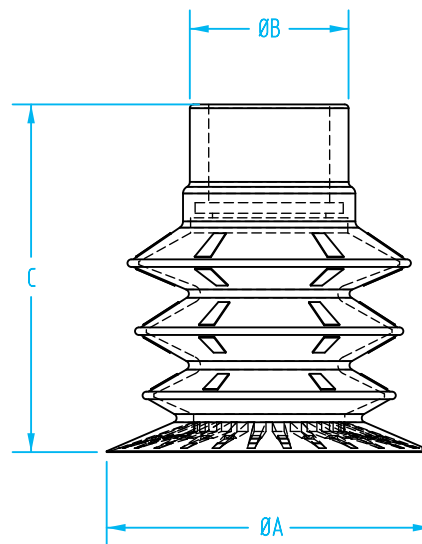
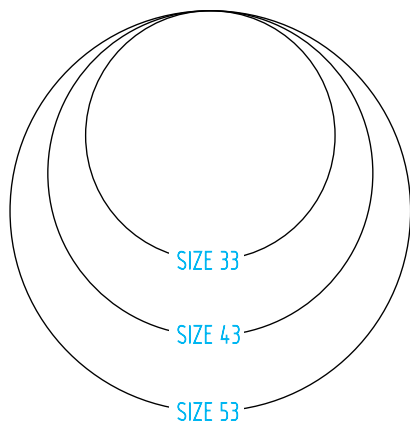
Material	Color	Max Temp. (<30 sec.)	Max Temp. (>30 sec.)	Durometer
Silicone SI	Green / Orange	-40 to 428 °F	-22 to 356 °F	30 / 55°

Vacuum Cup that works like a Gripper!



Packaging Silicone Vacuum Cups – Schmalz PSPF

(Dimensioned drawings shown full scale)



- CU
- QC
- VG
- VC**
- VA
- SG
- GR
- MT
- AC
- CS
- CC

Quick#	Part#	ØA Diameter Cup	ØB (mm)	C (mm)	Use Nipple Size:	Price
8770	PSPF-33-SI-DUO-SC080	33mm	21	40	080	\$30.35
8771	PSPF-43-SI-DUO-SC080	43mm	21	46	080	\$39.93
8772	PSPF-53-SI-DUO-SC090	53mm	27	56	090	\$46.53

Use Quick#s for easy online ordering.

Size 080 and 090 Schmalz Vacuum Cup Nipples

Quick#	Part#	Thread	Nipple Size	Price
8773	GSF-080-G18M	Male G1/8"	080	\$5.35
8774	GSF-080-G18F	Female G1/8"		\$5.25
8775	GSF-080-G14M	Male G1/4"		\$5.35
8776	GSF-080-G14F	Female G1/4"		\$5.25
8777	GSF-080-G38M	Male G3/8"		\$5.35
8778	GSF-080-G38F	Female G3/8"		\$5.45
8779	GSF-090-G18M	Male G1/8"	090	\$6.62
8780	GSF-090-G18F	Female G1/8"		\$6.44
8781	GSF-090-G14M	Male G1/4"		\$6.62
8782	GSF-090-G14F	Female G1/4"		\$6.44
8783	GSF-090-G38M	Male G3/8"		\$6.41
8784	GSF-090-G38F	Female G3/8"		\$6.44

Nipple dimensional drawings on page 138.