

## Packaging Elastodur Vacuum Cups, 2.5 Bellow – Schmalz SPB



Flexible lips allow for sufficient seal while the tough Elastodur endures high abrasion applications such as cardboard and other rigid packaging.

- Elastodur Material has a 65° shore and minimizes wear.
- Round 2.5 bellows for the use in cardboard box and tray erectors.
- These cups are also used in palletizing and depalletizing processes.
- Heavy-duty applications that require suction cups with excellent sealing and low wear.
- Cups 40mm and larger have a two-piece nipple.

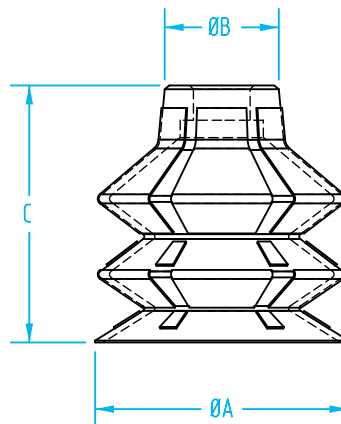
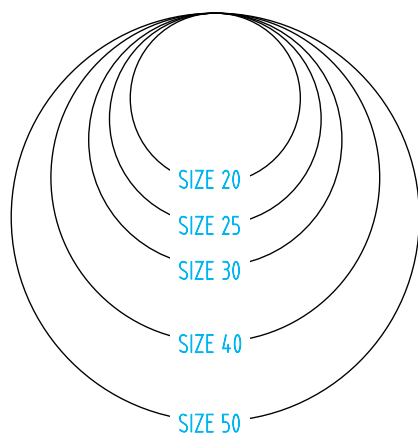
Schmalz SPB Vacuum Cup Properties

Material	Color	Max Temp. (<30 sec.)	Max Temp. (>30 sec.)	Durometer
Elastodur	Green	-40 to 212 °F	-13 to 176 °F	55°



## Packaging Elastodur Vacuum Cups, 2.5 Bellow – Schmalz SPB

(Dimensioned drawings shown full scale)



Quick#	Part#	ØA Diameter Cup	ØB (mm)	C (mm)	Use Nipple Size:	Price
8751	SPB2-20-ED-65-SC040	22.5mm	13.8	24.5	040	\$13.80
8752	SPB2-25-ED-65-SC040	28mm	14	30		\$15.82
8753	SPB2-30-ED-65-SC040	33.5mm	15	34		\$18.14
8754	SPB2-40-ED-65-SC050	43.5mm	19.7	43	050	\$21.52
8755	SPB2-50-ED-65-SC050	54mm	19.7	55.5		\$27.03

### Schmalz Elastodur Vacuum Cup Nipples

Quick#	Part#	Thread	Nipple Size	Price
8768	GSF-040-M5M	Male M5	040	\$3.73
8735	GSF-040-G18M	Male G1/8"		\$3.73
8736	GSF-040-G18F	Female G1/8"		\$3.39
8740	GSF-040-G14M	Male G1/4"		\$7.86
8769	GSF-040-G14F	Female G1/4"		\$7.25
8742	GSF-050-G14M-MOD	Male G1/4" 2-Piece	050	\$5.89
8743	GSF-050-G14F-MOD	Female G1/4" 2-Piece		\$5.64
8744	GSF-050-G18F	Female G1/8"		\$3.35
8745	GSF-050-G18M-MOD	Male G1/8" 2-Piece		\$5.78

Nipple dimensional drawings on page 138.

- CU
- QC
- VG
- VC**
- VA
- SG
- GR
- MT
- AC
- CS
- CC