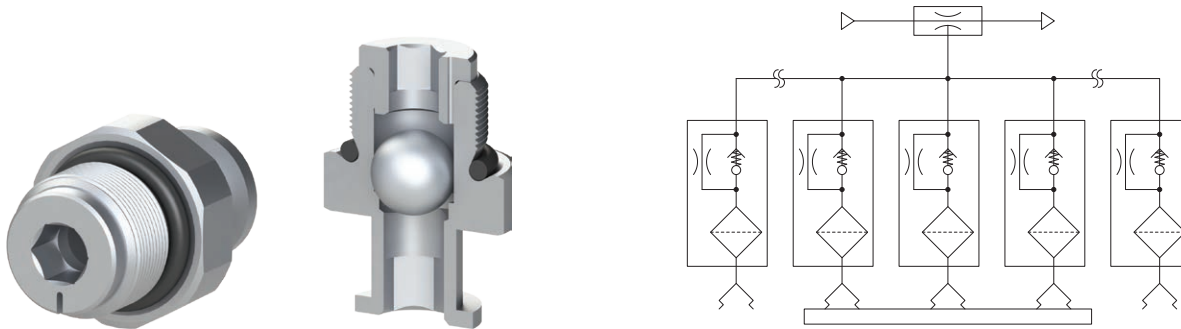


Fittings with self-closing valve and calibrated hole

- Ideal for applications that involve the handling of surfaces of different shapes and sizes
- Suitable for centralised applications, they allow the size of the pump and therefore also consumption to be reduced, although several suction cups may not be gripping
- Suitable for both sealed and porous applications
- The integrated internal self-closing valve and calibrated hole can also be used for applications that involve handling at 180°
- Available with male threads in G1/8" - G1/4" and G3/8" versions
- Can be adapted to different types of Gimatic suction cups while maintaining the same dimensions as standard traditional fittings without increasing the overall size

NEW



Technical features

Pressure range	-1 ÷ 8 bar
Weight	4 ÷ 16 g
Material	SS, Al, Nitrile (NBR)
Temperature range	-70 ÷ 200 °C
Maximum pressure drop for each suction cup not gripped with EJ-MEDIUM-HF	2 Kpa
Maximum pressure drop for each suction cup not gripped with EJ-LARGE-HF	1 Kpa

Compatible suction cups

Fitting	1600020	1600021	1600022	1600023	
Suction cups	VG.U22	VG.B33.SFO	VG.U22	VG.IS35P	VG.IS55P
	VG.U33	VG.B42.SFO	VG.U33	VG.B42.SFO	VG.IS45P
	VG.U42	VG.B53.SFO	VG.U42	VG.B53.SFO	VG.CF42
	VG.U53	VG.LB33.SFO	VG.U53	VG.LB33.SFO	VG.FP30
	VG.B33	VG.LB42.SFO	VG.B33	VG.LB42.SFO	VG.FP40
	VG.B42	VG.LB53.SFO	VG.B42	VG.LB53.SFO	VG.BP35
	VG.B53		VG.B53		VG.GX35P
	VG.LB33		VG.LB33		
	VG.LB42		VG.LB42		
	VG.LB53		VG.LB53		

Identification codes			
Drawing	Alphanumeric code	Fittings	Order code
A	FT.G18M.S55.E16	Fitting G1/8" Male with check valve and calibrated hole diameter, hexagon 16 mm	1600020
B	FT.G14M.S75.E17	Fitting G1/4" Male with check valve and calibrated hole diameter, hexagon 17 mm	1600021
C	FT.G14M.S75.E19	Fitting G1/4" Male with check valve and calibrated hole diameter, hexagon 19 mm	1600022
D	FT.G38M.S75.E24	Fitting G3/8" Male with check valve and calibrated hole diameter, hexagon 24 mm	1600023

