

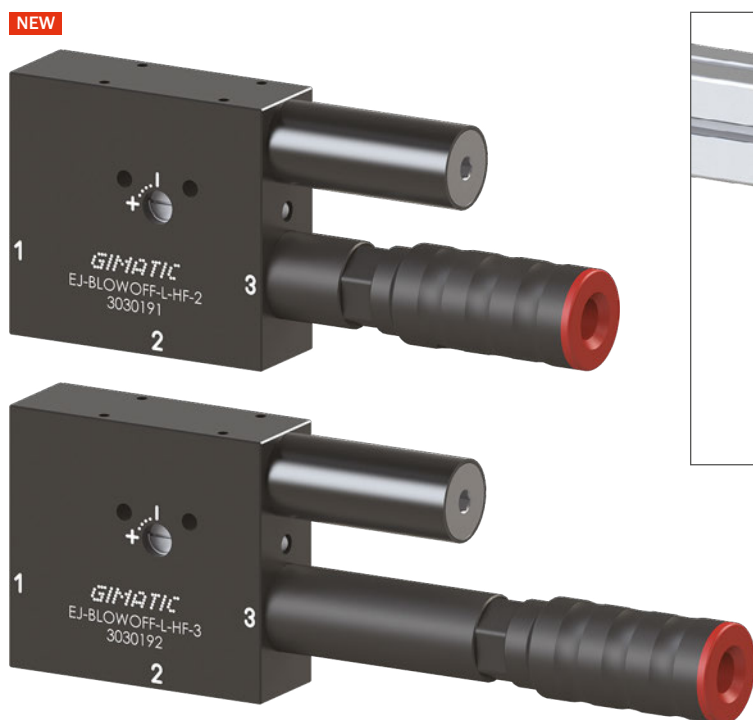
Vacuum pumps / EJ-BLOWOFF

EJ-BLOWOFF-LARGE

- Ideal for centralized applications
- Easy installation and positioning thanks to several mounting options
- Ideal for applications in dusty environments
- Adjustable blow-off for quick release and cleaning of the EJ-LARGE cartridge
- Tank capacity 25 cm³
- G1/2" vacuum port
- Integrated silencer
- Multiple vacuum connections
- Prearranged with VACSW-3N203-G B (PNP) and VACSW-3M203-G (NPN) vacuum switches
- Manifold in POM
- Available with two- and three-stage EJ-LARGE cartridges (EJ-HF – EJ-HV)

Typical applications

- Packaging machines, for the food and pharmaceutical sector
- Machines for the wood industry and for handling porous products
- Machines for the cosmetic industry



Application example



Technical features

Max feed pressure	0.7 MPa
Weight	305 ± 320 g
Material	PA, SS, POM, Al, Nitrile (NBR)
Noise level	< 70 dB

Suction flow rate

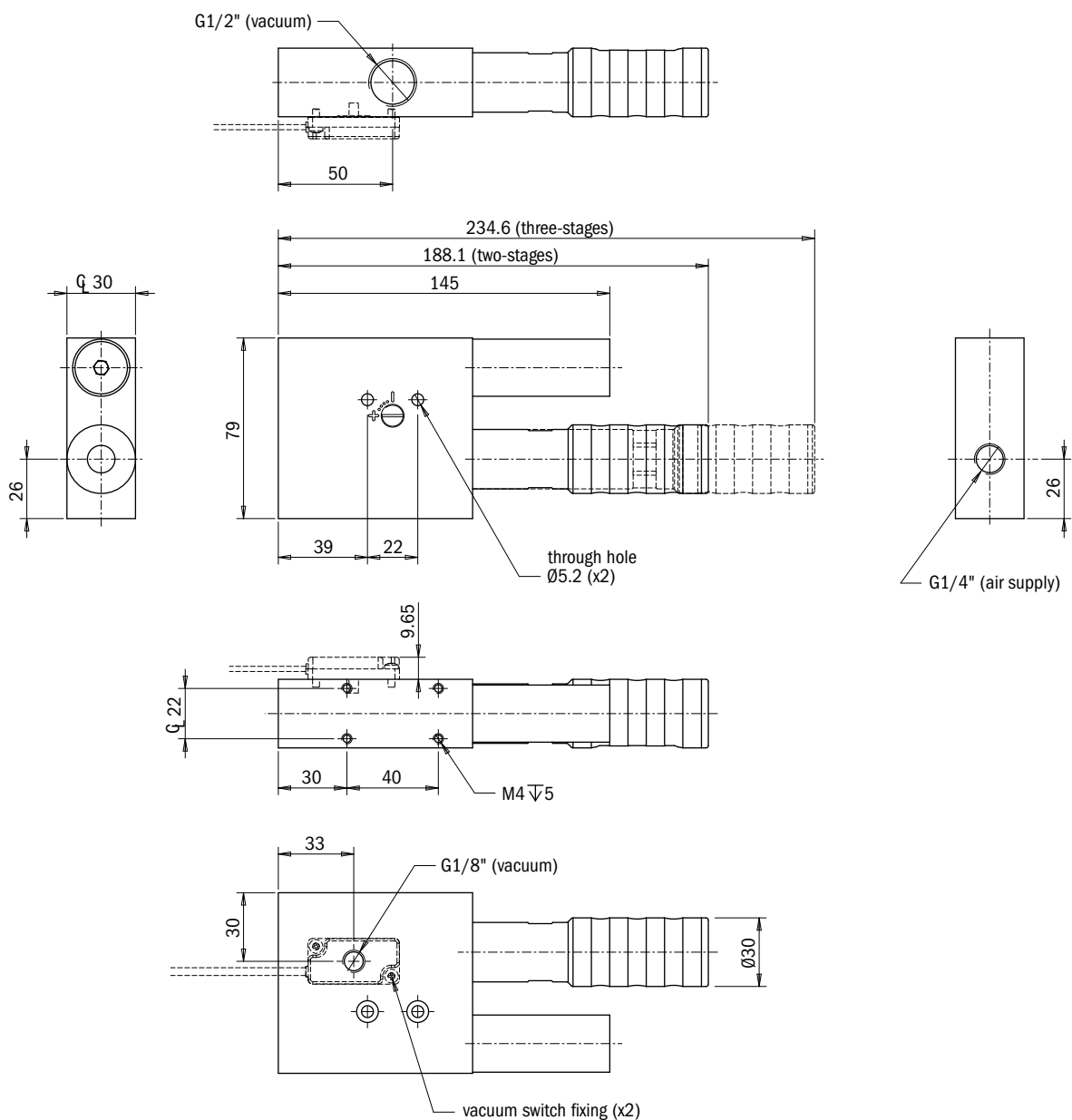
Model	Feed pressure [MPa]	Air consumption [NI/s]	Suction flow rate [NI/s] at different vacuum levels [kPa]										Max vacuum [kPa]
			0	-10	-20	-30	-40	-50	-60	-70	-80	-90	
EJ-BLOWOFF-L-HF-2	0.6	1.7	3.2	3.0	2.5	1.7	0.89	0.62	0.51	0.31	–	–	-73
EJ-BLOWOFF-L-HF-3	0.6	1.7	5.9	3.5	2.5	1.7	0.89	0.62	0.51	0.31	–	–	-73
EJ-BLOWOFF-L-HV-2	0.5	1.93	2.6	2.4	1.7	1.3	0.70	0.55	0.40	0.31	0.15	0.02	-94
EJ-BLOWOFF-L-HV-3	0.5	1.93	6.0	3.7	2.1	1.9	0.79	0.55	0.40	0.31	0.15	0.02	-94

For technical specifications, regarding the suction flow rate and the air consumption at different pressures, please refer to the technical data sheets of the EJ-LARGE cartridges in the two- and three-stage versions

Evacuation time

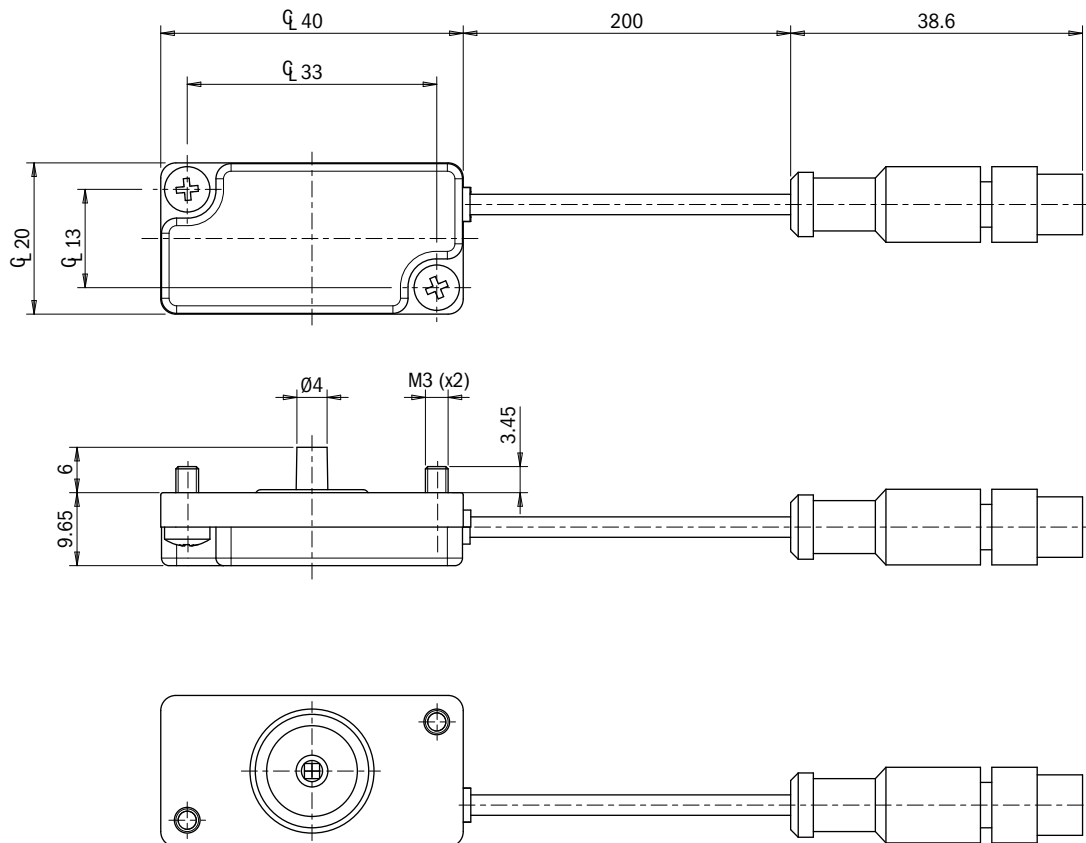
Model	Feed pressure [MPa]	Air consumption [l/s]	Evacuation time [s/l] to reach different vacuum levels [kPa]									Max vacuum [kPa]
			-10	-20	-30	-40	-50	-60	-70	-80	-90	
EJ-BLOWOFF-L-HF-2	0.6	1.7	0.03	0.07	0.12	0.19	0.3	0.4	0.7	—	—	-73
EJ-BLOWOFF-L-HF-3	0.6	1.7	0.02	0.05	0.10	0.19	0.3	0.4	0.7	—	—	-73
EJ-BLOWOFF-L-HV-2	0.5	1.93	0.04	0.09	0.16	0.3	0.4	0.6	0.9	1.3	2.5	-94
EJ-BLOWOFF-L-HV-3	0.5	1.93	0.02	0.06	0.10	0.2	0.3	0.4	0.7	1.1	2.4	-94

For technical specifications regarding the evacuation time and the consumption at different pressures, please refer to the technical data sheets of the EJ-LARGE cartridges, in the two- and three-stage versions



Identification codes

Alphanumeric code	Description	Order code
EJ-BLOWOFF-L-HF-2	EJ-BLOWOFF-LARGE-HF-2 vacuum pump with holder and integrated silencer, G1/2" vacuum port	3030191
EJ-BLOWOFF-L-HF-3	EJ-BLOWOFF-LARGE-HF-3 vacuum pump with holder and integrated silencer, G1/2" vacuum port	3030192
EJ-BLOWOFF-L-HV-2	EJ-BLOWOFF-LARGE-HV-2 vacuum pump with holder and integrated silencer, G1/2" vacuum port	3030193
EJ-BLOWOFF-L-HV-3	EJ-BLOWOFF-LARGE-HV-3 vacuum pump with holder and integrated silencer, G1/2" vacuum port	3030194



Identification codes

Alphanumeric code	Description	Order code
VACSW-30-3N203-G	Pre-set vacuum switch PNP -30 kPa with digital output, cable L= 30 cm with M8x1 3-LPn male connector	3030119
VACSW-50-3N203-G	Pre-set vacuum switch PNP -50 kPa with digital output, cable L= 30 cm with M8x1 3-LPn male connector	3030120
VACSW-70-3N203-G	Pre-set vacuum switch PNP -70 kPa with digital output, cable L= 30 cm with M8x1 3-LPn male connector	3030121
VACSW-30-3M203-G	Pre-set vacuum switch NPN -30 kPa with digital output, cable L= 30 cm with M8x1 3-LPn male connector	3030122
VACSW-50-3M203-G	Pre-set vacuum switch NPN -50 kPa with digital output, cable L= 30 cm with M8x1 3-LPn male connector	3030123
VACSW-70-3M203-G	Pre-set vacuum switch NPN -70 kPa with digital output, cable L= 30 cm with M8x1 3-LPn male connector	3030124



Click for Pricing & Add to Cart