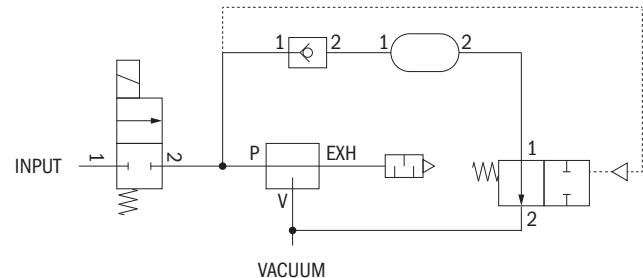


EJ-BSV-MEDIUM

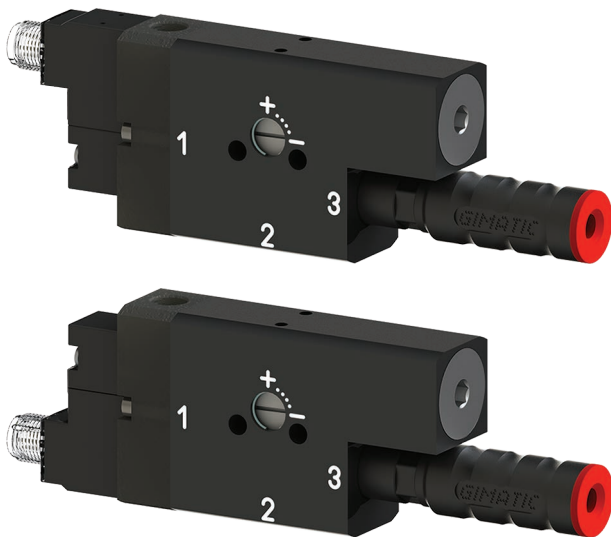
- Ideal for applications in dusty environments
- Adjustable blow-off for quick release and cleaning of the EJ cartridge
- Tank capacity 10 cm³
- Available with Gimatic's integrated vacuum switch, pre-set (-30, -50 and -70 kPa), in the PNP and NPN versions
- The 3/2 valve (NC, NO) feeds the vacuum pump and the blow-off function
- Integrated silencer
- Anodised aluminium manifold
- Available with one two-stage EJ-MEDIUM cartridge (EJ-HF, EJ-HV), high suction flow rate and low energy consumption

Typical applications

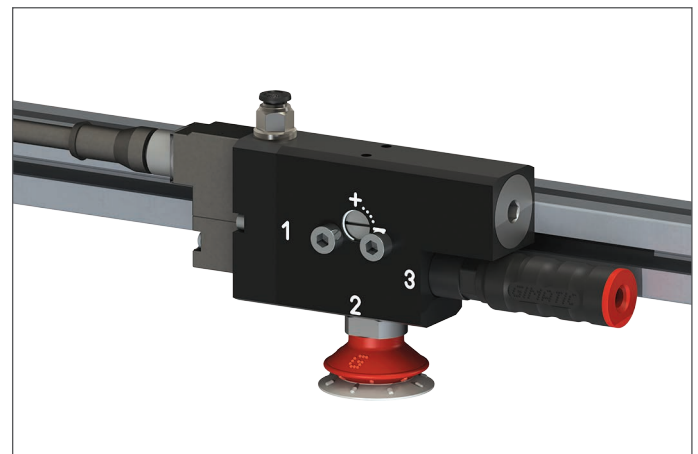
- Packaging machines, for the food and pharmaceutical sector
- Handling of cosmetic products
- Pick-up of porous items (cardboard, wooden sheets)



NEW



Application example



Pump technical features

Max feed pressure	0.7 MPa
Weight (with solenoid valves)	230 g
Material	PA, SS, POM, Al, Nitrile (NBR)
Noise level	< 70 dB
Operating temperature	-5 ÷ +50 °C

Technical features of the solenoid valves

Brand	FIM Valvole
Model	N331/3LB
Operation	3/2 Normally closed (NC)
Orifice	1.6 mm
Type of electrical connection	5-pin M12x1
Drive voltage	24 Vcc ± 10%
Power absorption	2.5 W
Solenoid valve opening response time	< 15 ms
Solenoid valve closing response time	< 10 ms
IP rating	IP65
Standard	ISO 15218 (15 mm)

Suction flow rate

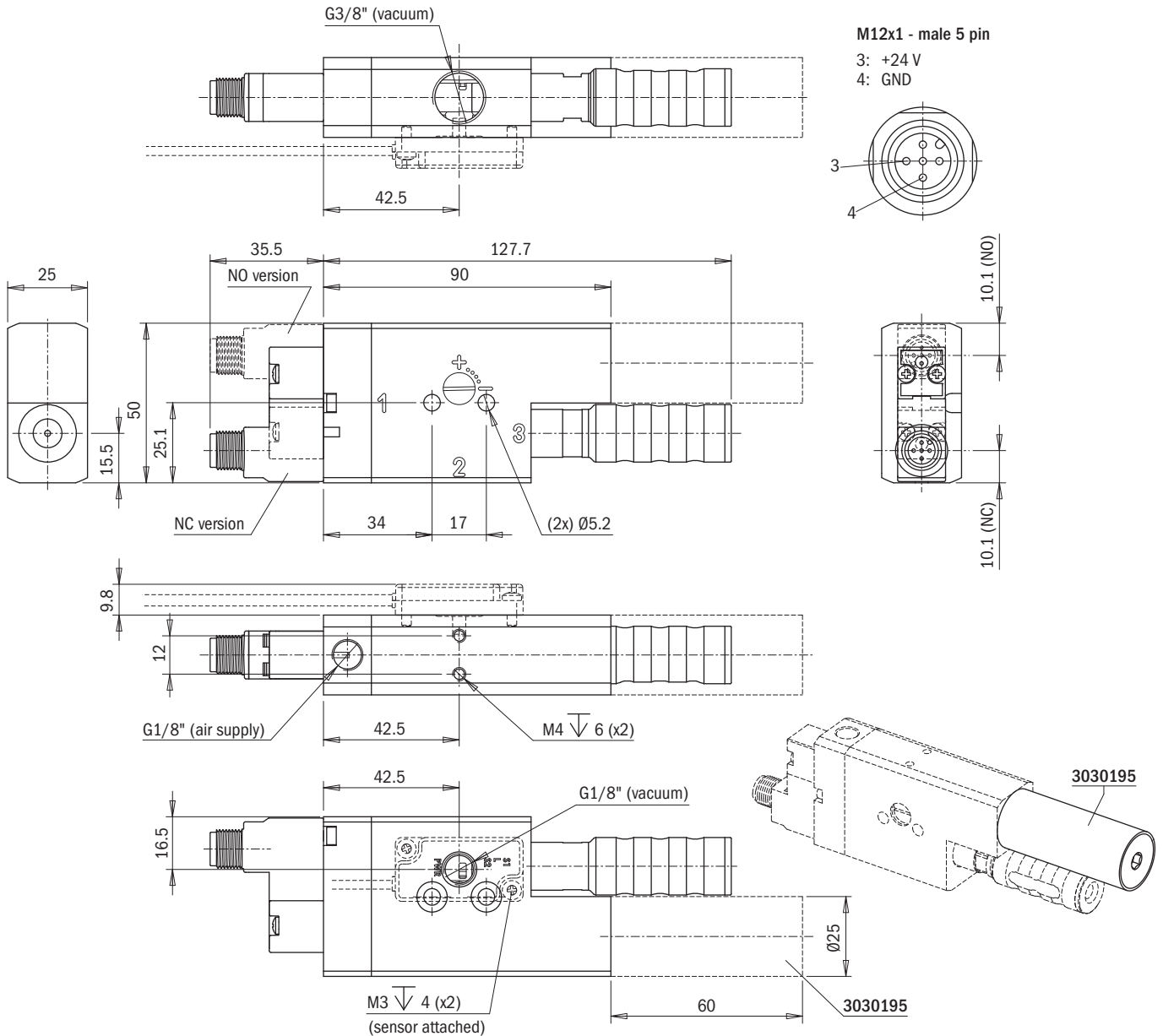
Model	Feed pressure [MPa]	Air consumption [l/s]	Suction flow rate [l/s] at different vacuum levels [kPa]										Max vacuum [kPa]
			0	-10	-20	-30	-40	-50	-60	-70	-80	-90	
EJ-BSV-M-HF-2	0.6	0.43	0.78	0.68	0.52	0.31	0.21	0.15	0.10	0.08	—	—	-73
EJ-BSV-M-HV-2	0.5	0.47	0.76	0.63	0.54	0.32	0.17	0.15	0.11	0.07	0.05	0.01	-94

For technical specifications, regarding the suction flow rate and the air consumption at different pressures, please refer to the technical data sheets of the EJ-MEDIUM cartridges in the two-stage version

Evacuation time

Model	Feed pressure [MPa]	Air consumption [l/s]	Evacuation time [s/l] to reach different vacuum levels [kPa]										Max vacuum [kPa]
			-10	-20	-30	-40	-50	-60	-70	-80	-90		
EJ-BSV-M-HF-2	0.6	0.43	0.13	0.30	0.54	0.9	1.5	2.3	3.2	—	—	-73	
EJ-BSV-M-HV-2	0.5	0.47	0.14	0.32	0.55	1.0	1.6	2.4	3.5	5.1	8.7	-94	

For technical specifications regarding the evacuation time and the consumption at different pressures, please refer to the technical data sheets of the EJ-MEDIUM cartridges, in the two-stage version



Identification codes		
Alphanumeric code	Description	Order code
EJ-BSV-M-HF-2-NC	EJ-BSV-MEDIUM-HF-2 vacuum pump, electrically driven, NC, with holder and integrated silencer	3030198
EJ-BSV-M-HF-2-NC-VSW-30-P	EJ-BSV-MEDIUM-HF-2 vacuum pump, electrically driven, NC, with holder and integrated silencer, pre-set vacuum switch PNP -30 kPa	3030199
EJ-BSV-M-HF-2-NC-VSW-50-P	EJ-BSV-MEDIUM-HF-2 vacuum pump, electrically driven, NC, with holder and integrated silencer, pre-set vacuum switch PNP -50 kPa	3030200
EJ-BSV-M-HF-2-NC-VSW-70-P	EJ-BSV-MEDIUM-HF-2 vacuum pump, electrically driven, NC, with holder and integrated silencer, pre-set vacuum switch PNP -70 kPa	3030201
EJ-BSV-M-HF-2-NC-VSW-30-N	EJ-BSV-MEDIUM-HF-2 vacuum pump, electrically driven, NC, with holder and integrated silencer, pre-set vacuum switch NPN -30 kPa	3030202
EJ-BSV-M-HF-2-NC-VSW-50-N	EJ-BSV-MEDIUM-HF-2 vacuum pump, electrically driven, NC, with holder and integrated silencer, pre-set vacuum switch NPN -50 kPa	3030203
EJ-BSV-M-HF-2-NC-VSW-70-N	EJ-BSV-MEDIUM-HF-2 vacuum pump, electrically driven, NC, with holder and integrated silencer, pre-set vacuum switch NPN -70 kPa	3030204
EJ-BSV-M-HF-2-NO	EJ-BSV-MEDIUM-HF-2 vacuum pump, electrically driven, NO, with holder and integrated silencer	3030212
EJ-BSV-M-HF-2-NO-VSW-30-P	EJ-BSV-MEDIUM-HF-2 vacuum pump, electrically driven, NO, with holder and integrated silencer, pre-set vacuum switch PNP -30 kPa	3030213
EJ-BSV-M-HF-2-NO-VSW-50-P	EJ-BSV-MEDIUM-HF-2 vacuum pump, electrically driven, NO, with holder and integrated silencer, pre-set vacuum switch PNP -50 kPa	3030214
EJ-BSV-M-HF-2-NO-VSW-70-P	EJ-BSV-MEDIUM-HF-2 vacuum pump, electrically driven, NO, with holder and integrated silencer, pre-set vacuum switch PNP -70 kPa	3030215
EJ-BSV-M-HF-2-NO-VSW-30-N	EJ-BSV-MEDIUM-HF-2 vacuum pump, electrically driven, NO, with holder and integrated silencer, pre-set vacuum switch NPN -30 kPa	3030216
EJ-BSV-M-HF-2-NO-VSW-50-N	EJ-BSV-MEDIUM-HF-2 vacuum pump, electrically driven, NO, with holder and integrated silencer, pre-set vacuum switch NPN -50 kPa	3030217
EJ-BSV-M-HF-2-NO-VSW-70-N	EJ-BSV-MEDIUM-HF-2 vacuum pump, electrically driven, NO, with holder and integrated silencer, pre-set vacuum switch NPN -70 kPa	3030218
EJ-BLOWOFF-KIT	NEW Blow-off tank expansion kit	3030195

For more information and technical data on the pre-set vacuum switches described, please see the accessories section on page 494

Identification codes		
Alphanumeric code	Description	Order code
EJ-BSV-M-HV-2-NC	EJ-BSV-MEDIUM-HV-2 vacuum pump, electrically driven, NC, with holder and integrated silencer	3030170
EJ-BSV-M-HV-2-NC-VSW-30-P	EJ-BSV-MEDIUM-HV-2 vacuum pump, electrically driven, NC, with holder and integrated silencer, pre-set vacuum switch PNP -30 kPa	3030171
EJ-BSV-M-HV-2-NC-VSW-50-P	EJ-BSV-MEDIUM-HV-2 vacuum pump, electrically driven, NC, with holder and integrated silencer, pre-set vacuum switch PNP -50 kPa	3030172
EJ-BSV-M-HV-2-NC-VSW-70-P	EJ-BSV-MEDIUM-HV-2 vacuum pump, electrically driven, NC, with holder and integrated silencer, pre-set vacuum switch PNP -70 kPa	3030173
EJ-BSV-M-HV-2-NC-VSW-30-N	EJ-BSV-MEDIUM-HV-2 vacuum pump, electrically driven, NC, with holder and integrated silencer, pre-set vacuum switch NPN -30 kPa	3030174
EJ-BSV-M-HV-2-NC-VSW-50-N	EJ-BSV-MEDIUM-HV-2 vacuum pump, electrically driven, NC, with holder and integrated silencer, pre-set vacuum switch NPN -50 kPa	3030175
EJ-BSV-M-HV-2-NC-VSW-70-N	EJ-BSV-MEDIUM-HV-2 vacuum pump, electrically driven, NC, with holder and integrated silencer, pre-set vacuum switch NPN -70 kPa	3030176
EJ-BSV-M-HV-2-NO	EJ-BSV-MEDIUM-HV-2 vacuum pump, electrically driven, NO, with holder and integrated silencer	3030184
EJ-BSV-M-HV-2-NO-VSW-30-P	EJ-BSV-MEDIUM-HV-2 vacuum pump, electrically driven, NO, with holder and integrated silencer, pre-set vacuum switch PNP -30 kPa	3030185
EJ-BSV-M-HV-2-NO-VSW-50-P	EJ-BSV-MEDIUM-HV-2 vacuum pump, electrically driven, NO, with holder and integrated silencer, pre-set vacuum switch PNP -50 kPa	3030186
EJ-BSV-M-HV-2-NO-VSW-70-P	EJ-BSV-MEDIUM-HV-2 vacuum pump, electrically driven, NO, with holder and integrated silencer, pre-set vacuum switch PNP -70 kPa	3030187
EJ-BSV-M-HV-2-NO-VSW-30-N	EJ-BSV-MEDIUM-HV-2 vacuum pump, electrically driven, NO, with holder and integrated silencer, pre-set vacuum switch NPN -30 kPa	3030188
EJ-BSV-M-HV-2-NO-VSW-50-N	EJ-BSV-MEDIUM-HV-2 vacuum pump, electrically driven, NO, with holder and integrated silencer, pre-set vacuum switch NPN -50 kPa	3030189
EJ-BSV-M-HV-2-NO-VSW-70-N	EJ-BSV-MEDIUM-HV-2 vacuum pump, electrically driven, NO, with holder and integrated silencer, pre-set vacuum switch NPN -70 kPa	3030190

For more information and technical data on the pre-set vacuum switches described, please see the accessories section on page 494