

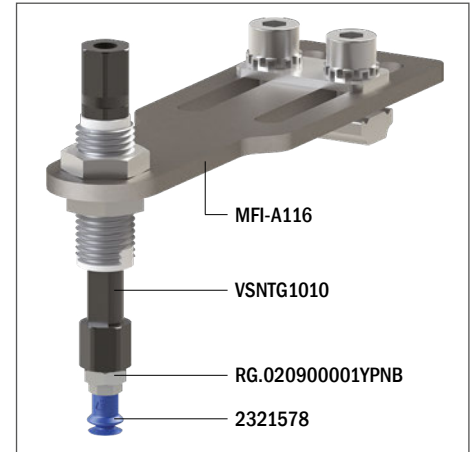
Suction cups / EPDM-HNBR

VG.B6 EPDM-HNBR bellows suction cups

- Suitable for handling plastic parts
- Suitable for objects with flat or slightly curved surfaces
- They enable to compensate for differences in height
- The HNBR version enables to work at high temperatures, whereas silicone or other mixtures may release traces of material. Ideal for applications where contamination of the material must be avoided (PWIS)
- The HNBR compound is robust and wear resistant, suitable for the removal of hot plastic parts from the relevant moulds



Application example



Technical data

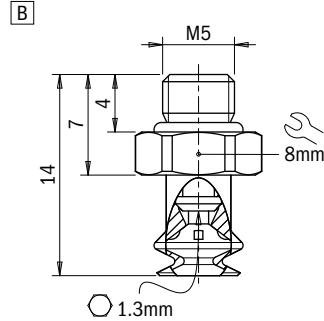
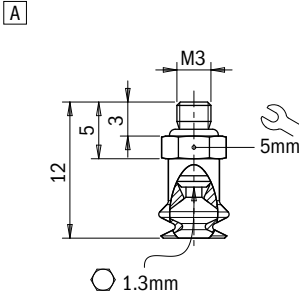
Material	Lifting force [N] perpendicular to the surface, at various vacuum levels			Lifting force [N] parallel to the surface, at various vacuum levels			Volume [cm ³]	Min curve radius [mm]	Max vertical movement [mm]	Suction cup weight [g]
	-20 kPa	-60 kPa	-90 kPa	-20 kPa	-60 kPa	-90 kPa				
EPDM 50	0.25	0.78	1.1	–	–	–	0.05	1.5	1.5	0.1
HNBR 60	0.25	0.78	1.1	–	–	–	0.05	1.5	1.5	0.1

Technical features

Material	Color	Hardness	Temperature range
EPDM	Black	50 Shore	-40 - +212 °F
HNBR	Blue	60 Shore	-13 - +302 °F

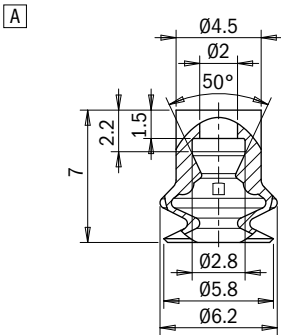
Identification codes

Drawing	Alphanumeric code	Suction cups with fitting	Order code
A	VG.B6E.50.M3M.E5	VG.B6 suction cup, EPDM, 50 Shore, M3 male, 5 mm hex	2321576
A	VG.B6H.60.M3M.E5	VG.B6 suction cup, HNBR, 60 Shore, M3 male, 5 mm hex	2321578
B	VG.B6E.50.M5M.E8	VG.B6 suction cup, EPDM, 50 Shore, M5 male, 8 mm hex	2321076
B	VG.B6H.60.M5M.E8	VG.B6 suction cup, HNBR, 60 Shore, M5 male, 8 mm hex	2321078



Identification codes

Drawing	Alphanumeric code	Suction cups	Order code
A	VG.B6E.50	VG.B6 suction cup, EPDM, 50 Shore	2321577
A	VG.B6H.60	VG.B6 suction cup, HNBR, 60 Shore	2321579



Click for Pricing & Add to Cart



Identification codes

Drawing	Alphanumeric code	Fittings	Order code
A	FT.M3M.E5	M3 male fitting, hex, 5 mm	2321402
B	FT.M5M.E8.06	M5 male fitting, hex, 8 mm	2321005

