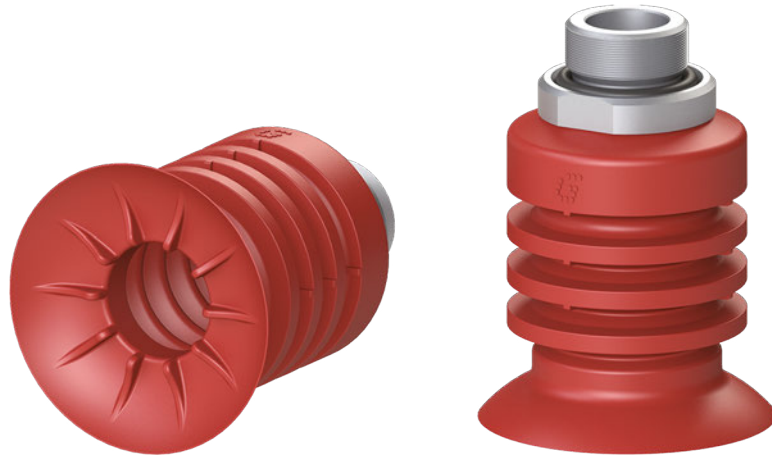


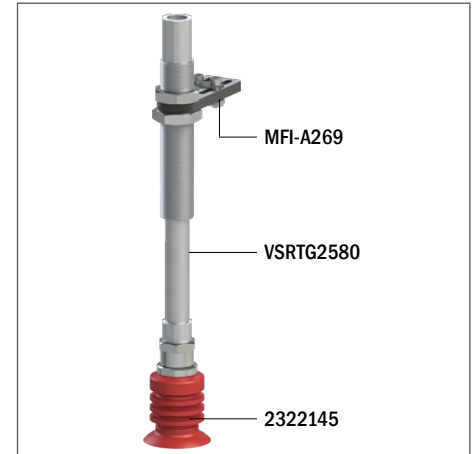
Suction cups / Silicone

VG.BC50S multi-bellows suction cups in silicone

- Ideal for handling bags containing fragile products and bags with liquids and frozen foods
- Strong bellows, soft and flexible lip and special high flow rate fittings
- Version with 4.5 bellows
- They enable to compensate for level differences



Application example



Technical data

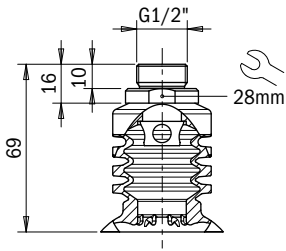
Material	Lifting force [N] perpendicular to the surface, at various vacuum levels		Volume [cm ³]	Min curve radius [mm]	Max vertical movement [mm]	Suction cup weight [g]
	-20 kPa	-60 kPa				
SIL 40	26.3	28.2	26	30	18	29

Technical features

Material	Color	Hardness	Temperature range
Silicone 40	Red	40 Shore	-94 - +392 °F

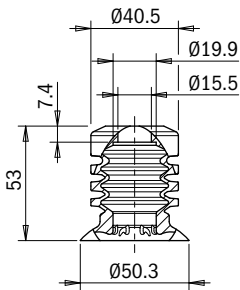
Identification codes			
Drawing	Alphanumeric code	Suction cups with fitting	Order code
A	VG.BC50S.40.G12M	VG.BC50 suction cup, silicone, 40 Shore, G1/2" male	2322145

A



Identification codes			
Drawing	Alphanumeric code	Suction cups	Order code
A	VG.BC50S.40	VG.BC50 suction cup, silicone, 40 Shore	2322146

A



Identification codes			
Drawing	Alphanumeric code	Fittings	Order code
A	FT.G12M.20	G1/2" male fitting	2000012

A

