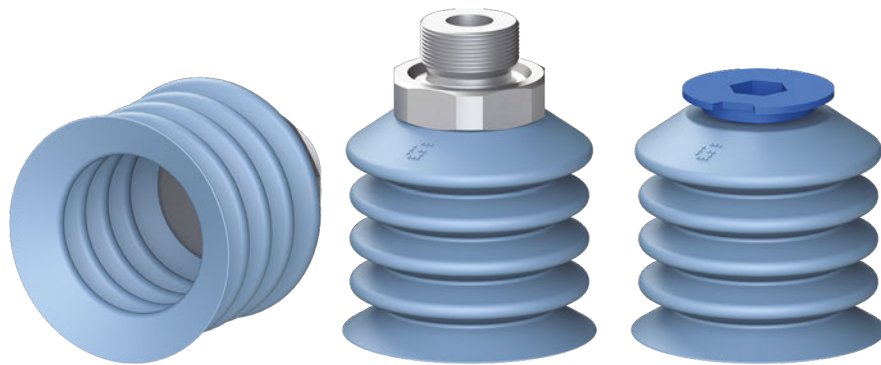


Suction cups / Detectable FDA-compliant silicone

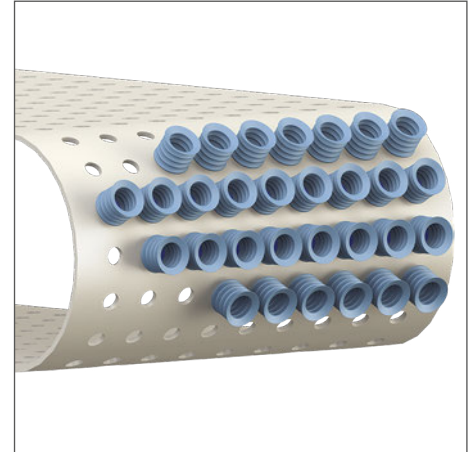
VG.BDT40 multi-bellows suction cups in detectable FDA-compliant silicone

- Ideal for handling food products
- Detectable FDA-compliant silicone compliant with FDA 21 CFR 177.2600 standards
- Available with separable, acid-resistant, food-grade stainless steel fitting
- Easy to clean thanks to the hygienic design with no cavities where food dust or dirt might build up
- Available with clips for connection to demoulders in the bakery sector

NEW



Application example



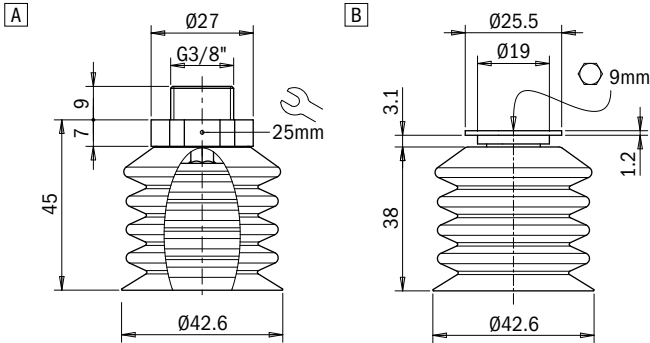
Technical data

Material	Lifting force [N] perpendicular to the surface, at various vacuum levels			Lifting force [N] parallel to the surface, at various vacuum levels			Volume [cm ³]	Min curve radius [mm]	Max vertical movement [mm]	Suction cup weight [g]
	-20 kPa	-60 kPa	-90 kPa	-20 kPa	-60 kPa	-90 kPa				
SIL40 FDA RIL	14.3	23.5	–	4.6	19.4	–	29.0	15.9	28.0	8.2

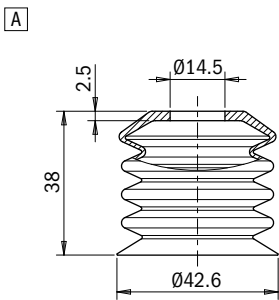
Technical features

Material	Color	Hardness	Temperature range
Detectable SIL FDA-compliant silicone	Blue	40 Shore	-40 - +392 °F

Identification codes			
Drawing	Alphanumeric code	Suction cups with fitting	Order code
A	VG.BDT40F40.G38M	VG.BDT40 suction cup, detectable FDA-compliant silicone, 40 Shore, G3/8" male, 25 mm hex, stainless steel	2322174
B	VG.BDT40F40.CF	VG.BDT40 suction cup, detectable FDA-compliant silicone, 40 Shore, fixing clip, 9 mm hex	2322176



Identification codes			
Drawing	Alphanumeric code	Suction cups	Order code
A	VG.BDT40F40	VG.BDT40 suction cup, detectable FDA-compliant silicone, 40 Shore	2322175



Identification codes			
Drawing	Alphanumeric code	Fittings	Order code
A	FT.G38M.E26.INOX	G3/8" male fitting, 25 mm hex, stainless steel	1500038
B	FT.9.CLIP	Fixing clip connection, 9 mm hex	1500009

