

# Suction cups / FDA-compliant silicone

## VG.BPG41FSI multi-bellows suction cups in FDA-compliant silicone

- Suitable for handling bags, pouches and flexible packages for solids and liquids
- Version with 1.5 bellows
- Suction cups in FDA-compliant silicone
- Ideal for handling unpackaged food products such as pralines or biscuits with porous and uneven surfaces
- Reinforced bellows for higher grip stability
- The lip of the suction cup has been designed to maximise the grip and allow perfect adhesion even on wrinkles without damaging the grip surfaces

**NEW**



Application example



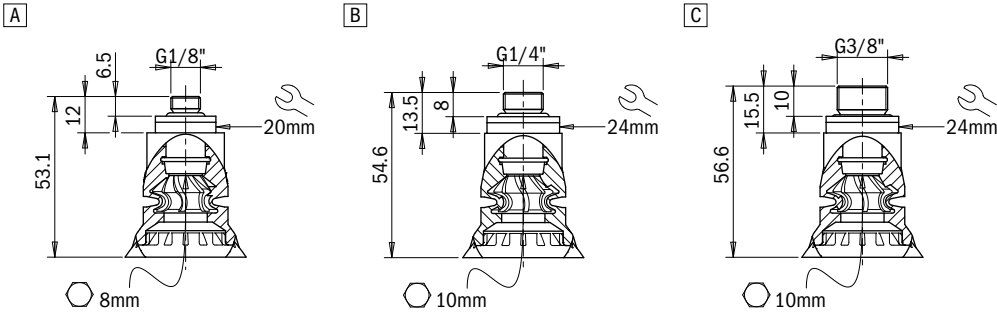
### Technical data

Material	Lifting force [N] perpendicular to the surface, at various vacuum levels			Lifting force [N] parallel to the surface, at various vacuum levels			Volume [cm <sup>3</sup> ]	Min curve radius [mm]	Max vertical movement [mm]	Suction cup weight [g]
	-20 kPa	-50 kPa	-60 kPa	-20 kPa	-50 kPa	-60 kPa				
SIL 40 FDA	14	19.4	23.7	8.3	13	15.9	13.4	20.5	3.5	13.7

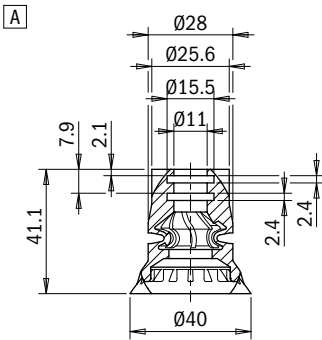
### Technical features

Material	Color	Hardness	Temperature range
Silicone, FDA SIL	Transparent	40 Shore	-94 - +392 °F

Identification codes			
Drawing	Alphanumeric code	Suction cups with fitting	Order code
A	VG.BPG41FSI.40.G18M	VG.BPG41 suction cup, FDA-compliant silicone, 40 Shore, G1/8" male	2323089
B	VG.BPG41FSI.40.G14M	VG.BPG41 suction cup, FDA-compliant silicone, 40 Shore, G1/4" male	2323091
C	VG.BPG41FSI.40.G38M	VG.BPG41 suction cup, FDA-compliant silicone, 40 Shore, G3/8" male	2323092



Identification codes			
Drawing	Alphanumeric code	Suction cups	Order code
A	VG.BPG41FSI.40	VG.BPG41 suction cup, FDA-compliant silicone, 40 Shore	2323090



Identification codes			
Drawing	Alphanumeric code	Fittings	Order code
A	FT.G18M.E8	G1/8" male fitting	1900017
B	FT.G14M.E10	G1/4" male fitting	1900013
C	FT.G38M.E10	G3/8" male fitting	1900037

