

Suction cups / FDA-compliant silicone

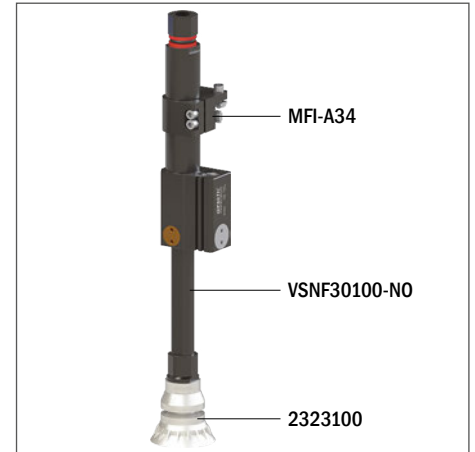
VG.BPG55FSI multi-bellows suction cups in FDA-compliant silicone

- Suitable for handling bags, pouches and flexible packages for solids and liquids
- Version with 1.5 bellows
- Suction cups in FDA-compliant silicone
- Ideal for handling unpackaged food products such as pralines or biscuits with porous and uneven surfaces
- Reinforced bellows for higher grip stability
- The lip of the suction cup has been designed to maximise the grip and allow perfect adhesion even on wrinkles without damaging the grip surfaces

NEW



Fixing example



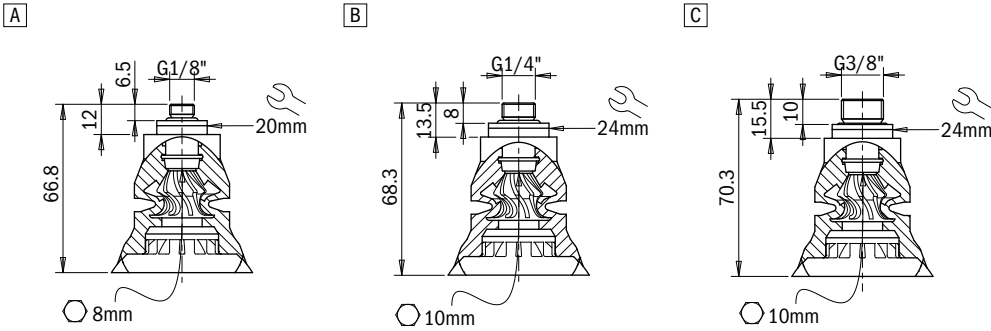
Technical data

Material	Lifting force [N] perpendicular to the surface, at various vacuum levels			Lifting force [N] parallel to the surface, at various vacuum levels			Volume [cm ³]	Min curve radius [mm]	Max vertical movement [mm]	Suction cup weight [g]
	-20 kPa	-50 kPa	-60 kPa	-20 kPa	-50 kPa	-60 kPa				
SIL 40 FDA	22	35.8	48.7	15.2	22.3	31.2	31.8	27.5	5.3	32.5

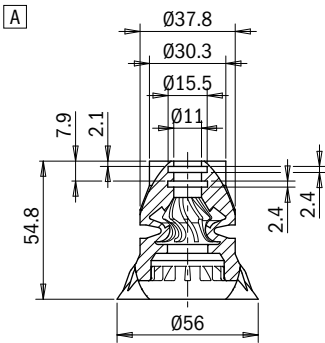
Technical features

Material	Color	Hardness	Temperature range
Silicone, FDA SIL	Transparent	40 Shore	-94 - +392 °F

Identification codes			
Drawing	Alphanumeric code	Suction cups with fitting	Order code
A	VG.BPG55FSI.40.G18M	VG.BPG55 suction cup, FDA-compliant silicone, 40 Shore, G1/8" male	2323097
B	VG.BPG55FSI.40.G14M	VG.BPG55 suction cup, FDA-compliant silicone, 40 Shore, G1/4" male	2323099
C	VG.BPG55FSI.40.G38M	VG.BPG55 suction cup, FDA-compliant silicone, 40 Shore, G3/8" male	2323100



Identification codes			
Drawing	Alphanumeric code	Suction cups	Order code
A	VG.BPG55FSI.40	VG.BPG55 suction cup, FDA-compliant silicone, 40 Shore	2323098



Identification codes			
Drawing	Alphanumeric code	Fittings	Order code
A	FT.G18M.E8	G1/8" male fitting	1900017
B	FT.G14M.E10	G1/4" male fitting	1900013
C	FT.G38M.E10	G3/8" male fitting	1900037

