

# Suction cups / Polyurethane

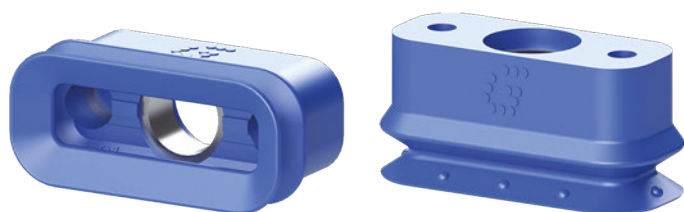
## VG.BR20X45 rectangular bellows suction cups in polyurethane

- Suitable for handling snack foods and food bars in flow packs
- Version with 1.5 bellows
- Ideal for picking up an object and placing it on its side
- Thin lip capable of adapting perfectly to the plastic film

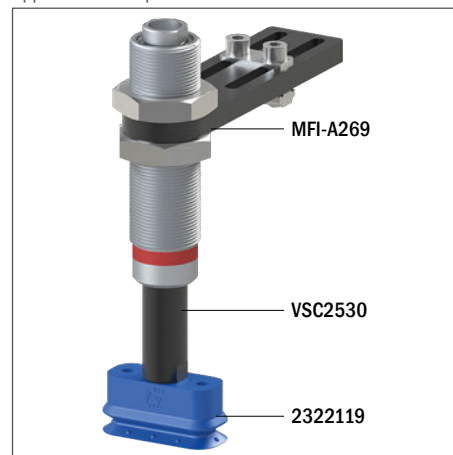
Introduction

Vacuum theory

Suction cups



Application example



### Technical data

Material	Lifting force [N] perpendicular to the surface, at various vacuum levels			Lifting force [N] parallel to the surface, at various vacuum levels			Volume [cm <sup>3</sup> ]	Min curve radius [mm]	Max vertical movement [mm]	Suction cup weight [g]
	-20 kPa	-60 kPa	-90 kPa	-20 kPa	-60 kPa	-90 kPa				
PU50	15.2	26.4	39.3	21.2	33.4	54	6.1	15	6	7.5

Vacuum pumps

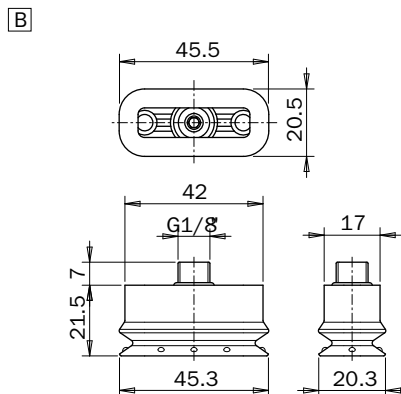
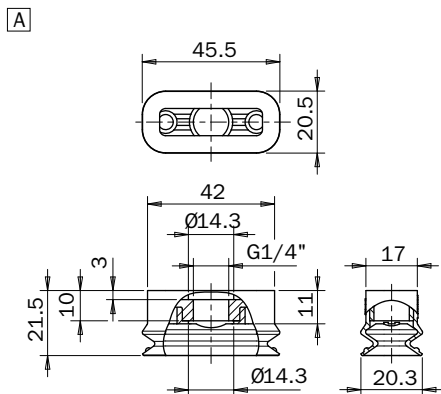
### Technical features

Material	Color	Hardness	Temperature range
Polyurethane PU50 Shore	Blue	50 Shore	+50 - +113 °F

Customised solutions

### Identification codes

Drawing	Alphanumeric code	Suction cups with fitting	Order code
A	VG.BR20X45P.50.G14F	VG.BR20X45 suction cup, polyurethane, 50 Shore, G1/4" Female	2322119
B	VG.BR20X45P.50.G18M	VG.BR20X45 suction cup, polyurethane, 50 Shore, G1/8" Male	2321119



Suspensions

System accessories