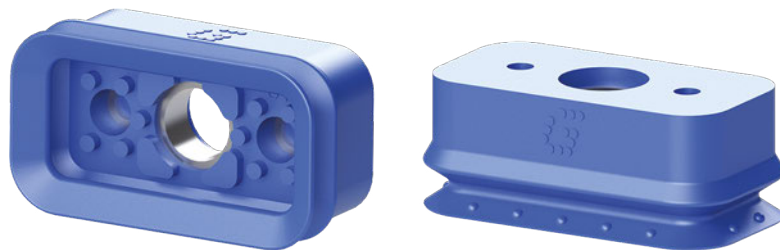
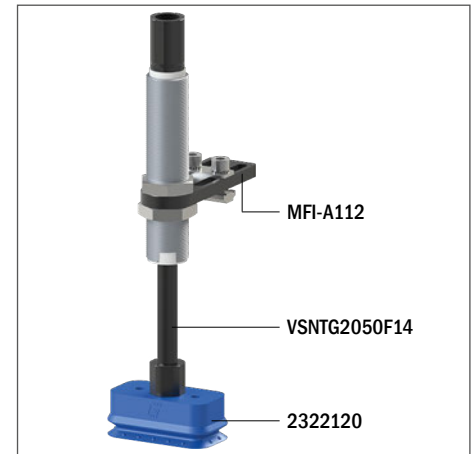


VG.BR30X55 rectangular bellows suction cups in polyurethane

- Suitable for handling snack foods and food bars in flow packs
- Version with 1.5 bellows
- Capable of handling objects with small level differences
- Suitable for applications where grips are parallel or perpendicular to the surface
- Lip capable of adapting perfectly to the plastic film
- Ideal for picking up an object and placing it on its side
- The embossed tread pattern prevents damage to the handled product and implosion of the lip



Application example



Technical data

Material	Lifting force [N] perpendicular to the surface, at various vacuum levels			Lifting force [N] parallel to the surface, at various vacuum levels			Volume [cm ³]	Min curve radius [mm]	Max vertical movement [mm]	Suction cup weight [g]
	-20 kPa	-60 kPa	-90 kPa	-20 kPa	-60 kPa	-90 kPa				
PU50	23.4	65.3	88.4	24.2	65.4	89.2	16	28	7	16.2

Technical features

Material	Color	Hardness	Temperature range
Polyurethane PU50 Shore	Blue	50 Shore	+50 - +113 °F

Identification codes

Drawing	Alphanumeric code	Suction cups with fitting	Order code
A	VG.BR30X55P.50.G14F	VG.BR30X55 suction cup, polyurethane, 50 Shore, G1/4" Female	2322120
B	VG.BR30X55P.50.G18M	VG.BR30X55 suction cup, polyurethane, 50 Shore, G1/8" Male	2321120

