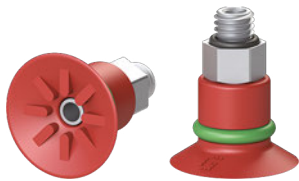
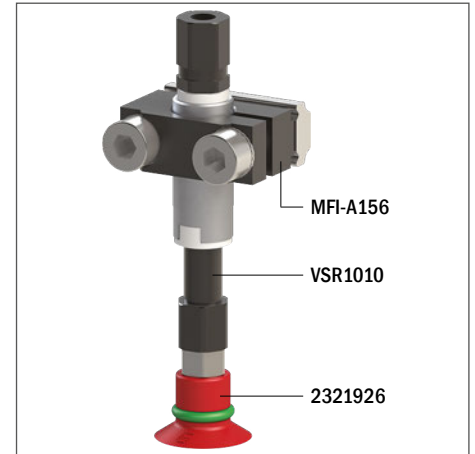


Suction cups / Silicone

VG.CF16 flat suction cups, silicone, with reinforcements

- Ideal for handling plastic parts, dry sheet metal and cardboard
- Suitable for items with flat surfaces
- Suitable for handling items with lifting force parallel to the surface thanks to the reinforcements that increase friction and prevent deformations
- The silicone version enables to work at high and low temperatures

Application example



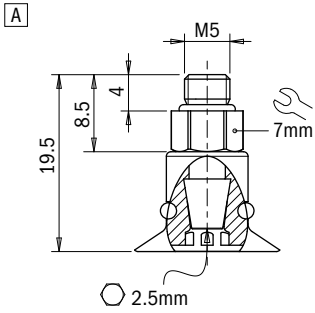
Technical data

Material	Lifting force [N] perpendicular to the surface, at various vacuum levels			Lifting force [N] parallel to the surface, at various vacuum levels			Volume [cm ³]	Min curve radius [mm]	Max vertical movement [mm]	Suction cup weight [g]
	-20 kPa	-60 kPa	-90 kPa	-20 kPa	-60 kPa	-90 kPa				
SIL 50	3.3	8.7	10.1	3.2	6.5	7.6	0.37	13	1	0.7

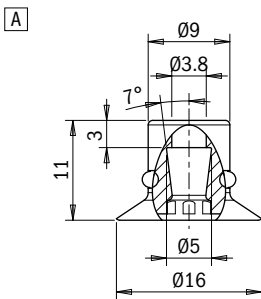
Technical features

Material	Color	Hardness	Temperature range
Silicone	Red	50 Shore	-94 - +392 °F

Identification codes			
Drawing	Alphanumeric code	Suction cups with fitting	Order code
A	VG.CF16S.50.M5M	VG.CF16 suction cup, silicone, 50 shore, M5 male	2321926



Identification codes			
Drawing	Alphanumeric code	Suction cups	Order code
A	VG.CF16S.50	VG.CF16 suction cup, silicone, 50 Shore	2321927



Click for Pricing & Add to Cart



Identification codes			
Drawing	Alphanumeric code	Fittings	Order code
A	FT.M5M	M5 male fitting	1600005

