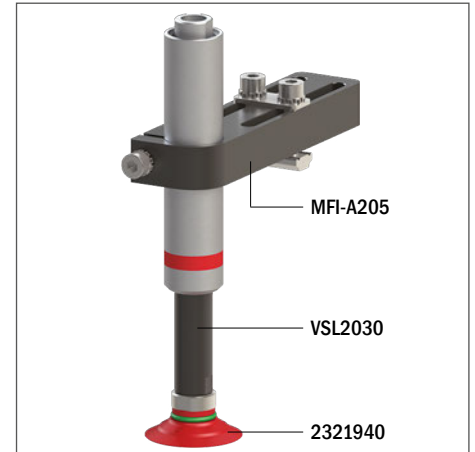


Suction cups / Silicone

VG.CF33 flat suction cups, silicone, with reinforcements

- Ideal for handling plastic parts, dry sheet metal and cardboard
- Suitable for items with flat surfaces
- Suitable for handling items with lifting force parallel to the surface thanks to the reinforcements that increase friction and prevent deformations
- The silicone version enables to work at high and low temperatures

Application example



Technical data

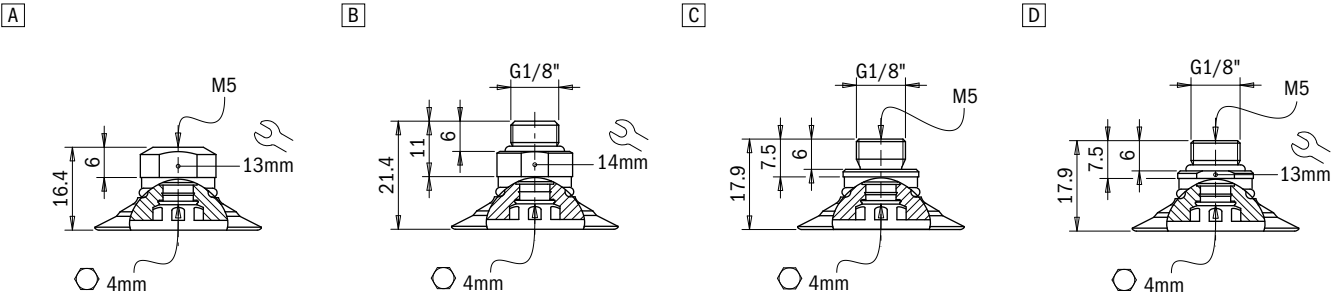
Material	Lifting force [N] perpendicular to the surface, at various vacuum levels			Lifting force [N] parallel to the surface, at various vacuum levels			Volume [cm ³]	Min curve radius [mm]	Max vertical movement [mm]	Suction cup weight [g]
	-20 kPa	-60 kPa	-90 kPa	-20 kPa	-60 kPa	-90 kPa				
SIL 50	12.4	32.3	41.5	11	16.2	20.8	2	25	2	2.1

Technical features

Material	Color	Hardness	Temperature range
Silicone	Red	50 Shore	-94 - +392 °F

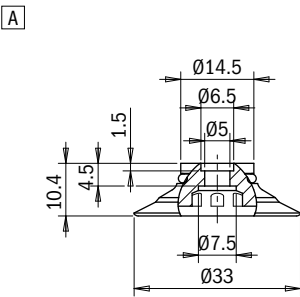
Identification codes

Drawing	Alphanumeric code	Suction cups with fitting	Order code
A	VG.CF33S.50.M5F	VG.CF33 suction cup, silicone, 50 Shore, M5 female	2321938
B	VG.CF33S.50.G18M	VG.CF33 suction cup, silicone, 50 Shore, G1/8" male	2321940
C	VG.CF33S.50.G18MF	VG.CF33 suction cup, silicone, 50 Shore, G1/8" male/M5 female	2321941
D	VG.CF33S.50.G18MFV	VG.CF33 suction cup, silicone, 50 Shore, G1/8" male/M5 female with valve	2321942



Identification codes

Drawing	Alphanumeric code	Suction cups	Order code
A	VG.CF33S.50	VG.CF33 suction cup, silicone, 50 Shore	2321939



Identification codes

Drawing	Alphanumeric code	Fittings	Order code
A	FT.M5F	Fitting, M5 female	1700006
B	FT.G18M.17	G1/8" male fitting	1700018
C	FT.G18M.M5F	G1/8" male / M5 female fitting	1700016
D	FT.G18M.M5F.VF	G1/8" male / M5 female fitting, with valve	1700017

