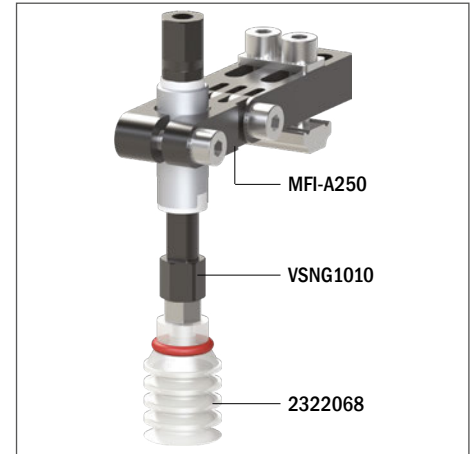


Suction cups / FDA-compliant silicone

VG.FP15F multi-bellows suction cups in FDA-compliant silicone

- The silicone is FDA-compliant and therefore suitable for handling unpackaged food
- Suitable for level compensation
- High vertical movement, useful for separating thin parts

Application example



Technical data

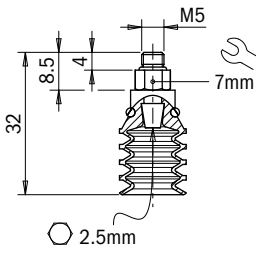
Material	Lifting force [N] perpendicular to the surface, at various vacuum levels			Lifting force [N] parallel to the surface, at various vacuum levels			Volume [cm ³]	Min curve radius [mm]	Max vertical movement [mm]	Suction cup weight [g]
	-20 kPa	-60 kPa	-90 kPa	-20 kPa	-60 kPa	-90 kPa				
SIL 50 FDA	0.2	0.23	–	–	–	–	1.05	2	8	0.9

Technical features

Material	Color	Hardness	Temperature range
Silicone, FDA SIL	Transparent	50 Shore	-94 - +392 °F

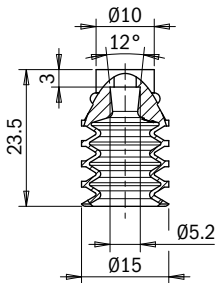
Identification codes			
Drawing	Alphanumeric code	Suction cups with fitting	Order code
A	VG.FP15F.50.M5M	VG.FP15 suction cup, FDA-compliant silicone, 50 Shore, M5 male	2322068

A



Identification codes			
Drawing	Alphanumeric code	Suction cups	Order code
A	VG.FP15F.50	VG.FP15 suction cup, FDA-compliant silicone, 50 Shore	2322069

A



Identification codes			
Drawing	Alphanumeric code	Fittings	Order code
A	FT.M5M	M5 male fitting	1600005

A

