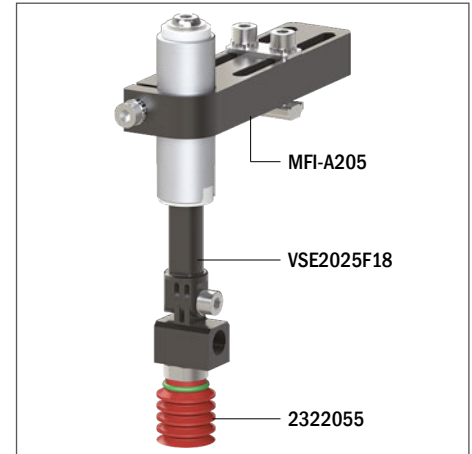


# Suction cups / Silicone

## VG.FP20S multi-bellows suction cups in silicone

- Ideal for handling packaged snack foods
- Suitable for level compensation
- High vertical movement, useful for separating thin parts
- It can be equipped with a perforated disc to increase stability and to allow the handling of thin films

Application example



### Technical data

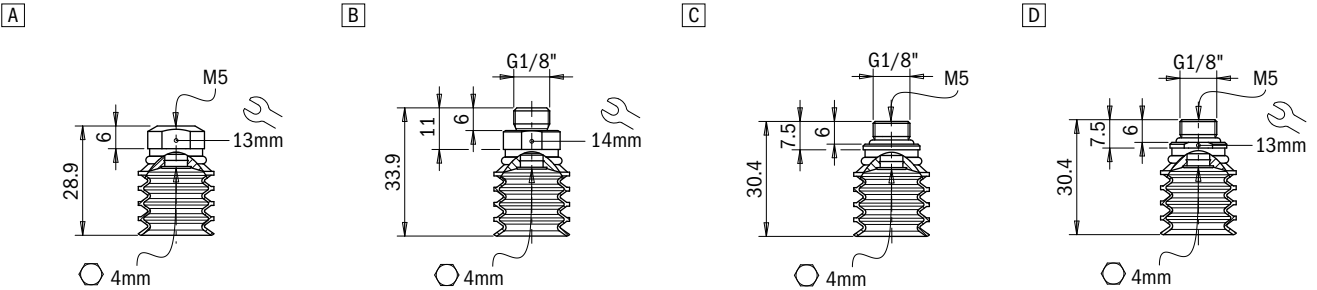
Material	Lifting force [N] perpendicular to the surface, at various vacuum levels			Lifting force [N] parallel to the surface, at various vacuum levels			Volume [cm <sup>3</sup> ]	Min curve radius [mm]	Max vertical movement [mm]	Suction cup weight [g]
	-20 kPa	-60 kPa	-90 kPa	-20 kPa	-60 kPa	-90 kPa				
SIL 50	0.35	0.7	–	–	–	–	4	4	13	3

### Technical features

Material	Color	Hardness	Temperature range
Silicone	Red	50 Shore	-94 - +392 °F

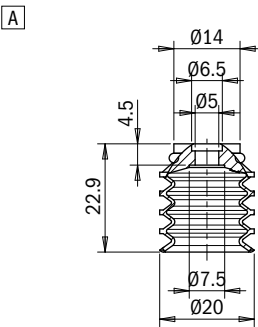
**Identification codes**

Drawing	Alphanumeric code	Suction cups with fitting	Order code
A	VG.FP20S.50.M5F	VG.FP20 suction cup, silicone, 50 Shore, M5 female	2322053
B	VG.FP20S.50.G18M	VG.FP20 suction cup, silicone, 50 Shore, G1/8" male	2322055
C	VG.FP20S.50.G18MF	VG.FP20 suction cup, silicone, 50 Shore, G1/8" male/M5 female	2322056
D	VG.FP20S.50.G18MFV	VG.FP20 suction cup, silicone, 50 Shore, G1/8" male/M5 female with valve	2322057



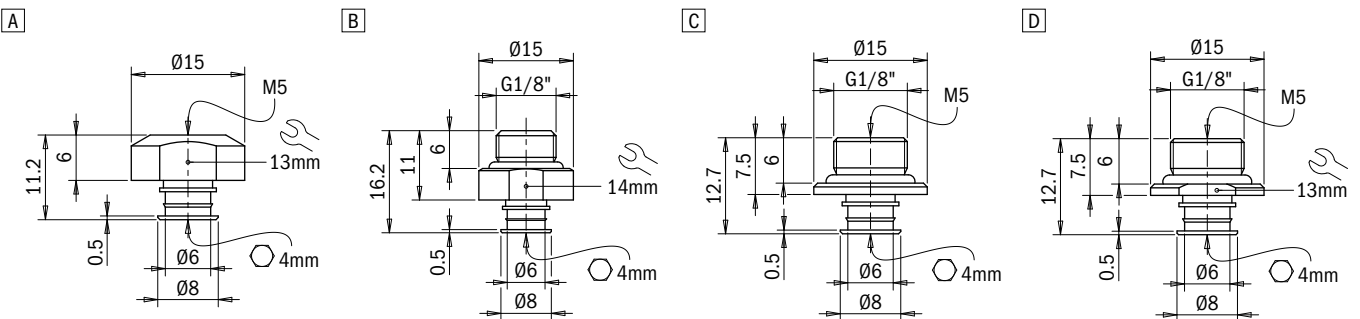
**Identification codes**

Drawing	Alphanumeric code	Suction cups	Order code
A	VG.FP20S.50	VG.FP20 suction cup, silicone, 50 Shore	2322054



**Identification codes**

Drawing	Alphanumeric code	Fittings	Order code
A	FT.M5F	Fitting, M5 female	1700006
B	FT.G18M.17	G1/8" male fitting	1700018
C	FT.G18M.M5F	Fitting, G1/8" male/ M5 female	1700016
D	FT.G18M.M5F.VF	G1/8" male / M5 female fitting, with valve	1700017



**Identification codes**

Alphanumeric code	Disc	Order code
AC.DF20	Perforated disc for thin films, diameter 20 mm	2321780