

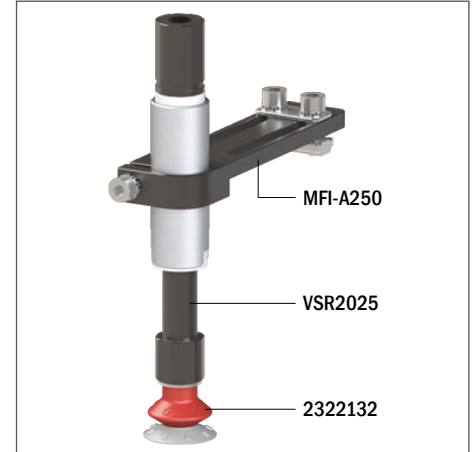
Suction cups / Polyurethane

VG.IS25P bellows suction cups in polyurethane

- Ideal to handle uneven and rough surfaces
- High flexibility: the wide yet thin lip allows for adaptation to uneven surfaces
- Polyurethane material with double hardness, 30/60 Shore
- Good resistance to wear



Application example



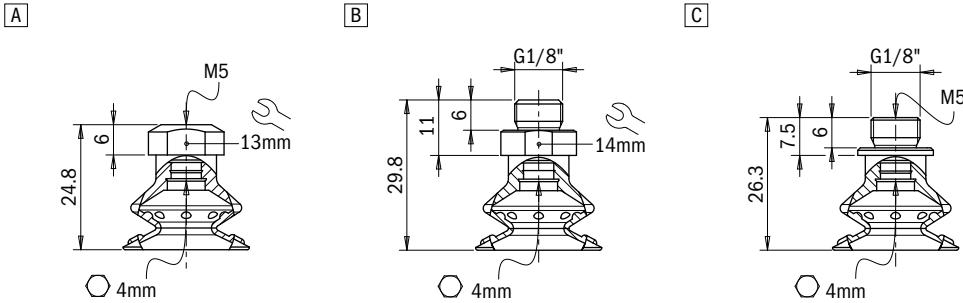
Technical data

Material	Lifting force [N] perpendicular to the surface, at various vacuum levels			Lifting force [N] parallel to the surface, at various vacuum levels			Volume [cm ³]	Min curve radius [mm]	Max vertical movement [mm]	Suction cup weight [g]
	-20 kPa	-60 kPa	-90 kPa	-20 kPa	-60 kPa	-90 kPa				
PU30/60	5.7	12.5	13.4	4.1	7.2	14.1	1.63	9	5.5	1.8

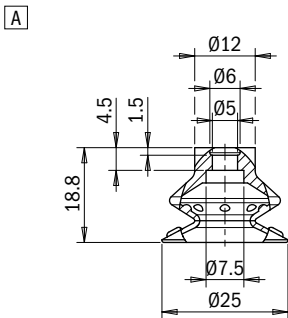
Technical features

Material	Color	Hardness	Temperature range
Polyurethane PU, 30/60 Shore	Grey / Red	30/60 Shore	+50 - +113 °F

Identification codes			
Drawing	Alphanumeric code	Suction cups with fitting	Order code
A	VG.IS25P.30/60.M5F	VG.IS25 suction cup, polyurethane, 30/60 Shore, M5 female	2322129
B	VG.IS25P.30/60.G18M	VG.IS25 suction cup, polyurethane, 30/60 Shore, G1/8" male	2322131
C	VG.IS25P.30/60.G18MF	VG.IS25 suction cup, polyurethane, 30/60 Shore, G1/8" male / M5 female	2322132



Identification codes			
Drawing	Alphanumeric code	Suction cups	Order code
A	VG.IS25P.30/60	VG.IS25 suction cup, polyurethane, 30/60 Shore	2322130



Identification codes			
Drawing	Alphanumeric code	Fittings	Order code
A	FT.M5F	Fitting, M5 female	1700006
B	FT.G18M.17	G1/8" male fitting	1700018
C	FT.G18M.M5F	Fitting, G1/8" male/ M5 female	1700016

