

Suction cups / Polyurethane

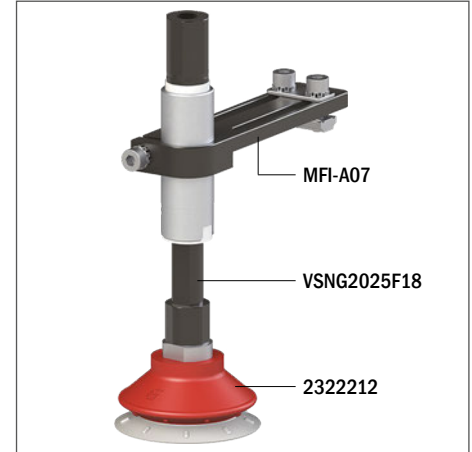
VG.IS55P bellows suction cups in polyurethane

- Ideal to handle uneven and rough surfaces
- High flexibility: the wide yet thin lip allows for adaptation to uneven surfaces
- Polyurethane material with double hardness, 30/60 Shore
- Good resistance to wear

NEW



Application example



Technical data

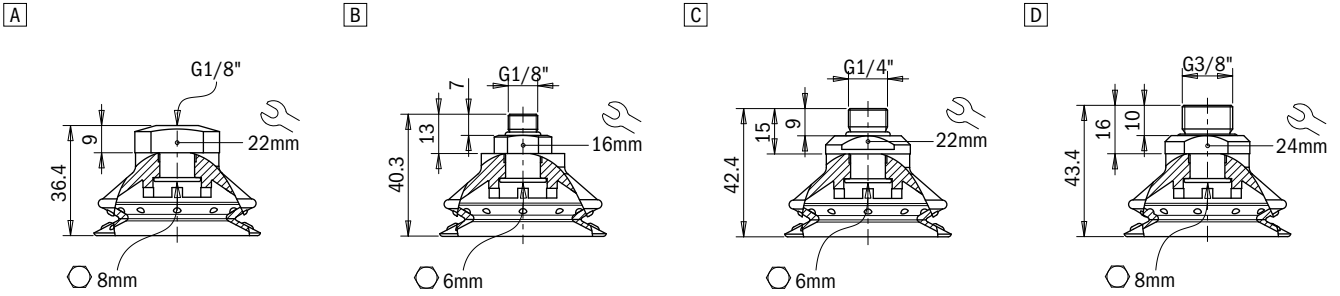
Material	Lifting force [N] perpendicular to the surface, at various vacuum levels			Lifting force [N] parallel to the surface, at various vacuum levels			Volume [cm ³]	Min curve radius [mm]	Max vertical movement [mm]	Suction cup weight [g]
	-20 kPa	-60 kPa	-90 kPa	-20 kPa	-60 kPa	-90 kPa				
PU30/60	33.8	78.4	99.7	28.3	70.2	78.7	13	24	11.3	16.2

Technical features

Material	Color	Hardness	Temperature range
Polyurethane PU, 30/60 Shore	Grey / Red	30/60 Shore	+50 - +113 °F

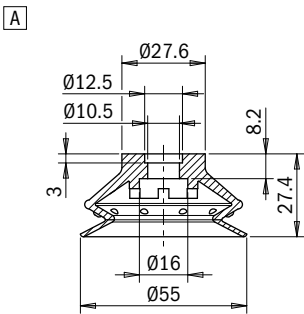
Identification codes

Drawing	Alphanumeric code	Suction cups with fitting	Order code
A	VG.IS55P.30/60.G18M	VG.IS55 suction cup, polyurethane, 30/60 Shore, G1/8" female	2322212
B	VG.IS55P.30/60.G18F	VG.IS55 suction cup, polyurethane, 30/60 Shore, G1/8" male	2322213
C	VG.IS55P.30/60.G14M	VG.IS55 suction cup, polyurethane, 30/60 Shore, G1/4" male	2322214
D	VG.IS55P.30/60.G38M	VG.IS55 suction cup, polyurethane, 30/60 Shore, G3/8" male	2322215



Identification codes

Drawing	Alphanumeric code	Suction cups	Order code
A	VG.IS55P.30/60	VG.IS55 suction cup, polyurethane, 30/60 Shore	2322211



Identification codes

Drawing	Alphanumeric code	Fittings	Order code
A	FT.G18F.19	G1/8" female fitting	1900019
B	FT.G18M.19	G1/8" male fitting	1900018
C	FT.G14M.19	G1/4" male fitting	1900014
D	FT.G38M.198	G3/8" male fitting	1900038

