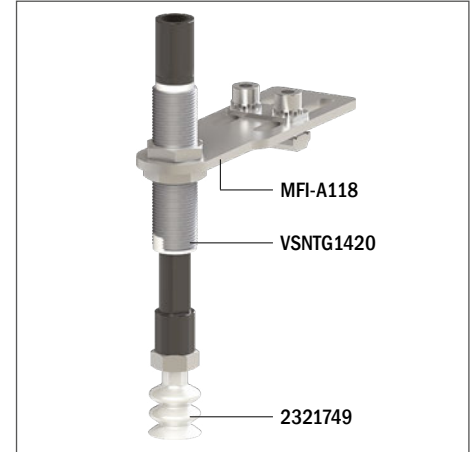


# Suction cups / FDA-compliant silicone

## VG.LB16F bellows suction cups in FDA-compliant silicone

- Food-grade silicone compound (FDA-approved)
- Suitable for high working temperatures
- Enables to compensate for height differences and work with uneven or porous surfaces
- Ideal for leafing through and picking up fine items

Application example



### Technical data

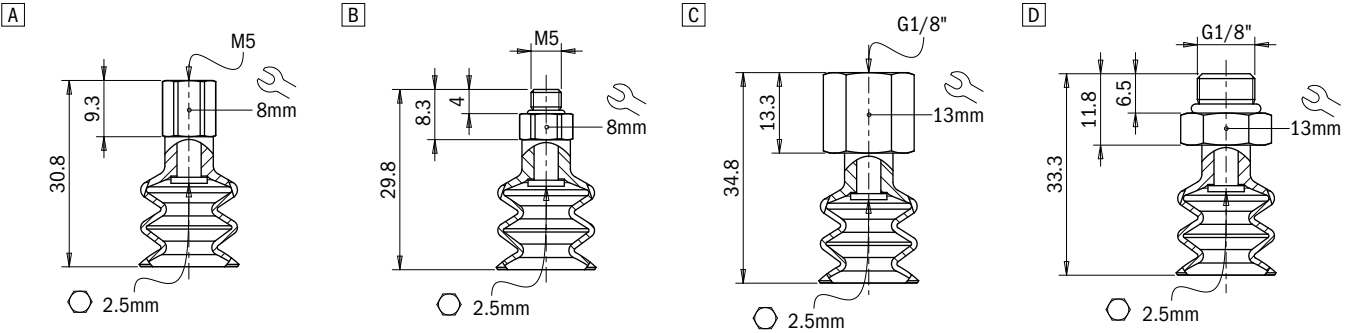
| Material   | Lifting force [N] perpendicular to the surface, at various vacuum levels |         |         | Lifting force [N] parallel to the surface, at various vacuum levels |         |         | Volume<br>[cm <sup>3</sup> ] | Min curve radius<br>[mm] | Max vert. movement<br>[mm] | Suction cup weight<br>[g] |
|------------|--|---------|---------|---|---------|---------|------------------------------|--------------------------|----------------------------|---------------------------|
|            | -20 kPa  | -60 kPa | -90 kPa | -20 kPa   | -60 kPa | -90 kPa |                              |                          |                            |                           |
| SIL 50 FDA | 3.6  | 9.4     | 13.2    | –   | –       | –       | 1.92                         | 18                       | 9                          | 1.1                       |

### Technical features

| Material          | Color       | Hardness | Temperature range |
|-------------------|-------------|----------|-------------------|
| Silicone, FDA SIL | Transparent | 50 Shore | -94 - +392 °F     |

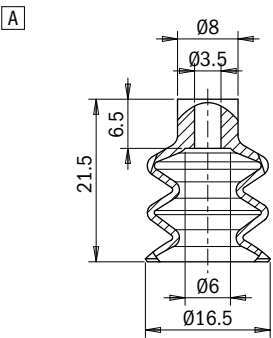
**Identification codes**

| Drawing | Alphanumeric code    | Suction cups with fitting  | Order code |
|---------|----------------------|--|------------|
| A       | VG.LB16F.50.M5F.E8   | VG.LB16 suction cup, FDA-compliant silicone, 50 Shore, M5 female, 8 mm hex     | 2321745    |
| B       | VG.LB16F.50.M5M.E8   | VG.LB16 suction cup, FDA-compliant silicone, 50 Shore, M5 male, 8 mm hex       | 2321747    |
| C       | VG.LB16F.50.G18F.E13 | VG.LB16 suction cup, FDA-compliant silicone, 50 Shore, G1/8" female, 13 mm hex | 2321748    |
| D       | VG.LB16F.50.G18M.E13 | VG.LB16 suction cup, FDA-compliant silicone, 50 Shore, G1/8" male, 13 mm hex   | 2321749    |



**Identification codes**

| Drawing | Alphanumeric code | Suction cups  | Order code |
|---------|-------------------|---|------------|
| A       | VG.LB16F.50       | VG.LB16 suction cup, FDA-compliant silicone, 50 Shore | 2321746    |



**Identification codes**

| Drawing | Alphanumeric code | Fittings                        | Order code |
|---------|-------------------|---------------------------------|------------|
| A       | FT.M5F.E8         | M5 female fitting, 8 mm hex     | 2321408    |
| B       | FT.M5M.E8         | M5 male fitting, 8 mm hex       | 2321410    |
| C       | FT.G18F.E13       | G1/8" female fitting, 13 mm hex | 2321412    |
| D       | FT.G18M.E13       | G1/8" male fitting, 13 mm hex   | 2321414    |

