

Suction cups / FDA-compliant silicone

VG.LB9F bellows suction cups in FDA-compliant silicone

- Food-grade silicone compound (FDA-approved)
- Suitable for high working temperatures
- Enables to compensate for height differences and work with uneven or porous surfaces
- Ideal for leafing through and picking up fine items



Application example



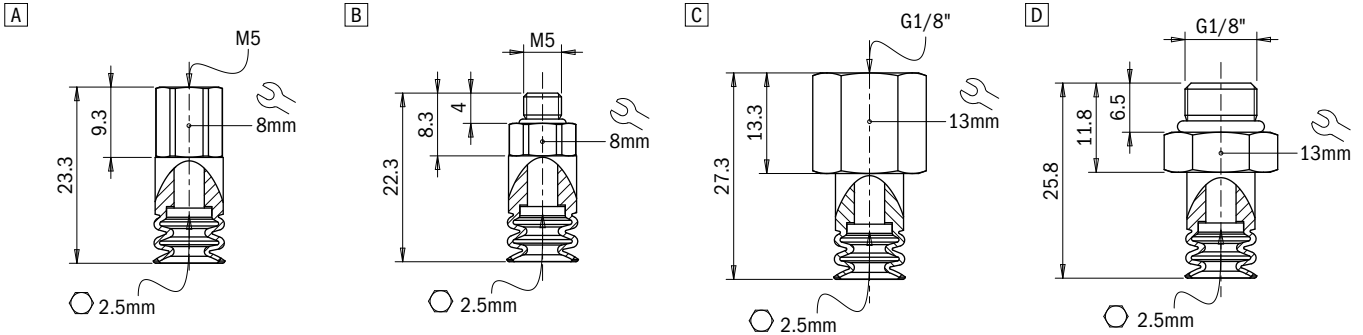
Technical data

Material	Lifting force [N] perpendicular to the surface, at various vacuum levels			Lifting force [N] parallel to the surface, at various vacuum levels			Volume [cm ³]	Min curve radius [mm]	Max vert. movement [mm]	Suction cup weight [g]
	-20 kPa	-60 kPa	-90 kPa	-20 kPa	-60 kPa	-90 kPa				
SIL 50 FDA	1.1	3	4.2	–	–	–	0.15	10	4	0.6

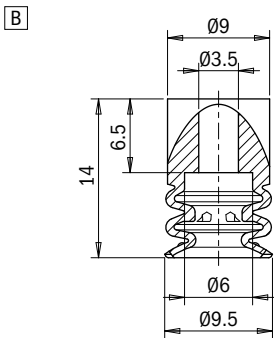
Technical features

Material	Color	Hardness	Temperature range
Silicone, FDA SIL	Transparent	50 Shore	-94 - +392 °F

Identification codes			
Drawing	Alphanumeric code	Suction cups with fitting	Order code
A	VG.LB9F.50.M5F.E8	VG.LB9 suction cup, FDA-compliant silicone, 50 Shore, M5 female, 8 mm hex	2321735
B	VG.LB9F.50.M5M.E8	VG.LB9 suction cup, FDA-compliant silicone, 50 Shore, M5 male, 8 mm hex	2321737
C	VG.LB9F.50.G18F.E13	VG.LB9 suction cup, FDA-compliant silicone, 50 Shore, G1/8" female, 13 mm hex	2321738
D	VG.LB9F.50.G18M.E13	VG.LB9 suction cup, FDA-compliant silicone, 50 Shore, G1/8" male, 13 mm hex	2321739



Identification codes			
Drawing	Alphanumeric code	Suction cups	Order code
A	VG.LB9F.50	VG.LB9 suction cup, FDA-compliant silicone, 50 Shore	2321736



Identification codes			
Drawing	Alphanumeric code	Fittings	Order code
A	FT.M5F.E8	M5 female fitting, 8 mm hex	2321408
B	FT.M5M.E8	M5 male fitting, 8 mm hex	2321410
C	FT.G18F.E13	G1/8" female fitting, 13 mm hex	2321412
D	FT.G18M.E13	G1/8" male fitting, 13 mm hex	2321414

