

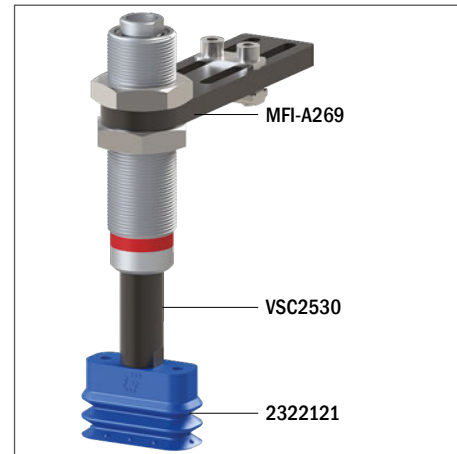
# Suction cups / Polyurethane

## VG.LBR20X45 rectangular bellows suction cups in polyurethane

- Suitable for handling snack foods and food bars in flow packs
- Version with 2.5 bellows
- Ideal for picking up an object and placing it on its side
- Thin lip capable of adapting perfectly to the plastic film
- Suitable for major level compensations, snack foods with uneven surface



Application example



### Technical data

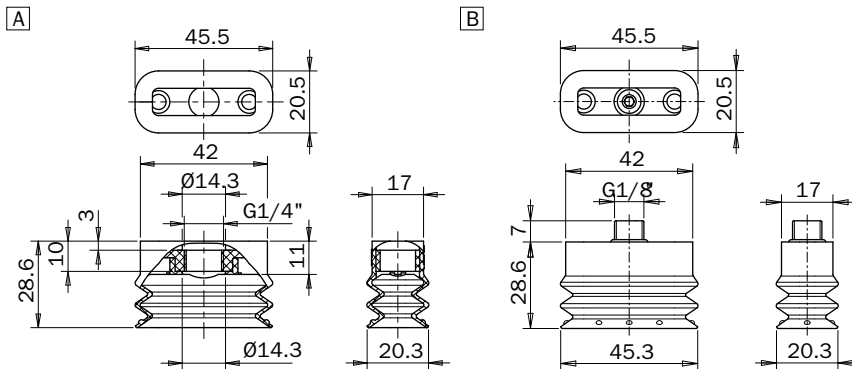
Material	Lifting force [N] perpendicular to the surface, at various vacuum levels			Lifting force [N] parallel to the surface, at various vacuum levels			Volume [cm <sup>3</sup> ]	Min curve radius [mm]	Max vertical movement [mm]	Suction cup weight [g]
	-20 kPa	-60 kPa	-90 kPa	-20 kPa	-60 kPa	-90 kPa				
PU50	14.8	27.5	37.4	21.2	33.4	57.6	8.9	15	12	9.3

### Technical features

Material	Color	Hardness	Temperature range
Polyurethane PU50 Shore	Blue	50 Shore	+50 - +113 °F

### Identification codes

Drawing	Alphanumeric code	Suction cups with fitting	Order code
A	VG.LBR20X45P.50.G14F	VG.LBR20X45 suction cup, polyurethane, 50 Shore, G1/4" female	2322121
B	VG.LBR20X45P.50.G18M	VG.LBR20X45 suction cup, polyurethane, 50 Shore, G1/8" male	2322123



### Identification codes

Alphanumeric code	Insert	Order code
AC.IR20X45	Perforated reinforcement insert, 20x45 mm	2322122