

Suction cups / Polyurethane

VG.LBR30X55 rectangular bellows suction cups in polyurethane

- Suitable for handling snack foods and food bars in flow packs
- Version with 2.5 bellows
- Capable of handling objects with small level differences
- Suitable for applications where grips are parallel or perpendicular to the surface
- Lip capable of adapting perfectly to the plastic film
- Ideal for picking up an object and placing it on its side
- Suitable for major level compensations, snack foods with uneven surface
- The embossed tread pattern prevents damage to the handled product and implosion of the lip



Application example



Technical data

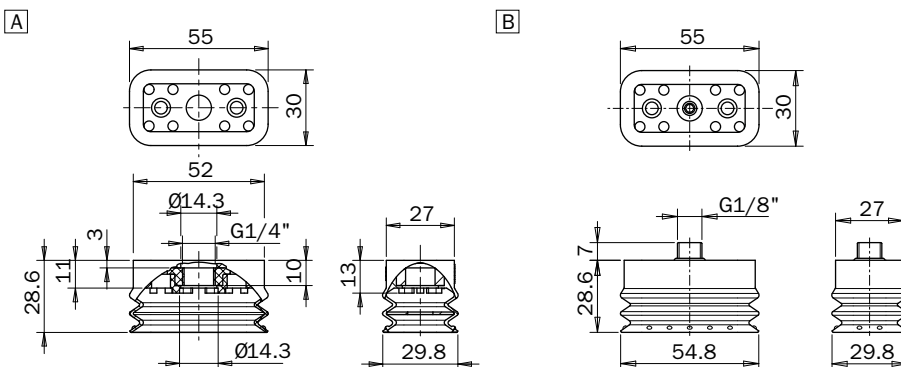
Material	Lifting force [N] perpendicular to the surface, at various vacuum levels			Lifting force [N] parallel to the surface, at various vacuum levels			Volume [cm ³]	Min curve radius [mm]	Max vertical movement [mm]	Suction cup weight [g]
	-20 kPa	-60 kPa	-90 kPa	-20 kPa	-60 kPa	-90 kPa				
PU50	24.1	72.7	95.3	20.2	49.5	60.2	18.1	28	14	18.9

Technical features

Material	Color	Hardness	Temperature range
Polyurethane PU50 Shore	Blue	50 Shore	+50 - +113 °F

Identification codes

Drawing	Alphanumeric code	Suction cups with fitting	Order code
A	VG.LBR30X55P.50.G14F	VG.LBR30X55 suction cup, polyurethane, 50 Shore, G1/4" female	2322123
B	VG.LBR30X55P.50.G18M	VG.LBR30X55 suction cup, polyurethane, 50 Shore, G1/8" male	2321123



Click for Pricing & Add to Cart

Identification codes

Alphanumeric code	Insert	Order code
AC.IR30X55	Perforated reinforcement insert, 30x55 mm	2322124