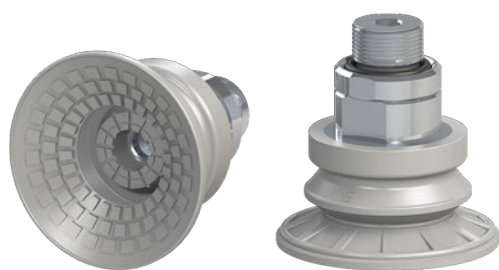
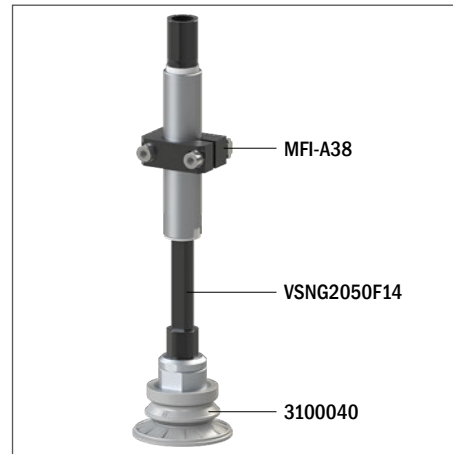


Suction cups / NBR

VG.MB52 bellows suction cup with non-slip cleats in NBR

- Ideal for handling oiled sheet metal in stamping processes
- Handling of flat glass and shaped glass
- Special cleats that increase friction on lubricated surfaces
- Ideal for applications where contamination of the material must be avoided (PWIS)
- Bellows suction cups in NBR, 60 Shore, with vulcanised fitting
- Internal supports help to prevent deformation of thin sheet metal
- Suitable for handling flat and slightly curved surfaces thanks to the wide lip

Application example



Technical data

Material	Lifting force [N] perpendicular to the surface, at various vacuum levels			Lifting force [N] parallel to the surface, at various vacuum levels			Volume [cm ³]	Min curve radius [mm]	Max vert. movement [mm]	Suction cup weight [g]
	-20 kPa	-60 kPa	-90 kPa	-20 kPa	-60 kPa	-90 kPa				
NBR 60	39.1	103.5	139.5	27.3	89.5	120.5	18	29.5	11	28

Technical features

Material	Color	Hardness	Temperature range
NBR 60	Grey	60 Shore	-22 - +212 °F

Identification codes

Drawing	Alphanumeric code	Suction cups with fitting	Ordering code
A	VG.MB52.60.G14M	VG.MB52 suction cup, NBR, 60 Shore, G1/4" male	3100040
B	VG.MB52.60.G14F	VG.MB52 suction cup, NBR, 60 Shore, G1/4" female	3100041
C	VG.MB52.60.G38M	VG.MB52 suction cup, NBR, 60 Shore, G3/8" male	3100042
D	VG.MB52.60.G38F	VG.MB52 suction cup, NBR, 60 Shore, G3/8" female	3100043

