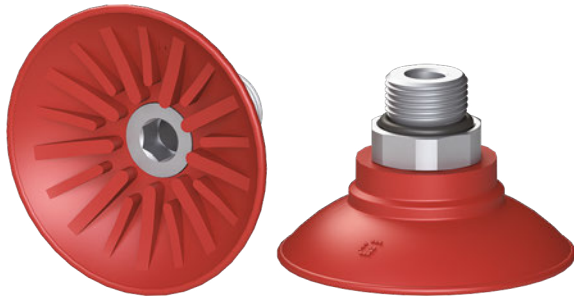


Suction cups / Polyurethane

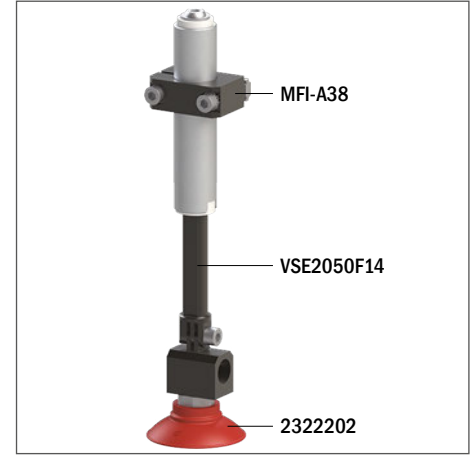
VG.MF45P flat suction cup with non-slip tread pattern in polyurethane

- Ideal for handling oiled sheet metal in stamping processes
- Special tread pattern that increases friction on lubricated surfaces
- Excellent stability

NEW



Application example



Technical data

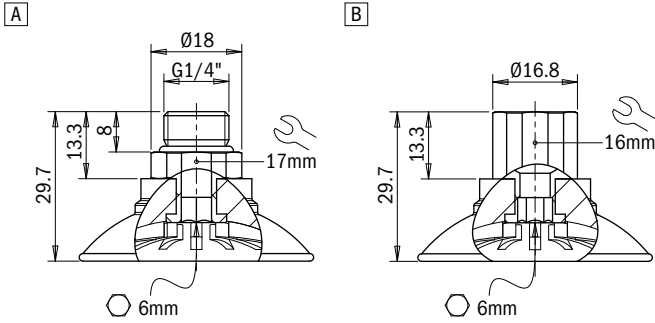
Material	Lifting force [N] perpendicular to the surface, at various vacuum levels			Lifting force [N] parallel to the surface, at various vacuum levels			Volume [cm ³]	Min curve radius [mm]	Max vertical movement [mm]	Suction cup weight [g]
	-20 kPa	-60 kPa	-90 kPa	-20 kPa	-60 kPa	-90 kPa				
PU40	24.2	70.5	92.6	40.2	80.3	93	9.8	50	5.3	25

Technical features

Material	Color	Hardness	Temperature range
Polyurethane PU40 Shore	Red	40 Shore	+50 - +113 °F

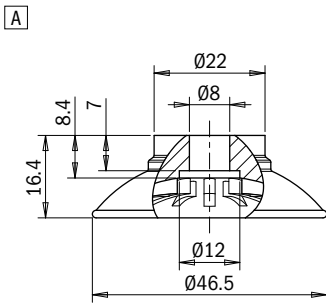
Identification codes

Drawing	Alphanumeric code	Suction cups with fitting	Order code
A	VG.MF45P.40.G14M	VG.MF45 suction cup, polyurethane, 40 Shore, G1/4" male	2322202
B	VG.MF45P.40.G14F	VG.MF45 suction cup, polyurethane, 40 Shore, G1/4" female	2322203



Identification codes

Drawing	Alphanumeric code	Suction cups	Order code
A	VG.MF45P.40	VG.MF45 suction cup, polyurethane, 40 Shore	2322201



Identification codes

Drawing	Alphanumeric code	Fittings	Order code
A	FT.G14M.20	G1/4" male fitting	2321432
B	FT.G14F.20	G1/4" female fitting	2321430

