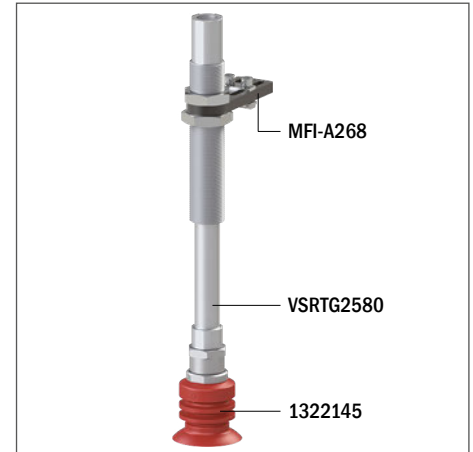


Suction cups / Silicone

VG.SBC50S multibellows suction cups in silicone

- Ideal for handling bags containing fragile products and bags with liquids and frozen foods
- Strong bellows, soft and flexible lip and special high flow rate fittings
- Version with 2.5 bellows
- High stability in very fast packaging processes (case packer and Pick & Place applications)

Application example



Technical data

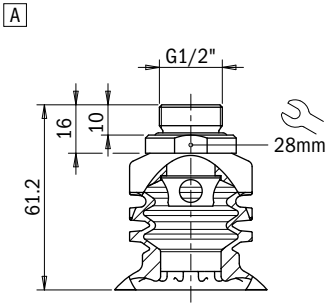
| Material | Lifting force [N] perpendicular to the surface, at various vacuum levels | | Volume [cm ³] | Min curve radius [mm] | Max vert. movement [mm] | Suction cup weight [g] |
|----------|--|---------|------------------------------|--------------------------|----------------------------|---------------------------|
| | -20 kPa | -60 kPa | | | | |
| SIL 40 | 24.7 | 30.5 | 24 | 30 | 14 | 25 |

Technical features

| Material | Color | Hardness | Temperature range |
|-------------|-------|----------|-------------------|
| Silicone 40 | Red | 40 Shore | -94 - +392 °F |

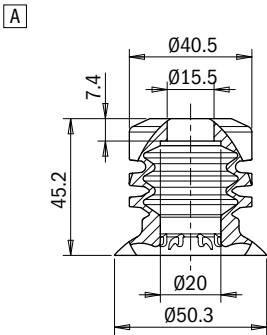
Identification codes

| Drawing | Alphanumeric code | Suction cups with fitting | Order code |
|---------|-------------------|--|------------|
| A | VG.SBC50S.40.G12M | VG.SBC50 suction cup, silicone, 40 Shore, G1/2" male | 1322145 |



Identification codes

| Drawing | Alphanumeric code | Suction cups | Order code |
|---------|-------------------|--|------------|
| A | VG.SBC50S.40 | VG.SBC50 suction cup, silicone, 40 Shore | 1322146 |



Identification codes

| Drawing | Alphanumeric code | Fittings | Order code |
|---------|-------------------|--------------------|------------|
| A | FT.G12M | G1/2" male fitting | 2000012 |

