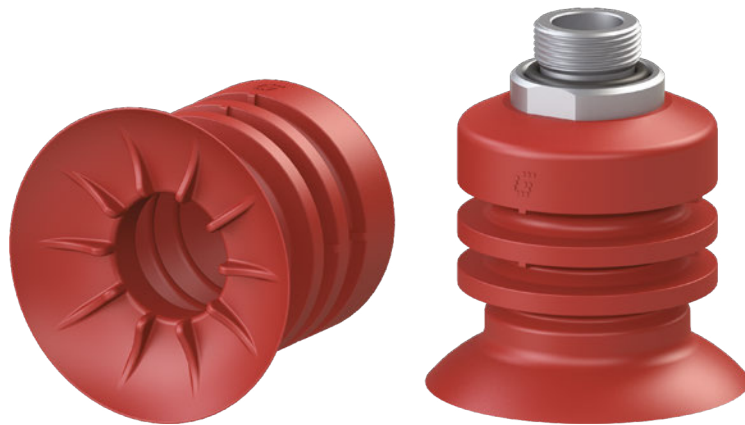


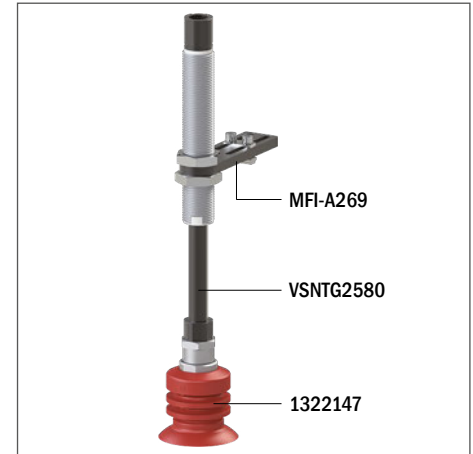
Suction cups / Silicone

VG.SBC63S multibellows suction cups in silicone

- Ideal for handling bags containing fragile products and bags with liquids and frozen foods
- Strong bellows, soft and flexible lip and special high flow rate fittings
- Version with 2.5 bellows
- High stability in very fast packaging processes (case packer and Pick & Place applications)



Application example



Technical data

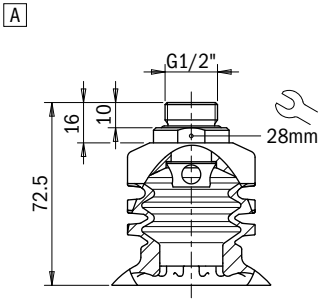
Material	Lifting force [N] perpendicular to the surface, at various vacuum levels		Volume [cm ³]	Min curve radius [mm]	Max vert. movement [mm]	Suction cup weight [g]
	-20 kPa	-60 kPa				
SIL 40	42.6	53.2	46.5	40	19	50

Technical features

Material	Color	Hardness	Temperature range
Silicone 40	Red	40 Shore	-94 - +392 °F

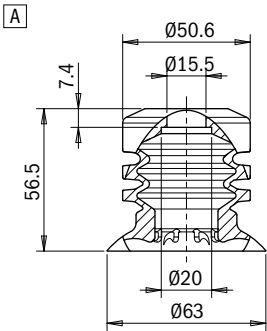
Identification codes

Drawing	Alphanumeric code	Suction cups with fitting	Order code
A	VG.SBC63S.40.G12M	VG.SBC63 suction cup, silicone, 40 Shore, G1/2" male	1322147



Identification codes

Drawing	Alphanumeric code	Suction cups	Order code
A	VG.SBC63S.40	VG.SBC63 suction cup, silicone, 40 Shore	1322148



Identification codes

Drawing	Alphanumeric code	Fittings	Order code
A	FT.G12M	G1/2" male fitting	2000012

