

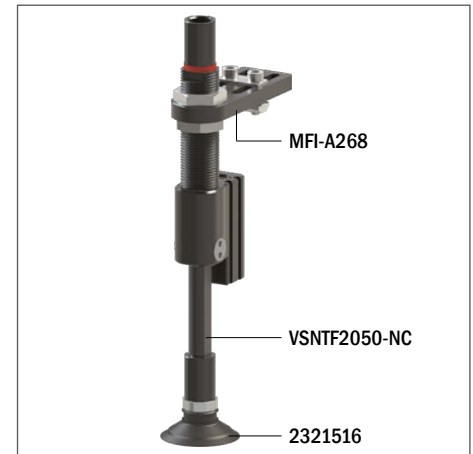
# Suction cups / EPDM-HNBR

## VG.U42 flat EPDM-HNBR suction cups

- Suitable for handling plastic parts
- Suitable for objects with flat or slightly curved surfaces
- The HNBR version enables to work at high temperatures, whereas silicone or other mixtures may release traces of material. Ideal for applications where contamination of the material must be avoided (PWIS)
- The HNBR compound is robust and wear resistant, suitable for the removal of hot plastic parts from the relevant moulds



Application example



### Technical data

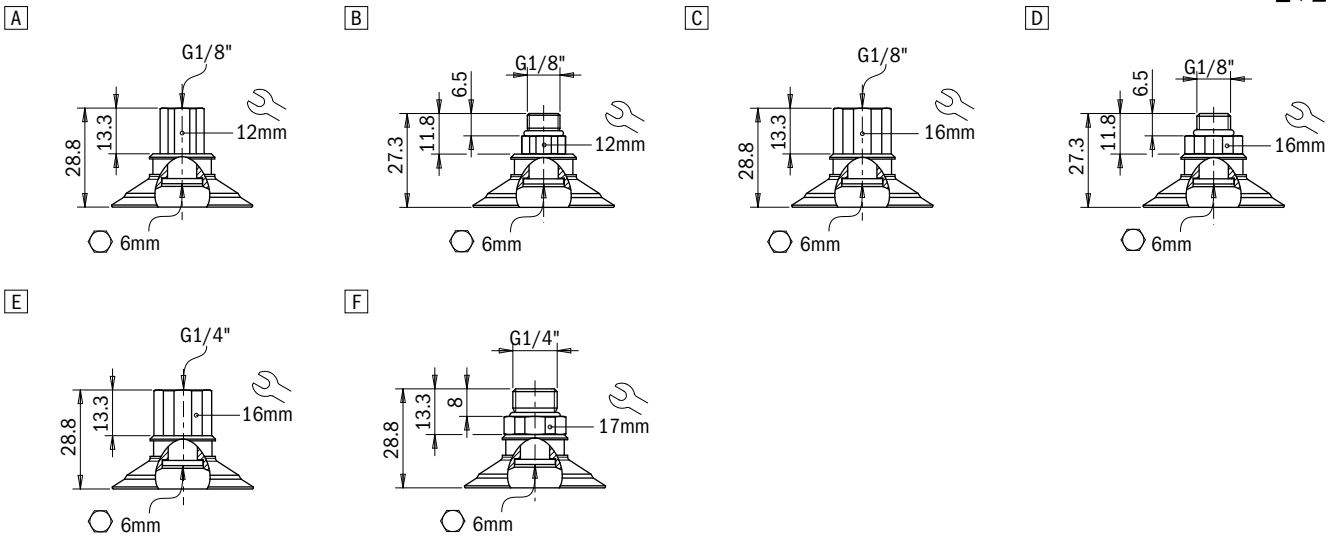
Material	Lifting force [N] perpendicular to the surface, at various vacuum levels			Lifting force [N] parallel to the surface, at various vacuum levels			Volume [cm <sup>3</sup> ]	Min curve radius [mm]	Max vert. movement [mm]	Suction cup weight [g]
	-20 kPa	-60 kPa	-90 kPa	-20 kPa	-60 kPa	-90 kPa				
EPDM 50	21	48.5	58	14	28	36	5.5	30	4.5	4.4
HNBR 60	21	48.5	58	14	28	36	5.5	30	4.5	4.4

### Technical features

Material	Color	Hardness	Temperature range
EPDM	Black	50 Shore	-40 - +212 °F
HNBR	Blue	60 Shore	-13 - +302 °F

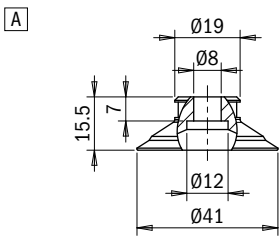
### Ordering information

Drawing	Alphanumeric code	Suction cups with fitting	Order code
A	VG.U42E.50.G18F.E12	VG.U42 suction cup, EPDM, 50 Shore, G1/8" female, 12 mm hex	2321510
B	VG.U42E.50.G18M.E12	VG.U42 suction cup, EPDM, 50 Shore, G1/8" male, 12 mm hex	2321512
C	VG.U42E.50.G18F.E16	VG.U42 suction cup, EPDM, 50 Shore, G1/8" female, 16 mm hex	2321513
D	VG.U42E.50.G18M.E16	VG.U42 suction cup, EPDM, 50 Shore, G1/8" male, 16 mm hex	2321514
E	VG.U42E.50.G14F.E16	VG.U42 suction cup, EPDM, 50 Shore, G1/4" female, 16 mm hex	2321515
F	VG.U42E.50.G14M.E17	VG.U42 suction cup, EPDM, 50 Shore, G1/4" male, 17 mm hex	2321516
A	VG.U42H.60.G18F.E12	VG.U42 suction cup, HNBR, 60 Shore, G1/8" female, 12 mm hex	2321517
B	VG.U42H.60.G18M.E12	VG.U42 suction cup, HNBR, 60 Shore, G1/8" male, 12 mm hex	2321519
C	VG.U42H.60.G18F.E16	VG.U42 suction cup, HNBR, 60 Shore, G1/8" female, 16 mm hex	2321520
D	VG.U42H.60.G18M.E16	VG.U42 suction cup, HNBR, 60 Shore, G1/8" male, 16 mm hex	2321521
E	VG.U42H.60.G14F.E16	VG.U42 suction cup, HNBR, 60 Shore, G1/4" female, 16 mm hex	2321522
F	VG.U42H.60.G14M.E17	VG.U42 suction cup, HNBR, 60 Shore, G1/4" male, 17 mm hex	2321523



**Ordering information**

Drawing	Alphanumeric code	Suction cups	Order code
A	VG.U42E.50	VG.U42 suction cup, EPDM, 50 Shore	2321511
A	VG.U42H.60	VG.U42 suction cup, HNBR, 60 Shore	2321518



**Ordering information**

Drawing	Alphanumeric code	Fittings	Order code
A	FT.G18F.E12	G1/8" female fitting, 12 mm hex	2321422
B	FT.G18M.E12	G1/8" male fitting, 12 mm hex	2321424
C	FT.G18F.E16	G1/8" female fitting, 16 mm hex	2321426
D	FT.G18M.E16	G1/8" male fitting, 16 mm hex	2321428
E	FT.G14F.E16	G1/4" female fitting, 16 mm hex	2321430
F	FT.G14M.E17	G1/4" male fitting, 17 mm hex	2321432

