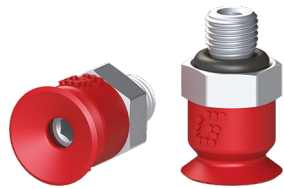


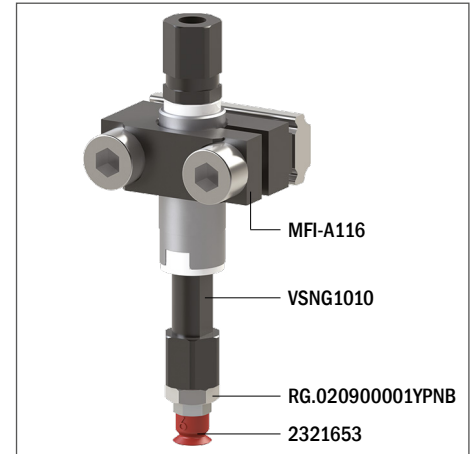
Suction cups / Silicone

VG.U6S flat silicone suction cups

- Silicone compound
- Suitable for high working temperatures
- Suitable for objects with flat or slightly curved surfaces



Application example



Technical data

Material	Lifting force [N] perpendicular to the surface, at various vacuum levels			Lifting force [N] parallel to the surface, at various vacuum levels			Volume [cm ³]	Min curve radius [mm]	Max vert. movement [mm]	Suction cup weight [g]
	-20 kPa	-60 kPa	-90 kPa	-20 kPa	-60 kPa	-90 kPa				
SIL 50	0.5	1.5	2.5	0.5	1.3	2.2	0.05	5	0.3	0.1

Technical features

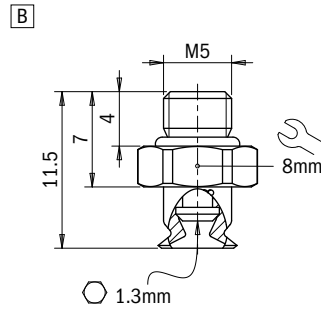
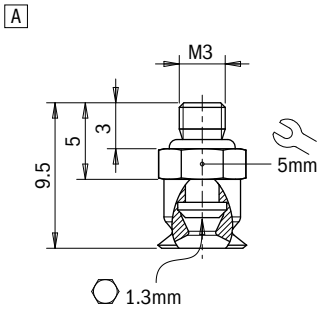
Material	Color	Hardness	Temperature range
Silicone, SIL	Red	50 Shore	-94 - +392 °F

Ordering information

Drawing	Alphanumeric code	Suction cups with fitting	Order code
A	VG.U6S.50.M3M.E5	VG.U6 suction cup, silicone, 50 Shore, M3 male, 5 mm hex	2321653
B	VG.U6S.50.M5M.E8	VG.U6 suction cup, silicone, 50 Shore, M5 male, 8 mm hex	2321053

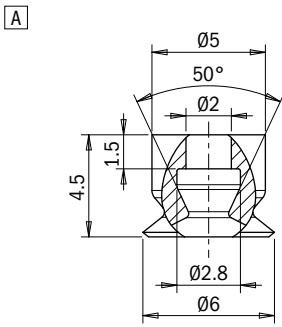


Click for Pricing & Add to Cart



Ordering information

Drawing	Alphanumeric code	Suction cups	Order code
A	VG.U6S.50	VG.U6 suction cup, silicone, 50 Shore	2321654



Ordering information

Drawing	Alphanumeric code	Fittings	Order code
A	FT.M3M.E5	M3 male fitting, 5 mm hex	2321402
B	FT.M5M.E8.06	M5 male fitting, 8 mm hex	2321005

