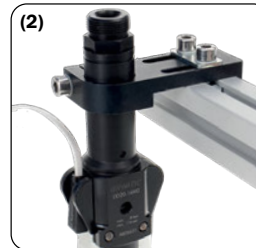


2-jaw self-centering angular pneumatic gripper, series DD

- New concept with retracted sensor and smaller dimensions in the grip area.
- Optional magnetic sensors (1).
- The sensor is ON only when something is gripped.
- Single acting with spring opening.
- Very high closing force.
- Several mounting accessories (2).
- Steel jaws.
- FDA-H1 food-grade grease.
- Protection against the entry of small foreign bodies (3).
- Heavy-duty end-strokes.

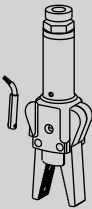


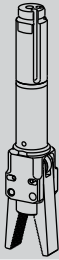
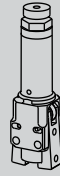
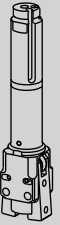
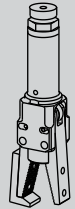
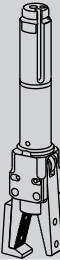
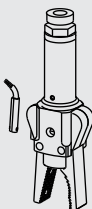
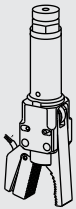
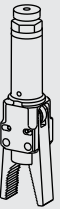
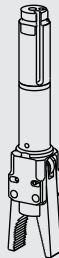

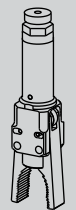
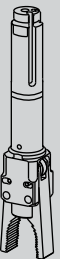
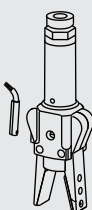
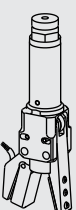
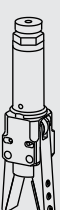
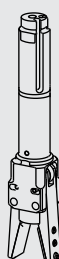
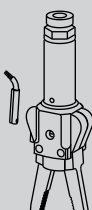
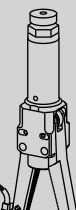
SS4N225-G	PNP	2.5m cable
SS4M225-G	NPN	
SS3N203-G	PNP	M8 snap plug connector
SS3M203-G	NPN	



	NEW	NEW	NEW	NEW	NEW	NEW	NEW
	DD20-16MV	DD20-16LV	DD20-16M2	DD20-16L2	DD20-16E2	DD20-16W2	DD20-16B2
Medium	Compressed air in compliance with ISO 8573-1:2010 [7:4:4]						
Pressure range	3.5 ÷ 8 bar						
Temperature range	5 ÷ 60 °C.						
Stroke	2 x 15°						
Closing torque at 6 bar each jaw	300 Ncm						
Total closing torque at 6 bar	600 Ncm						
Opening torque at 0 bar each jaw	20 Ncm						
Total opening torque at 0 bar	40 Ncm						
Maximum working frequency	2 Hz						
Cycle air consumption	3.6 cm ³						
Closing time without load	0.03 s						
Weight	119 g	116 g	114 g	110 g	123 g	118 g	140 g

Change to the new version

The old DD grippers will be discontinued, however the new ones are compatible. Outer dimensions are the same and all the finger options are still available. The old scheme had versions with sensor (either on the finger tip or on the body tail) and versions without sensor. The new scheme enables to use the same gripper with or without sensor. Moreover, the sensor can be chosen amongst the PNP/NPN and cable/connector versions.

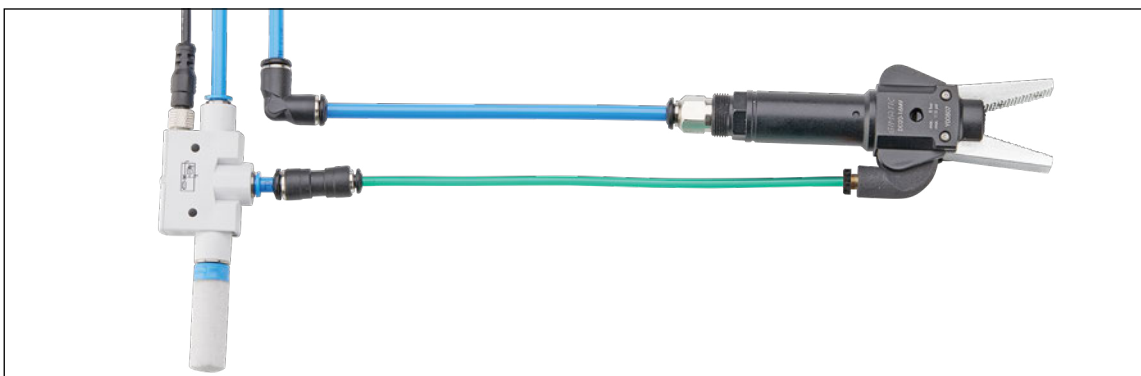
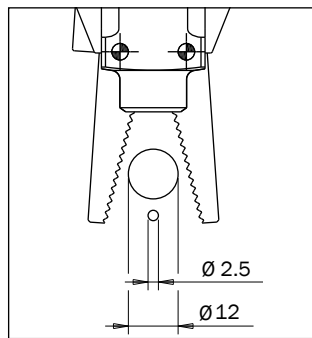
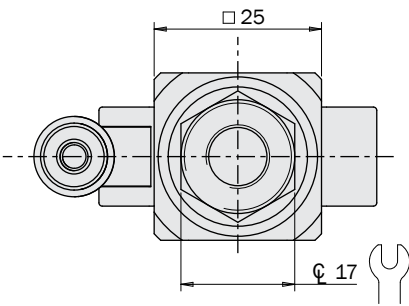
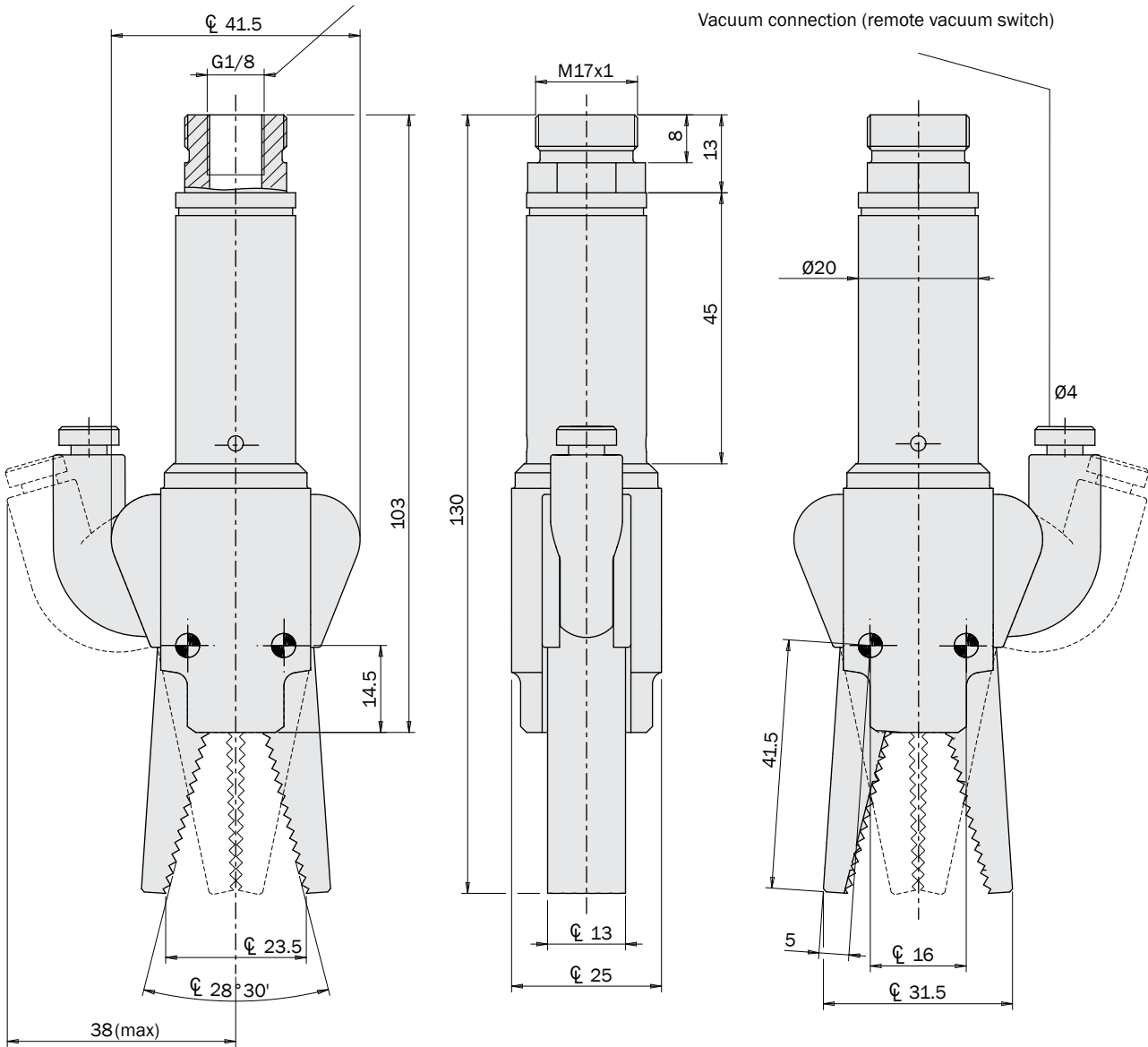
New version	Old version						
<p>DD20-16M2</p> 	<p>DD20-16M</p> 	<p>DD20-16R</p> 	<p>DD20-16RS</p> 	<p>DD20-16A</p> 	<p>DD20-16AS</p> 	<p>DD20-16T</p> 	<p>DD20-16TS</p> 
<p>DD20-16W2</p> 	<p>DD20-16W</p> 	<p>DD20-16K</p> 	<p>DD20-16KS</p> 				
<p>DD20-16E2</p> 	<p>DD20-16E</p> 	<p>DD20-16ES</p> 					
<p>DD20-16L2</p> 	<p>DD20-16L</p> 	<p>DD20-16P</p> 	<p>DD20-16PS</p> 				
<p>DD20-16B2</p> 	<p>DD20-16B</p> 						

Dimensions (mm)

DD20-16MV

Compressed air connection (gripper closing)

Vacuum connection (remote vacuum switch)

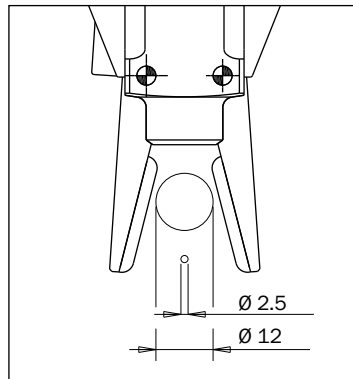
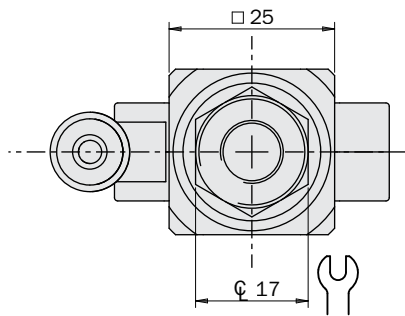
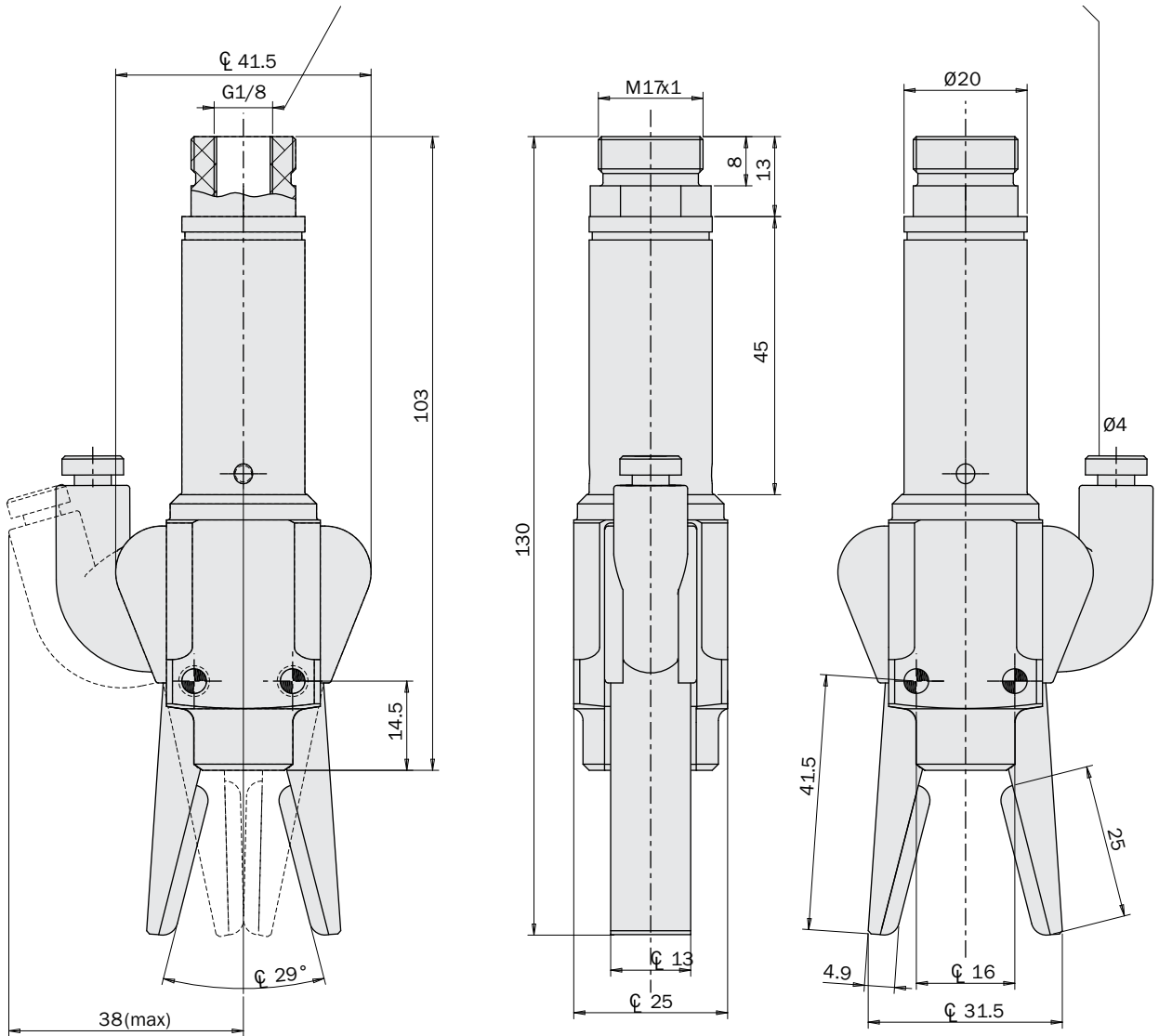


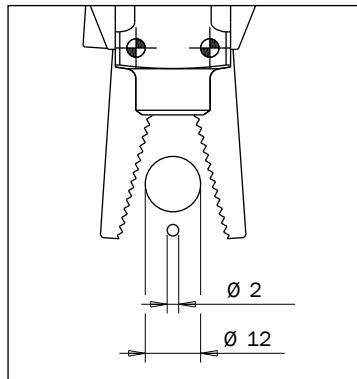
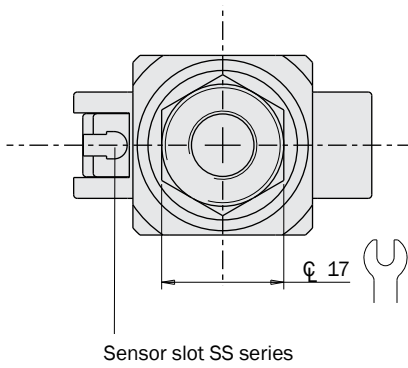
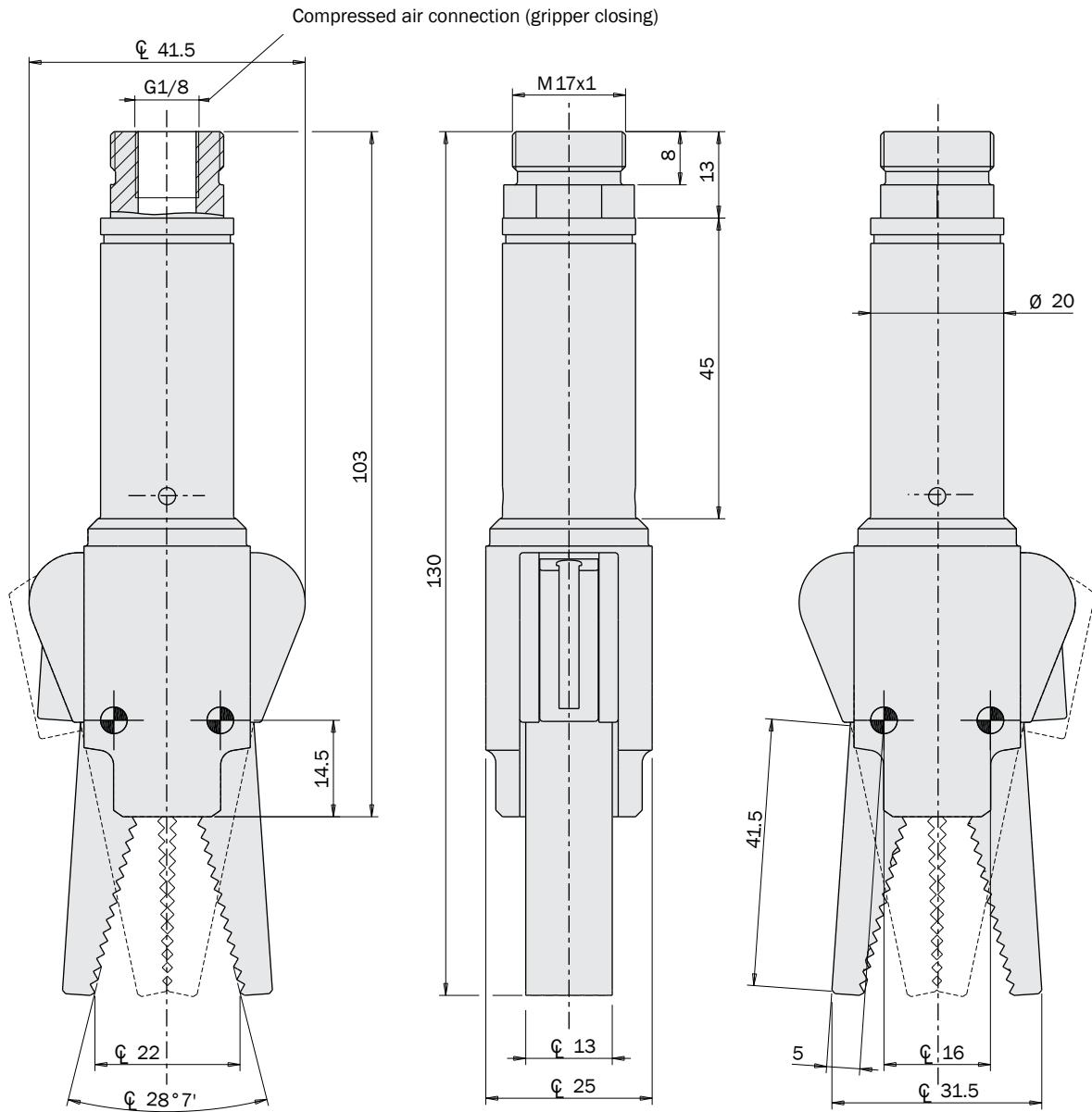
Dimensions (mm)

DD20-16LV

Compressed air connection (gripper closing)

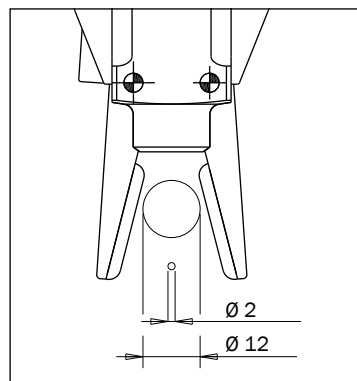
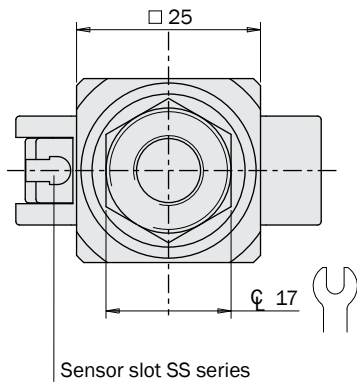
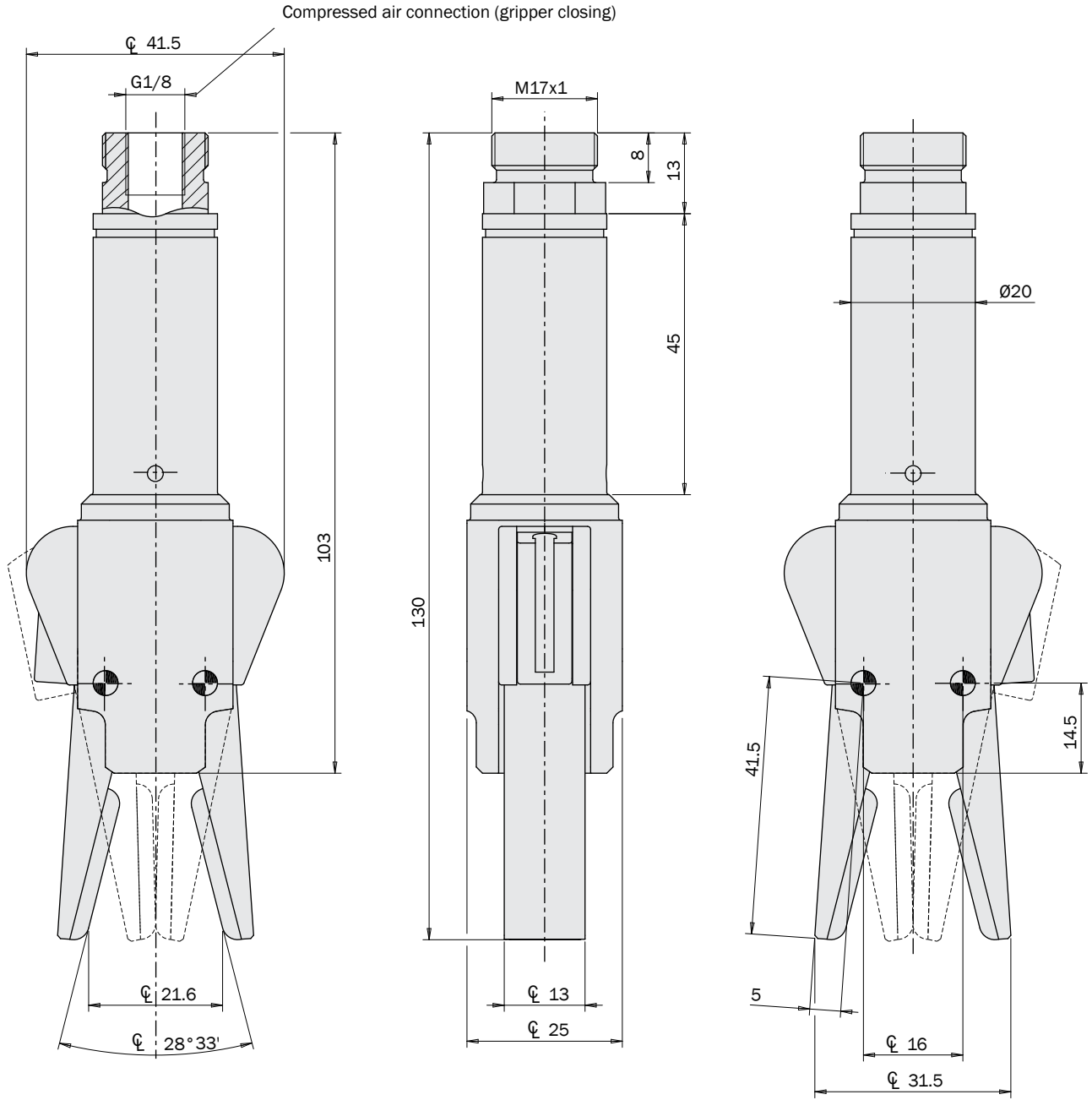
Vacuum connection (remote vacuum switch)

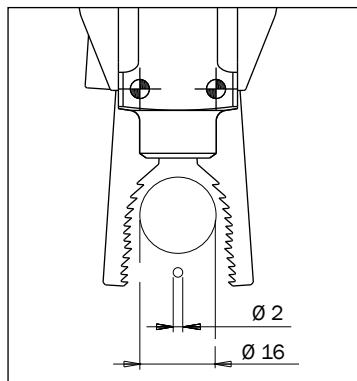
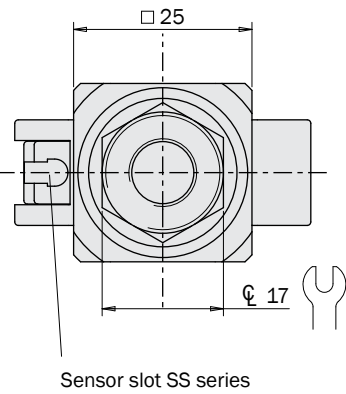
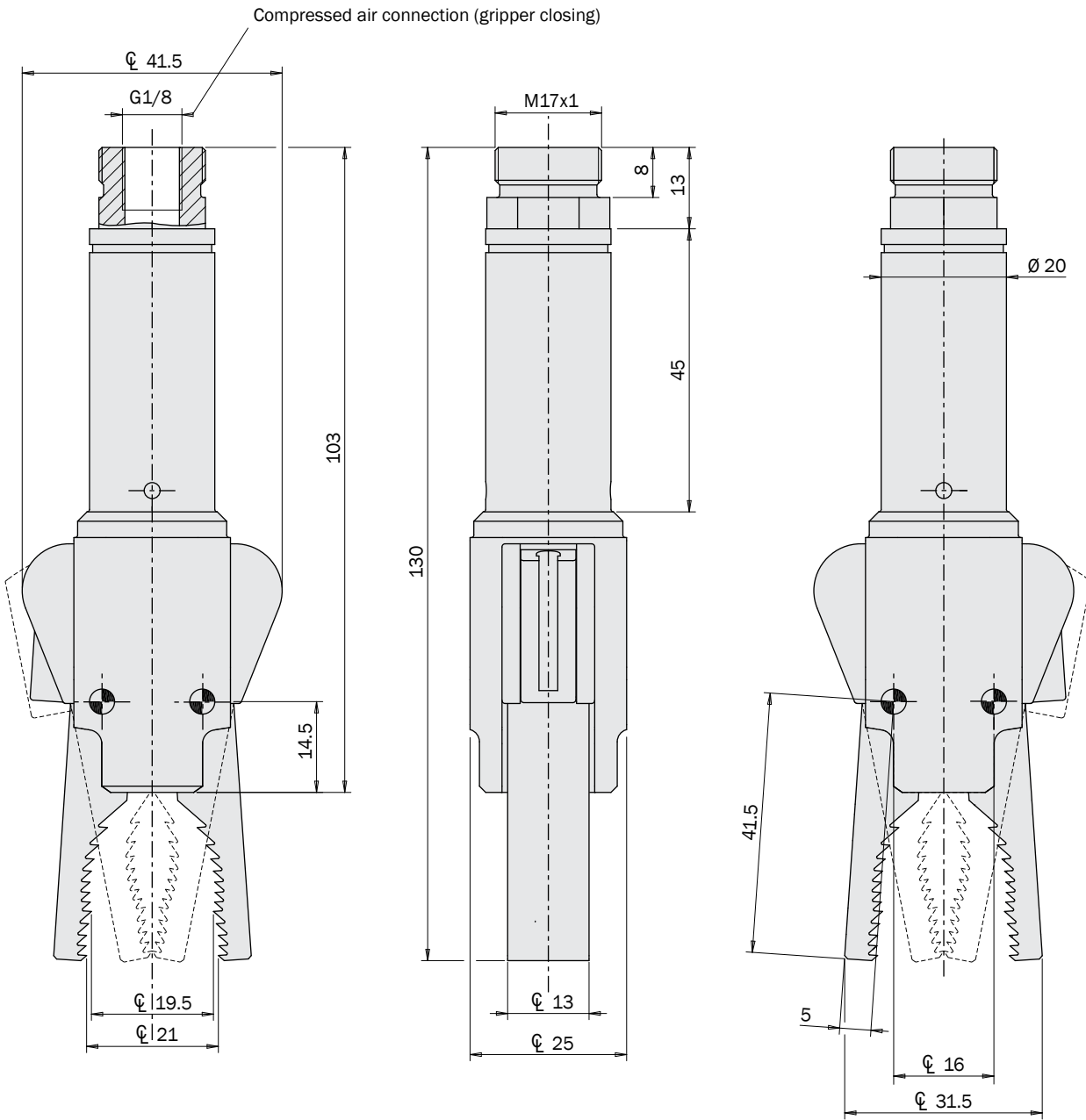




Dimensions (mm)

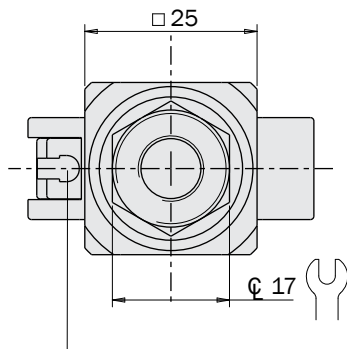
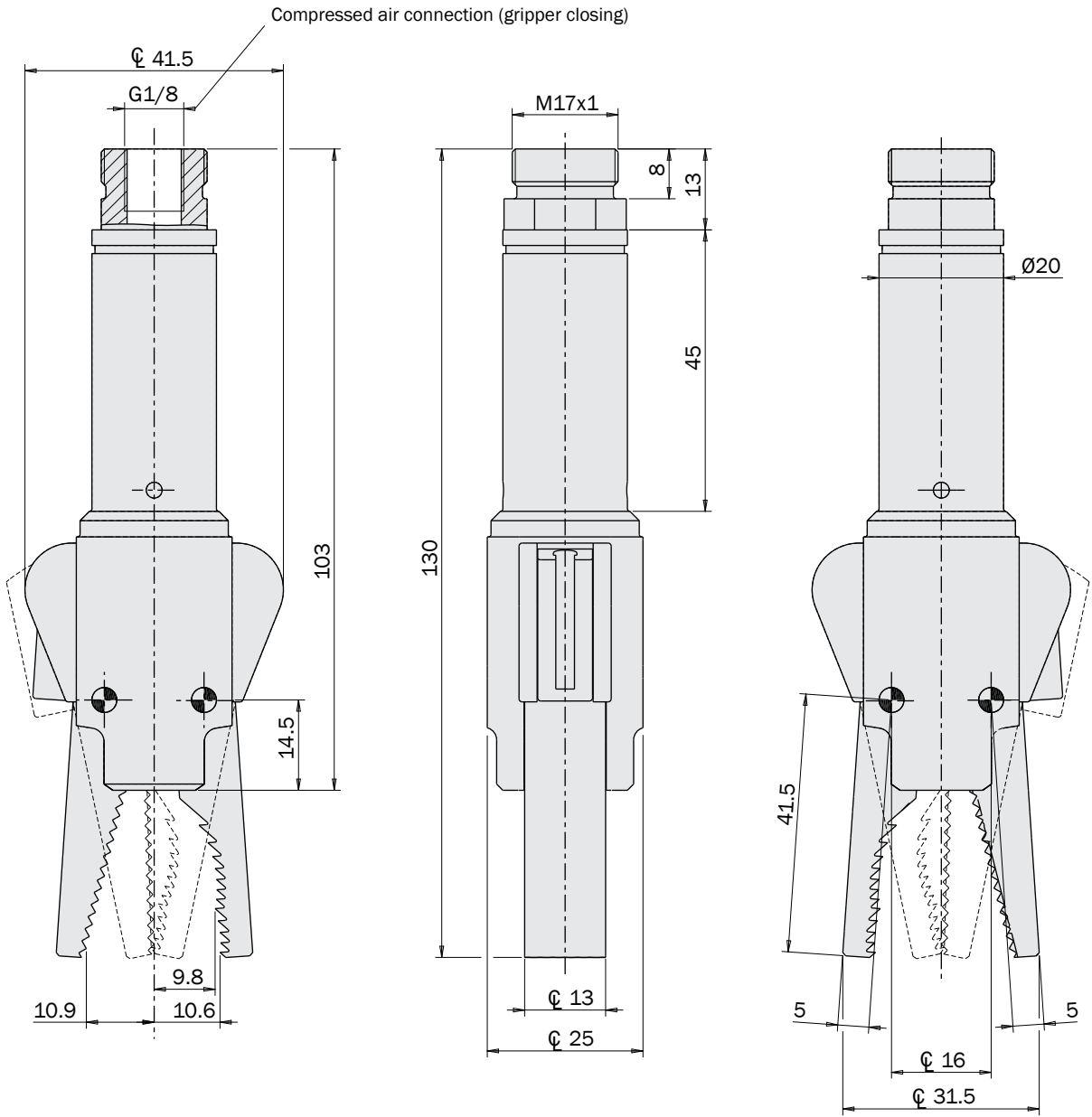
DD20-16L2



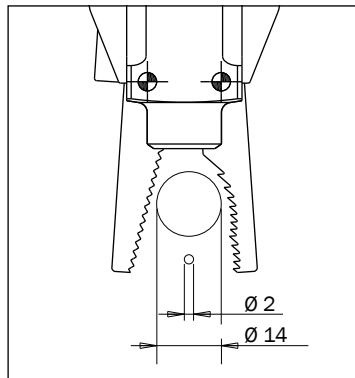


Dimensions (mm)

DD20-16W2



Sensor slot SS series

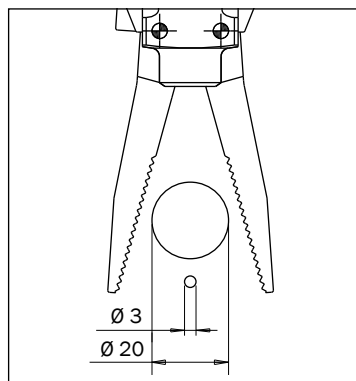
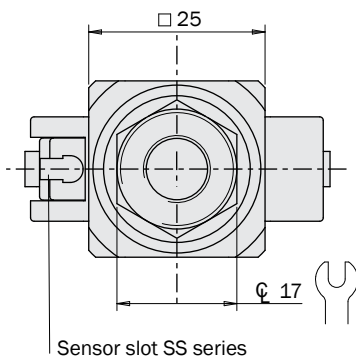
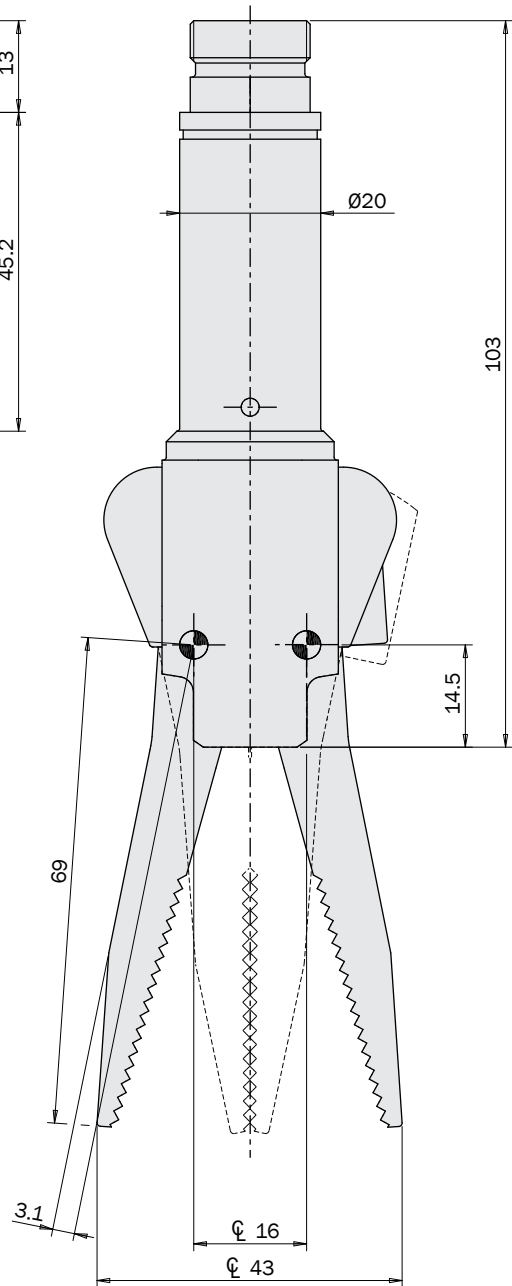
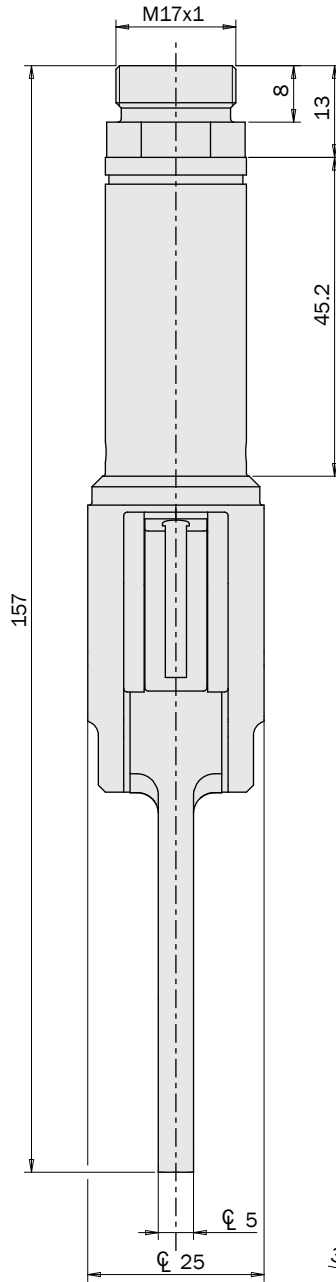
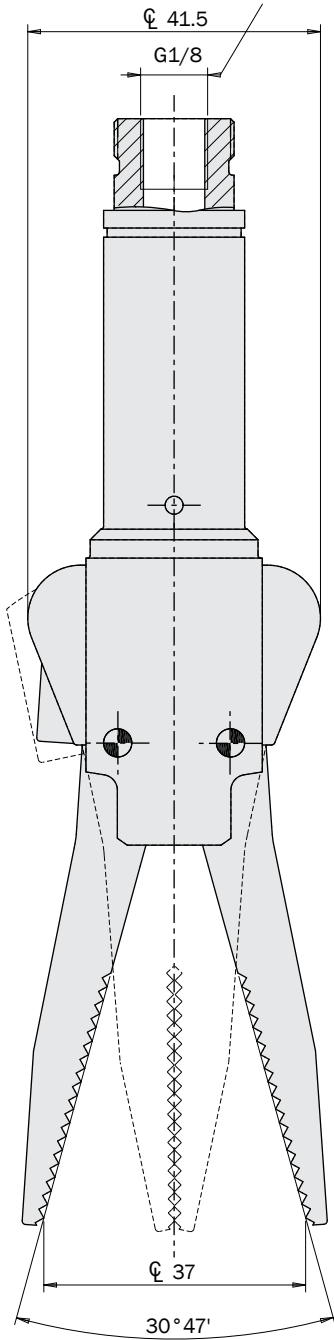


Dimensions (mm)

DD20-16B2

FIRST ANGLE PROJECTION

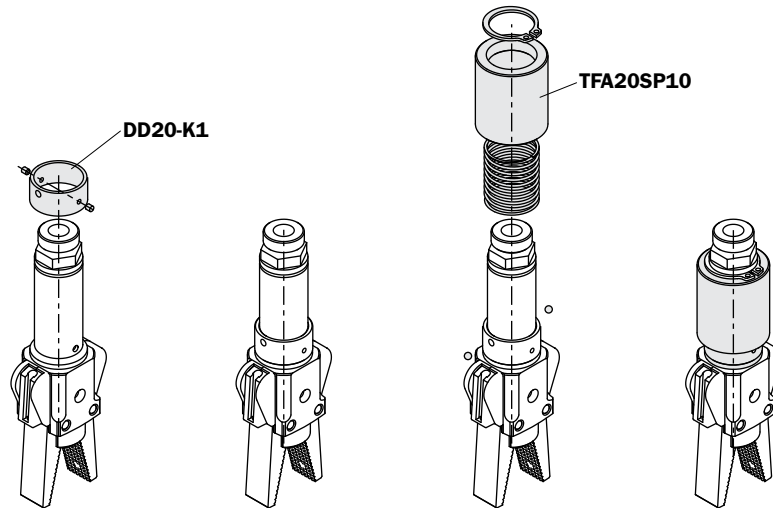
Compressed air connection (gripper closing)



Accessories

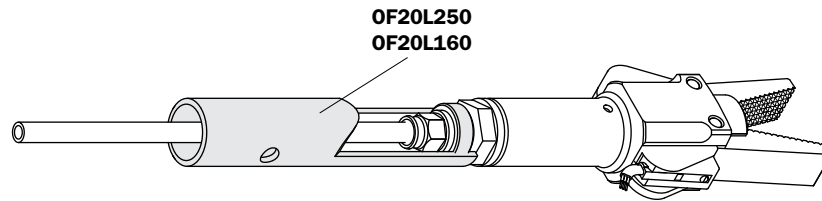
DD20-K1 + TFA20SP10

Suspension



OF20L...

Extension tube



DD20-16...

Spare pad for DD20-16L2



DD20-16P-13
HNBR 60Sh.A

DD20-16P-13F
HNBR 60Sh.A
Flocked

DD20-16P-10
TPU 70Sh.A

DD20-16P-17
PU 70Sh.A

3D...
Customised with the new 3D printing
service (PA12)