

Air nipper actuators series GN

- Five sizes available.
- Single-acting.
- Self-centering.
- Usable with several standard blades.
- Magnetic pistons for sensor detection (GN...S only).
- Optional magnetic sensors.

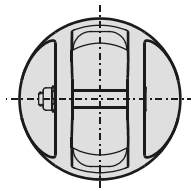
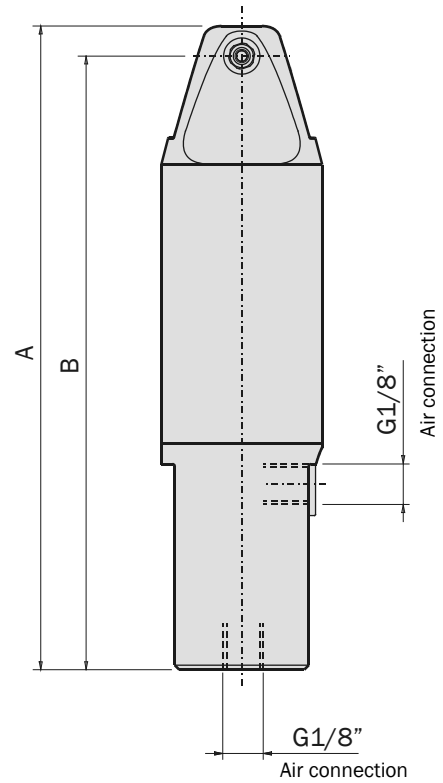
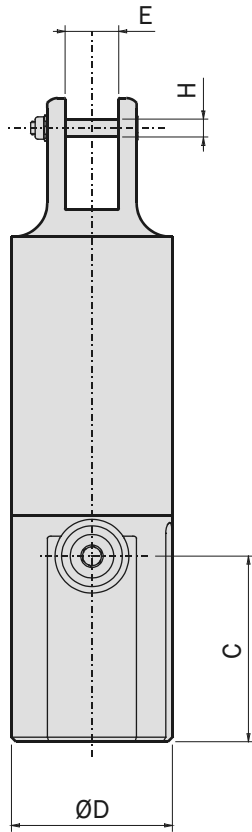
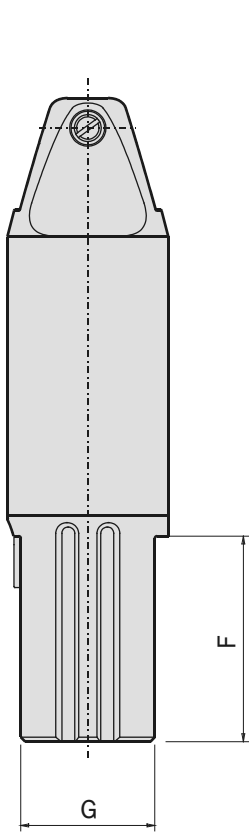
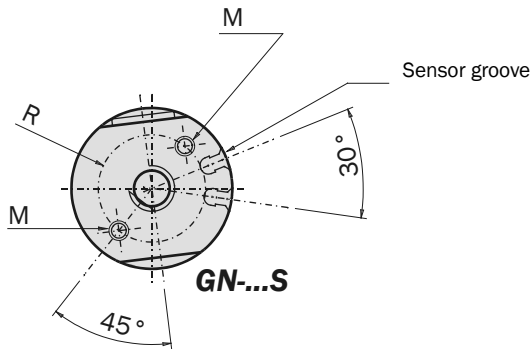
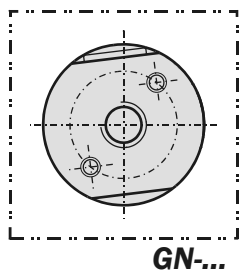


[Click for Pricing & Add to Cart](#)

	GN-05 GN-05S	GN-10 GN-10S	GN-20 GN-20S	GN-30 GN-30S	GN-50 GN-50S
Medium	Compressed air in compliance with ISO 8573-1:2010 [7:4:4]				
Pressure range	2 ÷ 8 bar				
Temperature range	5° ÷ 60 °C				
Cutting capacity	Ø2 mm	Ø4 mm	Ø7 mm	Ø10 mm	Ø12 mm
Stroke	2x7°	2x5°	2x7°	2x7.5°	2x12°
Piston bore	Ø25 mm	Ø30 mm	Ø40 mm	Ø50 mm	Ø63 mm
Closing torque at 6 bar each blade	11 Nm	38 Nm	67 Nm	150 Nm	116 Nm
Total closing torque at 6 bar	22 Nm	76 Nm	134 Nm	300 Nm	232 Nm
Cycle air consumption	14 cm ³	25 cm ³	78 cm ³	170 cm ³	269 cm ³
Weight without blade	102 g 125 g	157 g 208 g	263 g 370 g	480 g 715 g	1100 g 1440 g

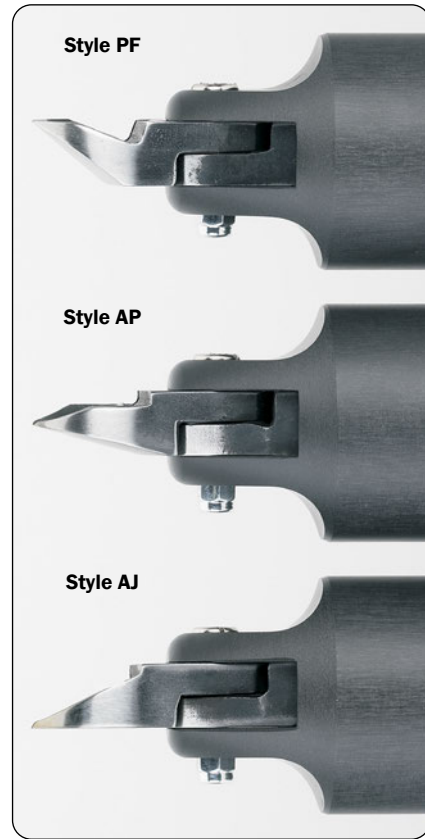
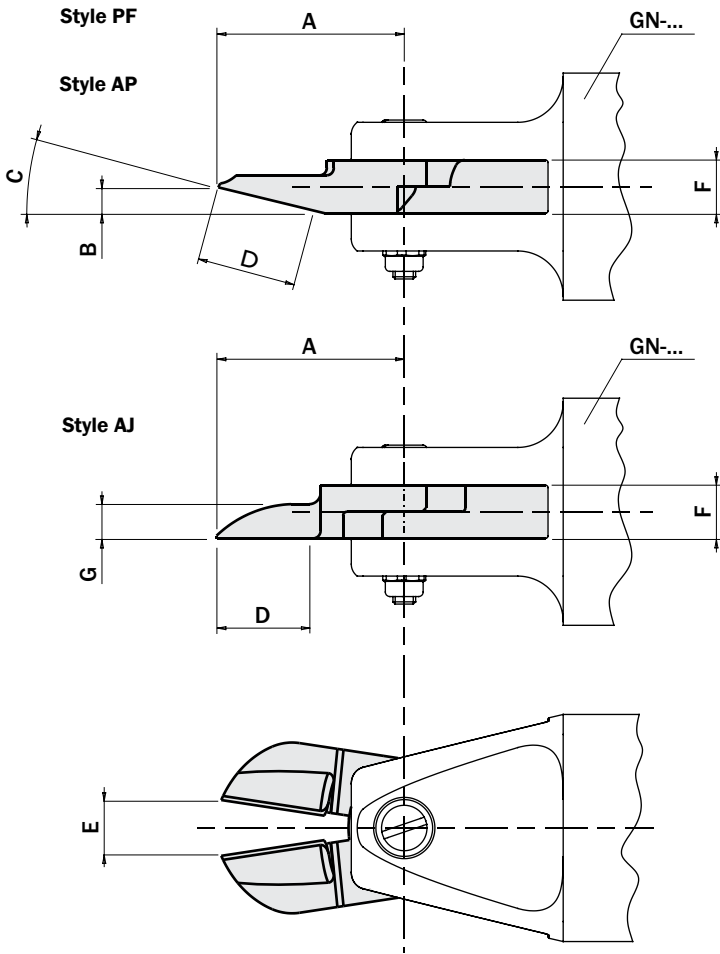
Dimensions (mm)

	A	B	C	D	E	F	G	H	M	R
GN-05	94	87	10.5	Ø30	7	15	24	Ø4	M4x6.5	R 10
GN-05S	118	111	34.5	Ø30	7	40	24	Ø4	M4x6.5	R 10
GN-10	113	106.3	10.5	Ø36	12	15	30	Ø4	M4x7	R 12
GN-10S	144	137.3	41.5	Ø36	12	46	30	Ø4	M4x7	R 12
GN-20	129	119.8	10.5	Ø45	12	15	36	Ø4	M5x8	R 15
GN-20S	177	167.8	58.5	Ø45	12	63	36	Ø4	M5x8	R 15
GN-30	165	155	10.5	Ø56	17	15	46	Ø5	M6x12	R 20
GN-30S	230	220	75	Ø56	17	80	46	Ø5	M6x12	R 20
GN-50	178	169	10.5	Ø75	17	15	70	Ø5	M6x12	R 25
GN-50S	238	229	70	Ø75	17	75	70	Ø5	M6x12	R 25



FIRST ANGLE PROJECTION

Standard blades

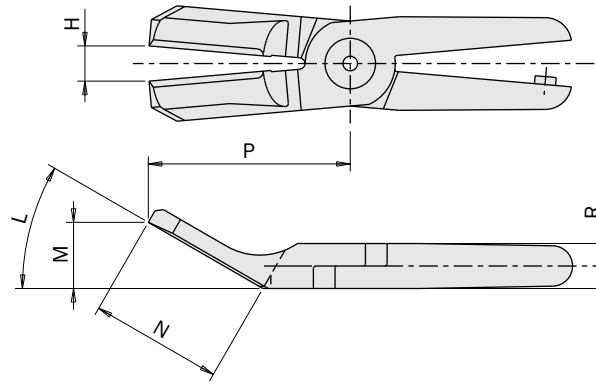


Blades	Nipper	Blade style	A	B	C	D	E	F	G	Weight
G.N5AJ	GN-05...	inline	24	-	-	13	4	7	4.5	33 g
G.N5AP	GN-05...	standard	24	3.6	15°	11.5	4	7	-	34 g
G.N5PF	GN-05...	deep angle	24	7	40°	9.7	4	7	-	35 g
G.N10LAJ	GN-10...	long inline	35	-	-	18	6	12	8	117 g
G.N10LAP	GN-10...	long, standard	36	5.3	15°	16	6	12	-	115 g
G.N10LPF	GN-10...	long, deep angle	35	12	40°	13.5	6	12	-	112 g
G.N20AJ	GN-20...	inline	34.5	-	-	18	12	12	8	121 g
G.N20AP	GN-20...	standard	35	3.5	15°	16	11.5	12	-	120 g
G.N20PF	GN-20...	deep angle	35	12	40°	13.5	11.5	12	-	124 g
G.N20AJL	GN-20...	long inline	65	-	-	20	15	12	7.2	220 g
G.N30AJ	GN-30... GN-50...	inline	52	-	-	30	12 22	17	8	365 g
G.N30AP	GN-30... GN-50...	standard	67	11	15°	38	18 30	17	-	380 g
G.N30PF	GN-30... GN-50...	deep angle	58	17	30°	27	16 26.5	17	-	388 g

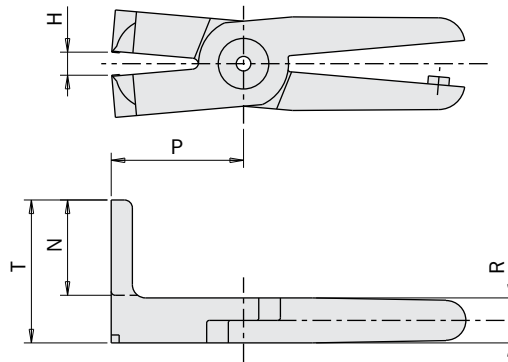
Rotary Units, Quick Changer, Profiles and Brackets, Grippers, Linear Actuators, Suspensions, Nippers, Robot Kit, Options, Sensors

Special blades

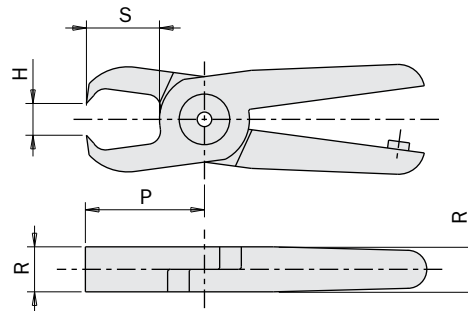
Style AA



Style AL



Style AE



Blades	Nipper	Blade style	H	L	M	N	P	R	S	T	Weight
G.N10LAB152	GN-10...	AA	10	15°	9	35	60.5	12	-	-	165 g
G.N20AB360	GN-20...	AA	15	15°	9	35	60.5	12	-	-	185 g
G.N30AA114	GN-30... GN-50...	AA	20 34	30°	25	50	76	17	-	-	385 g
G.N30AA	GN-30... GN-50...	AA	15 26	60°	27.7	32	55	17	-	-	390 g
G.N20ALLLL	GN-20...	AL	11	-	-	18	40	12	-	30	190 g
G.N30FAL	GN-30... GN-50...	AL	14 24	-	-	35	50	17	-	54	455 g
G.N10LAE269	GN-10...	AE	5	-	-	-	28	12	15.5	-	120 g
G.N20AE	GN-20...	AE	8.5	-	-	-	28	12	15.5	-	135 g
G.N30AE	GN-30... GN-50...	AE	12 20	-	-	-	45	17	28	-	395 g

Consult manufacturer if a different kind of blade is needed.

Blade protection covers

Most of the blades can be protected by covers to avoid injuries when not used.

The covers are supplied with the blades or in 10 pieces packages (*).

When removed from the blades, the covers can be stored by their nut or by a chain.

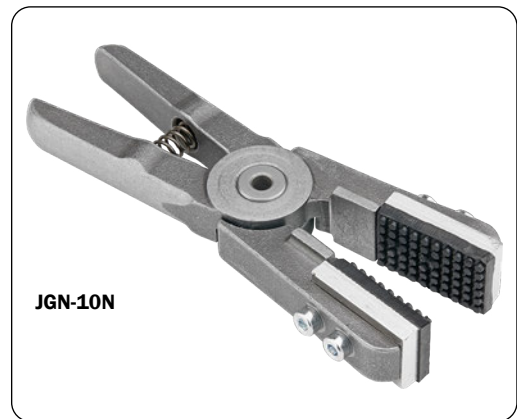
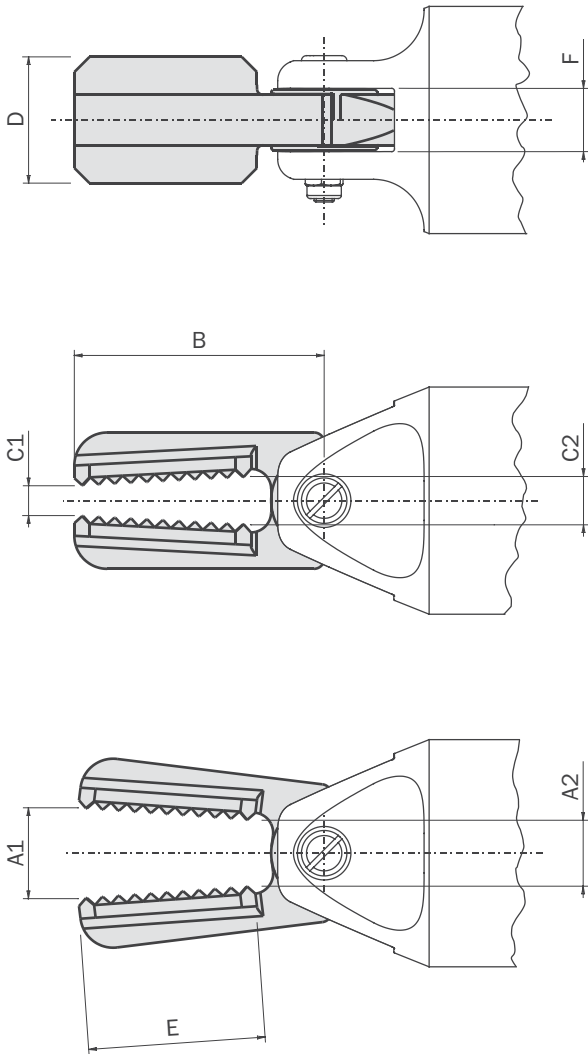


Blade	Protection cover
G.N5AJ	COJ05
G.N5AP	COJ05
G.N5PF	COJ05
G.N10LAB152	-
G.N10LAE269	COJ12
G.N10LAJ	COJ12
G.N10LAP	COJ12
G.N10LPF	COJ12
G.N20AB360	-
G.N20AE	COJ12
G.N20AJ	COJ12
G.N20AJL	-
G.N20ALLL	-
G.N20AP	COJ12
G.N20PF	COJ12
G.N30AA	-
G.N30AA114	-
G.N30AE	COJ30
G.N30AJ	COJ30
G.N30AP	COJ30
G.N30FAL	-
G.N30PF	COJ30

	COJ05-P10 (*)	COJ12-P10 (*)	COJ30-P10 (*)
Weight	20 g	50 g	150 g



Fingers



Fingers	Nipper	Pressure range	Finger style	A1 A2	B	C1 C2	D	E	F	Weight
JGW-10S-A50	GN-10...	2 ÷ 5 bar	wide	16 13	49.5	6 10	25	35	12	175 g
JGW-20S-A50	GN-20...	2 ÷ 5 bar	wide	18 13	49.5	6 9	25	35	12	185 g
JGN-10S-A52	GN-10...	2 ÷ 5 bar	narrow	10 8	49.5	0 3.5	25	35	12	190 g
JGN-20S-A52	GN-20...	2 ÷ 5 bar	narrow	9 7	49.5	0 3.5	25	35	12	200 g
JGN-10N	GN-10...	2 ÷ 5 bar	narrow	9 7	49.5	0 2	16	24	12	137 g