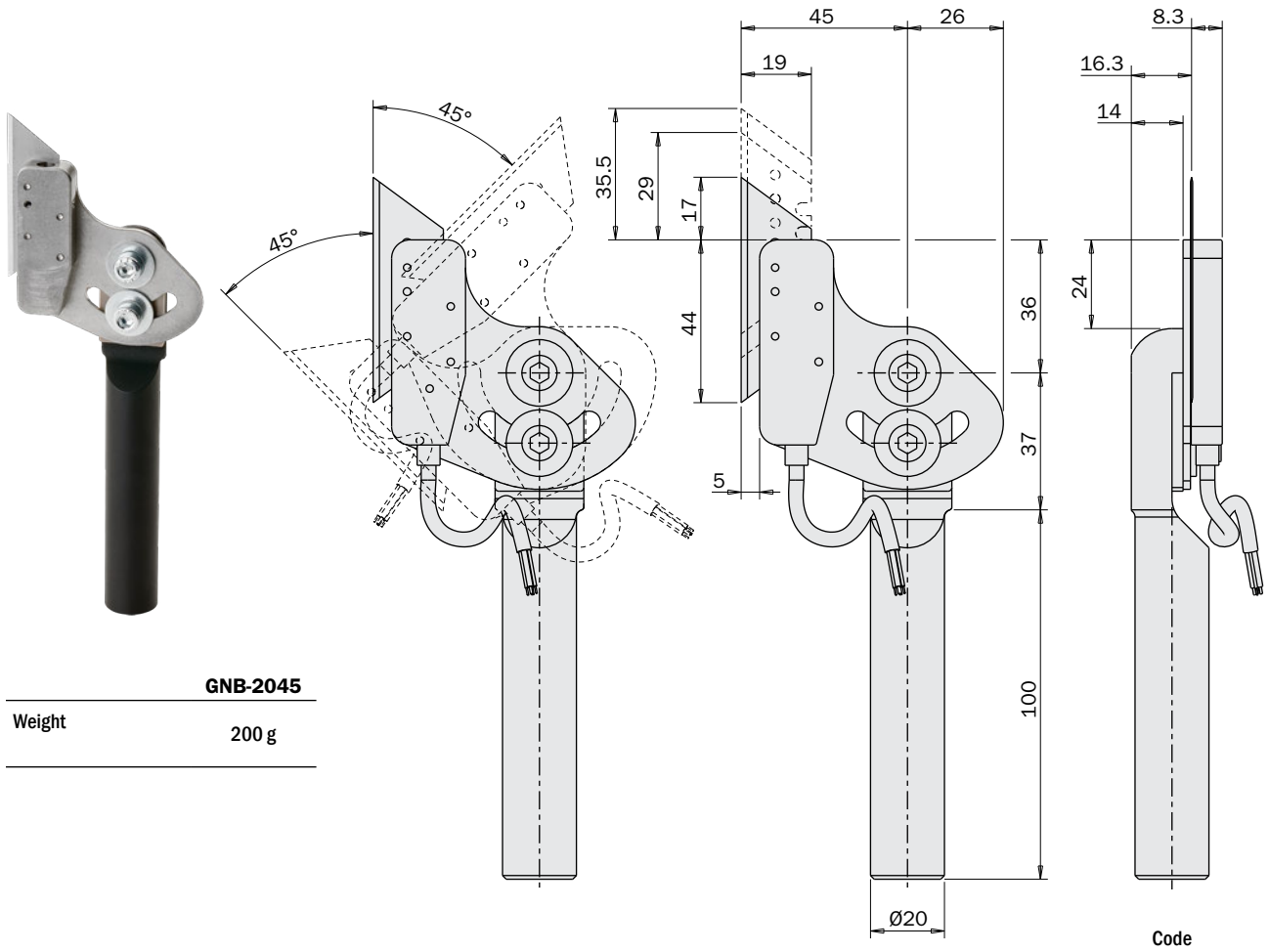


Blade holder

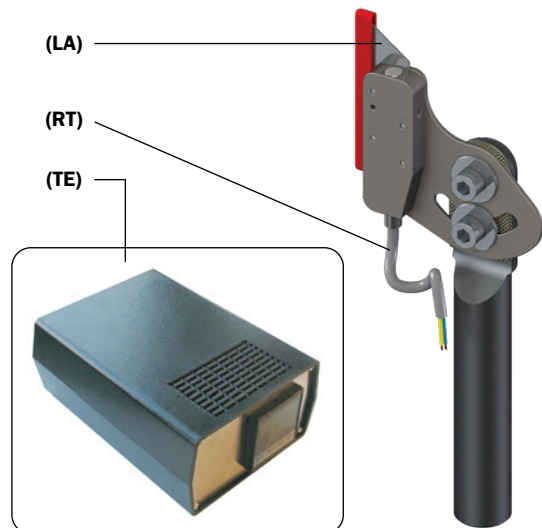
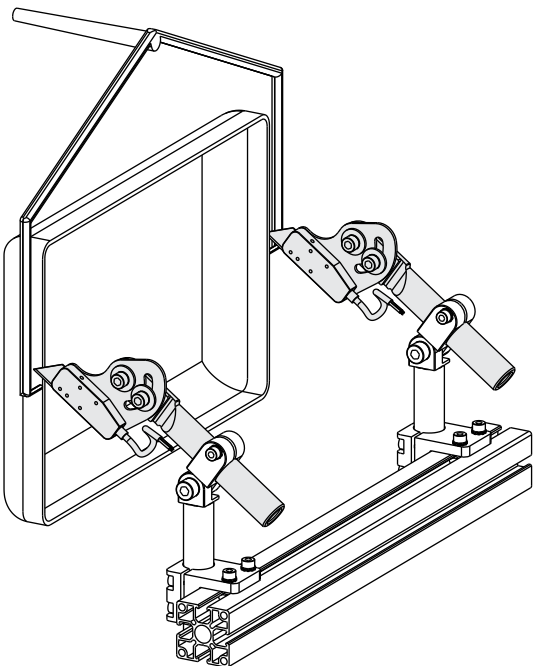
- Suitable for trimming, degating and deburring.
- Continuously adjustable angle from -45° to +45°.
- Optional heating system.



	GNB-2045
Weight	200 g

Application example

Spare blade (10 pieces package)	(LA)	376Y234-10
Cartridge resistance + thermocouple	(RT)	R60K-G
Temperature range		200÷400°C
Power		100W
Heater control box	(TE)	CH102-G



Rotary Units
Quick Changer
Profiles and Brackets
Grippers
Linear Actuators
Suspensions
Nippers
Robot Kit
Options
Sensors