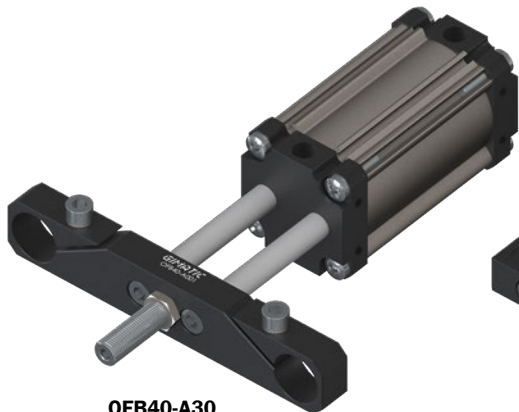
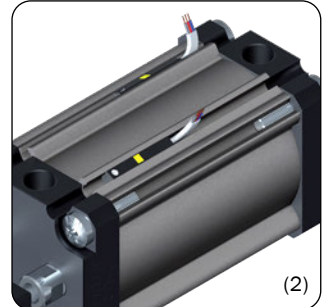
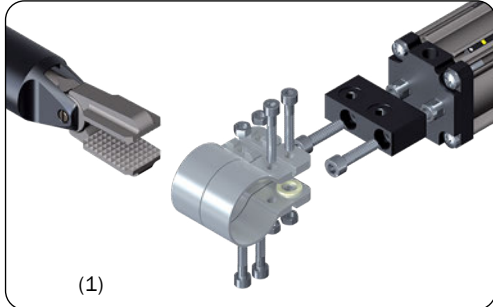


Guided cylinder with twin rods

- Double acting.
- Piston bore: 40mm.
- Stroke: 30mm or 50mm.
- Several mounting accessories (1).
- Optional magnetic sensors (2).
- FDA-H1 food-grade grease.



**OFB40-A30
OFB40-A50**



**OFB40-B30
OFB40-B50**



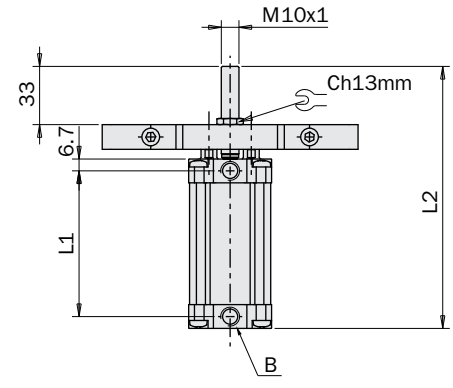
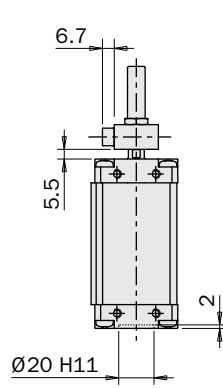
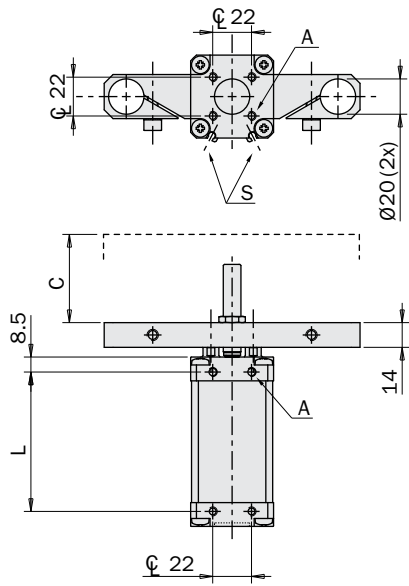
**OFB40-C30
OFB40-C50**

	OFB40-A30	OFB40-A50	OFB40-B30	OFB40-B50	OFB40-C30	OFB40-C50
Medium	Compressed air in compliance with ISO 8573-1:2010 [7:4:4]					
Pressure range	2 ÷ 8 bar					
Temperature range	5° ÷ 60 °C.					
Piston bore	Ø40 mm					
Retraction force at 6 bar	660 N					
Extension force at 6 bar	754 N					
Stroke (±0.3 mm)	30 mm	50 mm	30 mm	50 mm	30 mm	50 mm
Cycle air consumption	71 cm ³	118 cm ³	71 cm ³	118 cm ³	71 cm ³	118 cm ³
Weight	475 g	520 g	395 g	445 g	405 g	455 g

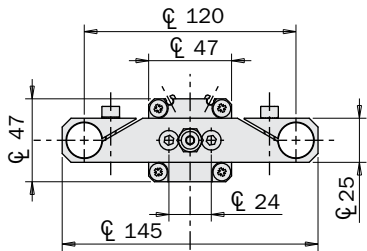
Dimensions (mm)

- A** Fastening holes
- B** Air connection port
- C** Stroke
- S** Magnetic sensor slot

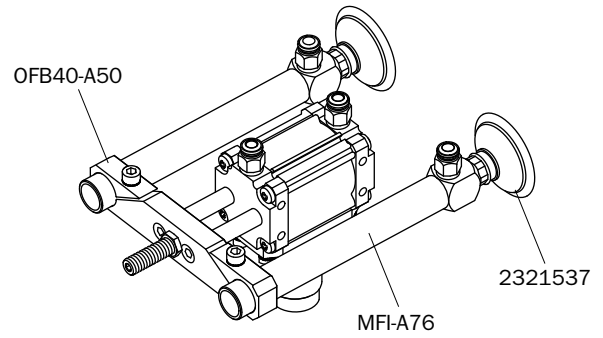
	OFB40-A30	OFB40-A50
A	M5x10	M5x10
B	1/8	1/8
C	30	50
L	59	79
L1	62.6	82.6
L2	128.5	148.5



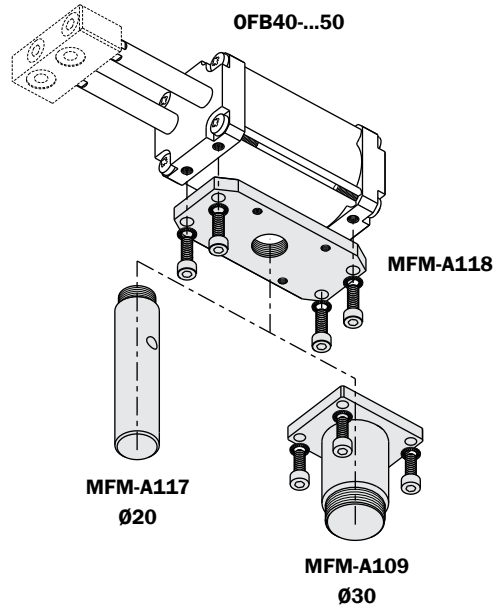
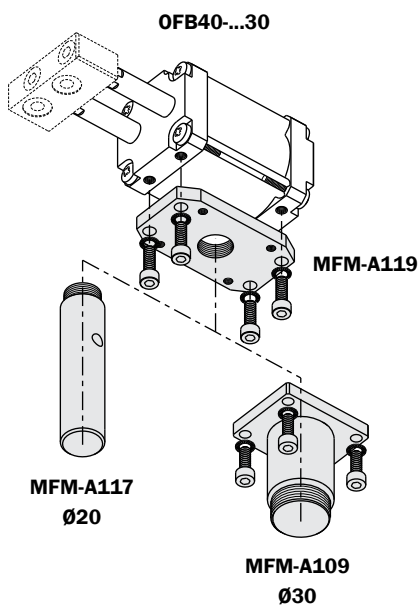
FIRST ANGLE PROJECTION



Application examples



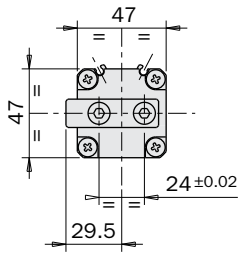
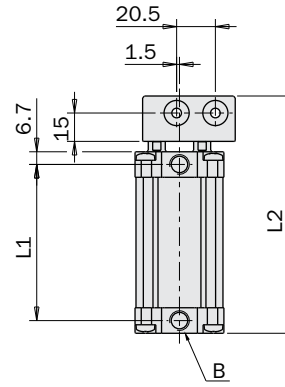
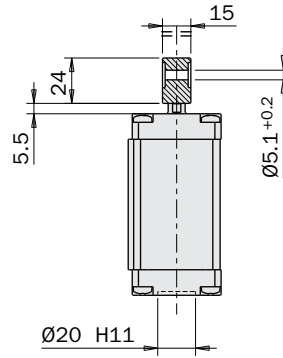
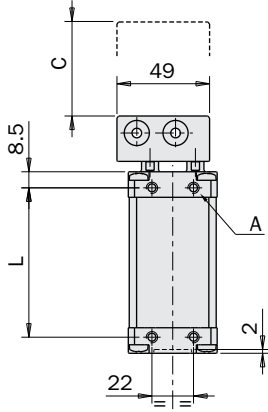
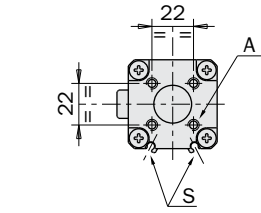
Cylinder mounting



Dimensions (mm)

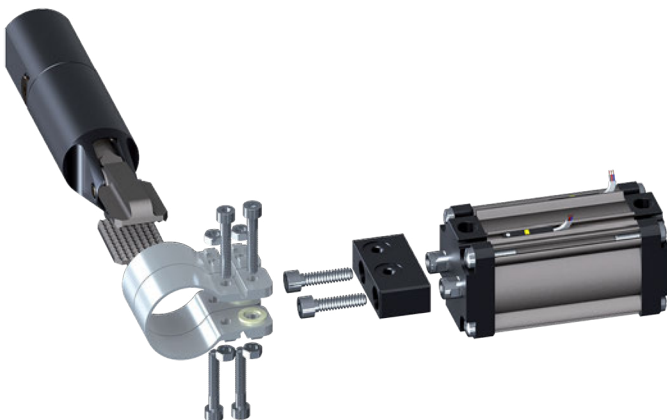
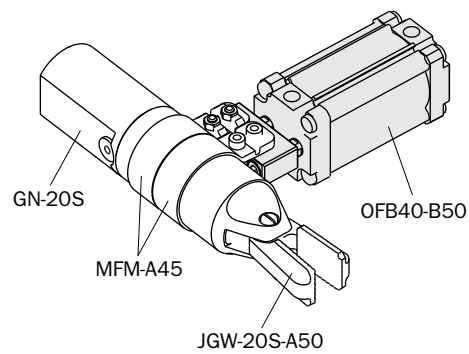
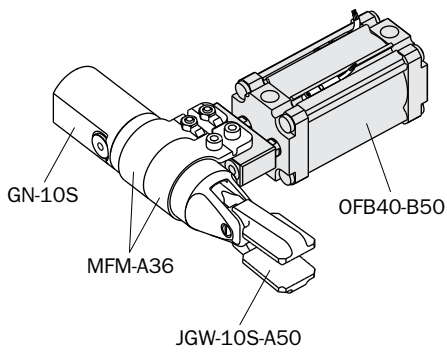
	OFB40-B30	OFB40-B50
A	M5x10	M5x10
B	1/8	1/8
C	30	50
L	59	79
L1	62.6	82.6
L2	105.5	125.5

FIRST ANGLE PROJECTION



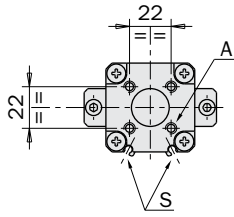
- A** Fastening holes
- B** Air connection port
- C** Stroke
- S** Magnetic sensor slot

Application examples



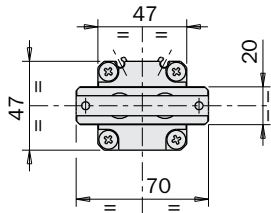
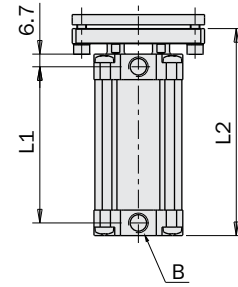
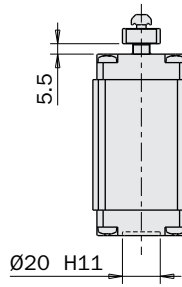
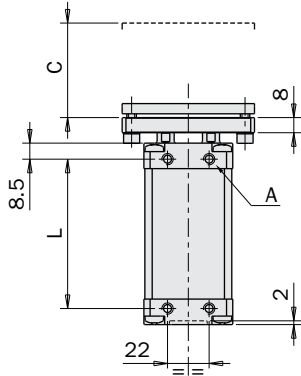
Rotary Units
Quick Changer
Profiles and Brackets
Grippers
Linear Actuators
Suspensions
Nippers
Robot Kit
Options
Sensors

Dimensions (mm)



	OFB40-C30	OFB40-C50
A	M5x10	M5x10
B	1/8	1/8
C	30	50
L	59	79
L1	62.6	82.6
L2	89.5	109.5

FIRST ANGLE PROJECTION



- A** Fastening holes
- B** Air connection port
- C** Stroke
- S** Magnetic sensor slot

Application examples

